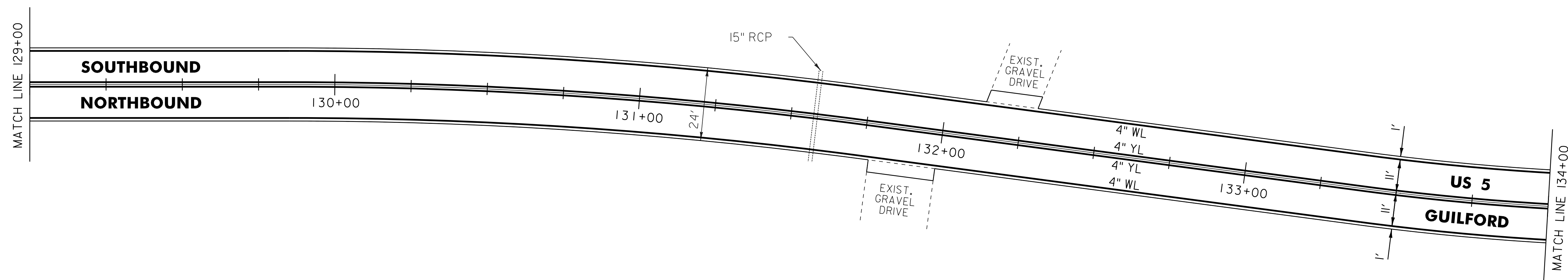
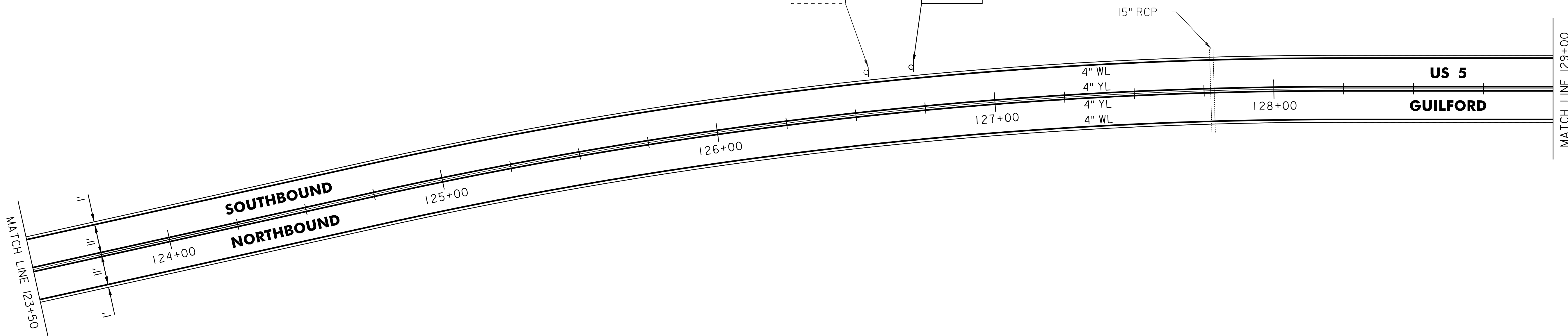
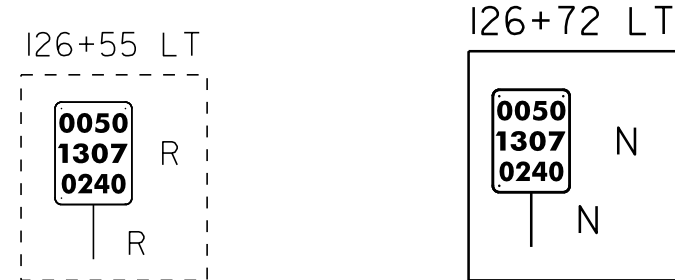


646.602 TEMPORARY 4" WHITE LINE, PAINT
 646.402 DURABLE 4" WHITE LINE, THERMOPLASTIC
 123+50 TO 134+00 SOLID LT
 123+50 TO 134+00 SOLID RT

646.612 TEMPORARY 4" YELLOW LINE, PAINT
 646.412 DURABLE 4" YELLOW LINE, THERMOPLASTIC
 123+50 TO 134+00 SOLID LT & RT

675.50 REMOVING SIGNS
 AS SHOWN - 1



- LEGEND**
- R = REMOVE EXISTING
 - S = SALVAGE
 - R&S = REMOVE AND SALVAGE
 - N = NEW
 - RET = RETAIN
 - B-B = BACK TO BACK
 - = EXISTING GUARDRAIL
 - = PROPOSED GUARDRAIL
 - YL = YELLOW LINE
 - WL = WHITE LINE
 - = DELINEATOR

ROADWAY LAYOUT 14

PROJECT NAME: GUILFORD-BRATTLEBORO
 PROJECT NUMBER: STP 2707(1)

FILE NAME: /pave/07cl66/pcl66
 PROJECT LEADER: PTS
 DESIGNED BY: NULL
 IPARM FILE NAME: 07Cl66.33

PLOT DATE: 29-JAN-2013 11:41
 DRAWN BY: WWG
 CHECKED BY: NULL/PTS
 SHEET 33 OF 97

NOT TO SCALE