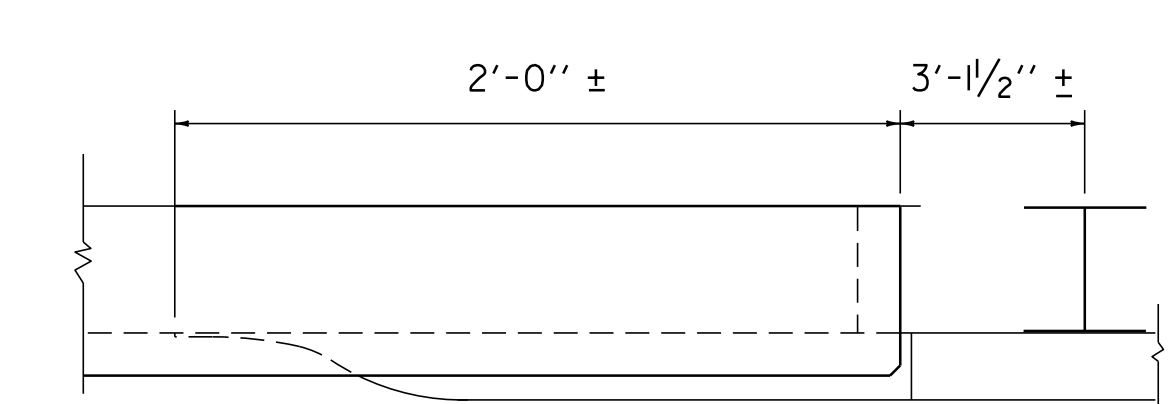
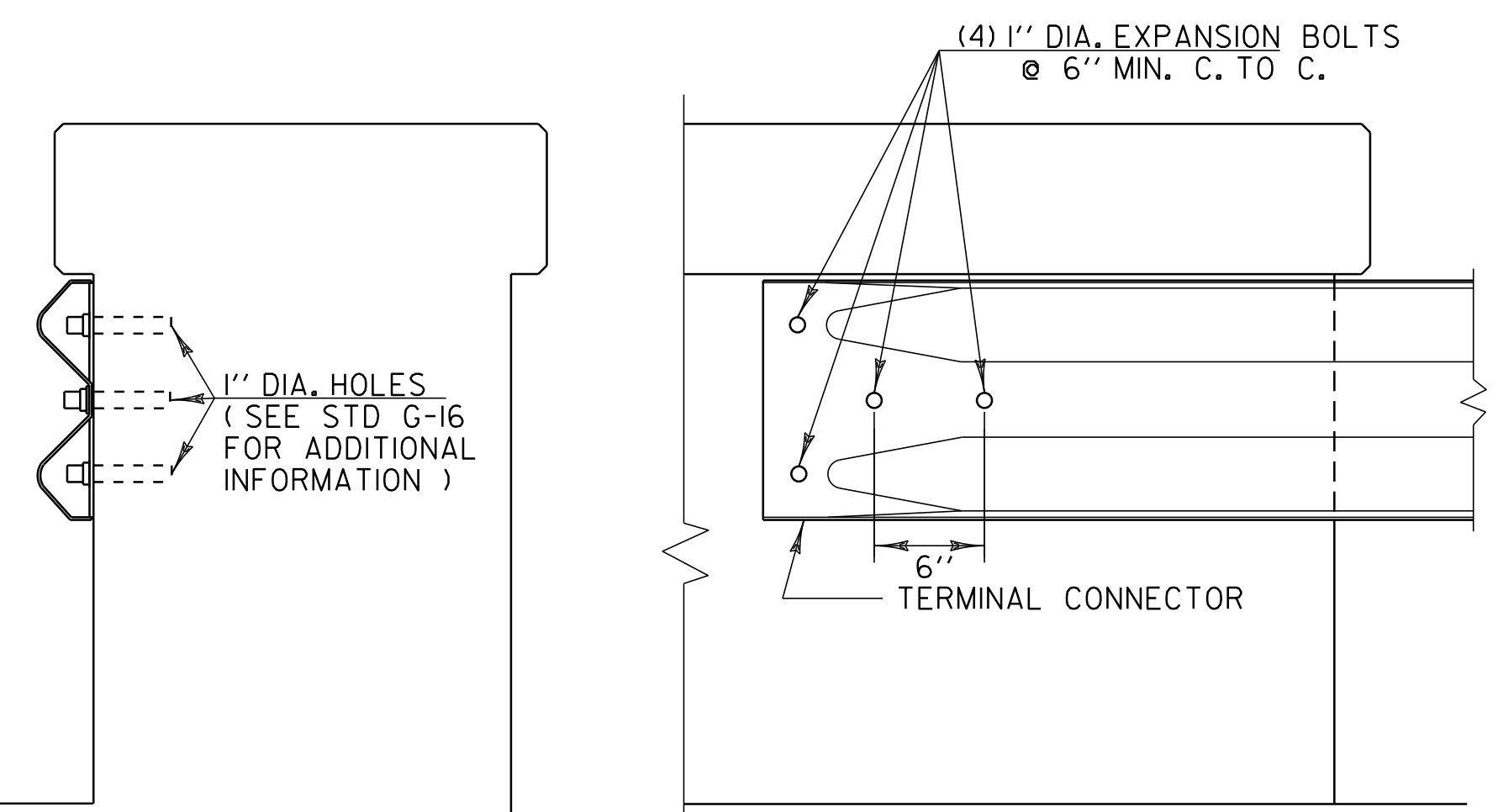
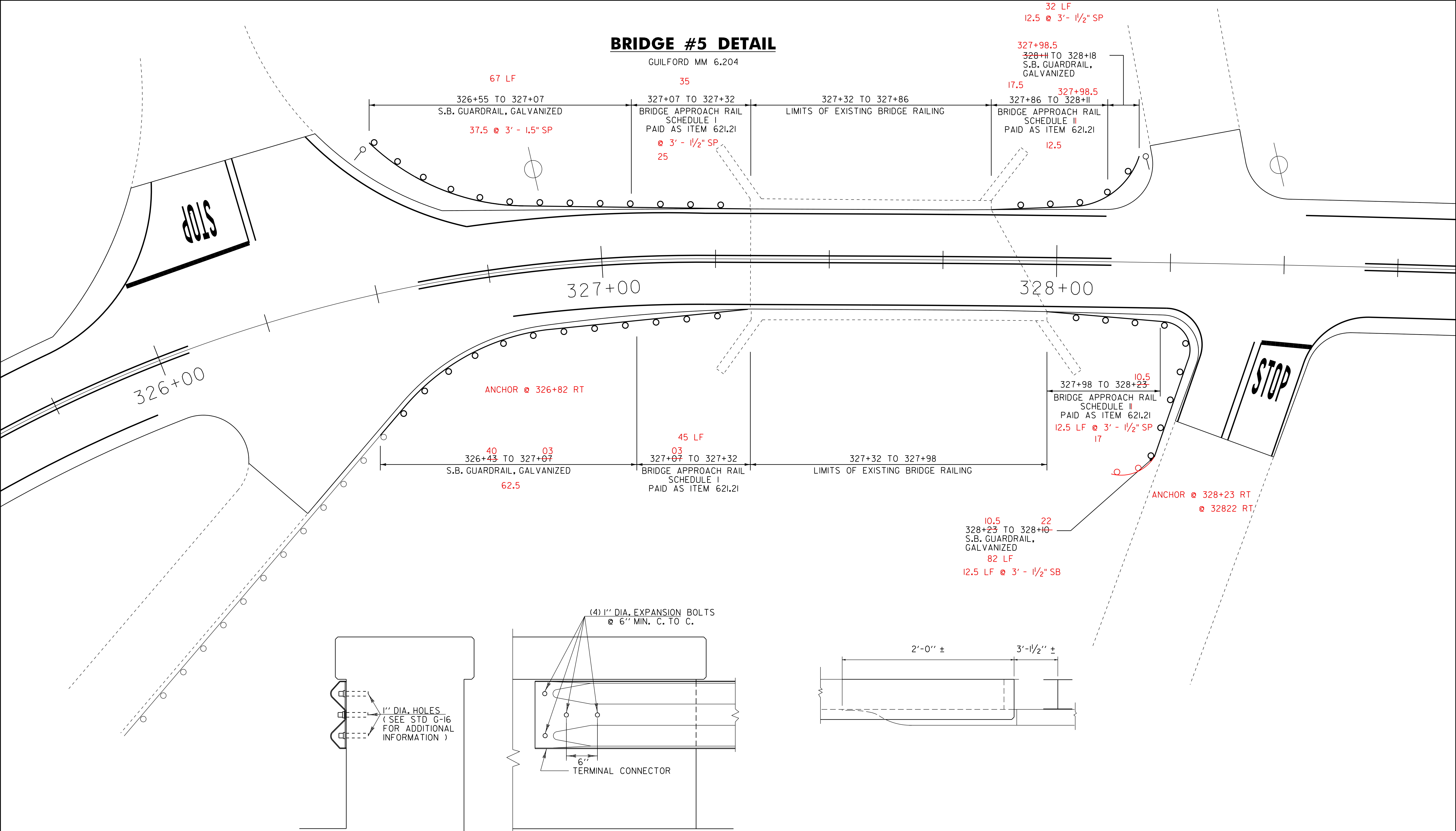


BRIDGE #5 DETAIL

GUILFORD MM 6.204



TERMINAL CONNECTION TO SOLID RAIL DETAIL

NOT TO SCALE

BRIDGE #5 DETAIL SHEET

PROJECT NAME: GUILFORD-BRATTLEBORO	PLOT DATE: 29-JAN-2013 11:40
PROJECT NUMBER: STP 2707(1)	DRAWN BY: WWG
FILE NAME: /pave/07cl66/pcl66	CHECKED BY: NLL/PTS
PROJECT LEADER: PTS	SHEET 12 OF 97
DESIGNED BY: NLL	
IPARM FILE NAME: 07C166.I2	