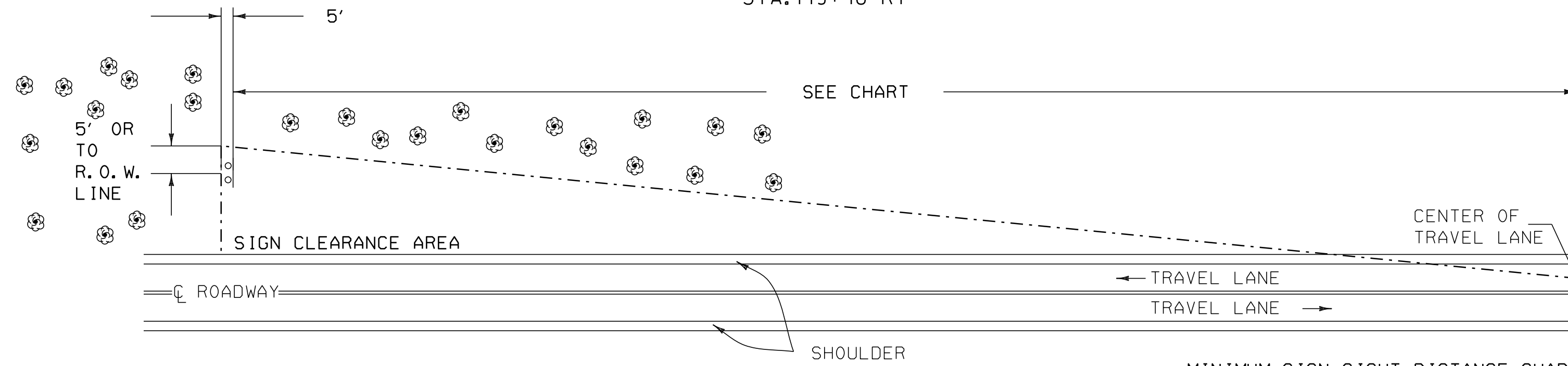


REDUCED SPACING GUARDRAIL DETAIL

OBJECTS WITHIN 4' OF GUARDRAIL

FAIRFAX
 STA. 81+68 RT
 STA. 93+25 RT
 STA. 96+05 RT
 STA. 149+48 RT



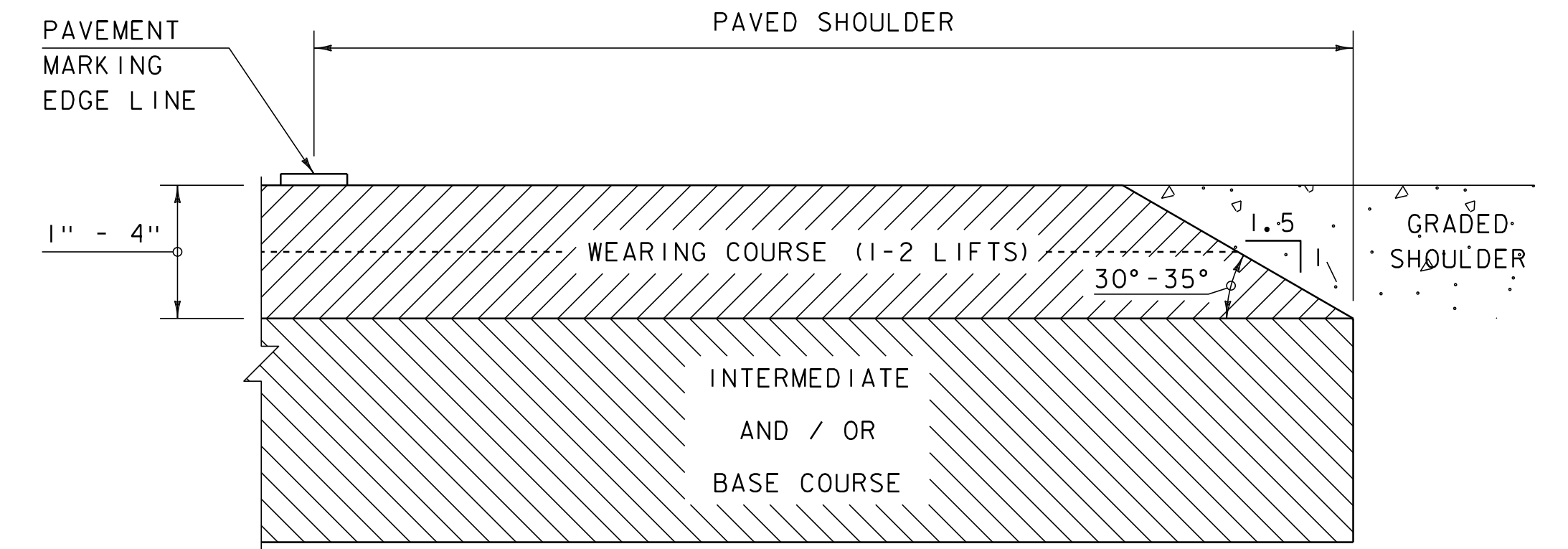
THE CONTRACTOR SHALL REMOVE ALL WOODY STEMMED GROWTH INCLUDING BRUSH, SAPLINGS AND TREE LIMBS GROWING WITHIN OR PROJECTING INTO THE CLEARANCE AREA AND DOWN TO GROUND LEVEL OR AT LEAST 10 FT BELOW THE BOTTOM OF THE SIGN. PAYMENT WILL BE MADE UNDER ITEM 201.31 THINNING AND TRIMMING FOR SIGNS. NO CHEMICALS (POISONS OR DEFOLIANTS) ALLOWED.

THINNING AND TRIMMING FOR SIGNS DETAIL

FAIRFAX
 STA. 8+00 RT

MINIMUM SIGN SIGHT DISTANCE CHART

APPROACH SPEED (mph)	SIGHT DISTANCE (feet)
30 OR LESS	300
35	350
40	400
45	450
50	500
55	550



SAFETY EDGE DETAIL

NOT TO SCALE

NOTE: LEVELING COURSE MAY INCLUDE THE "SAFETY EDGE" AT THE CONTRACTOR'S CHOICE.

NOT TO SCALE

**PROJECT
 TYPICAL
 SHEET 4**

PROJECT NAME: CAMBRIDGE-FAIRFAX

PROJECT NUMBER: STP 2713(I)

FILE NAME: p07B182.dgn

PROJECT LEADER: CDL

DESIGNED BY: CDL

PLOT FILE: p07B182_6.i

PLOT DATE: 29-DEC-2014 13:45

DRAWN BY: SJL

CHECKED BY: EPD

SHEET 6 OF 36