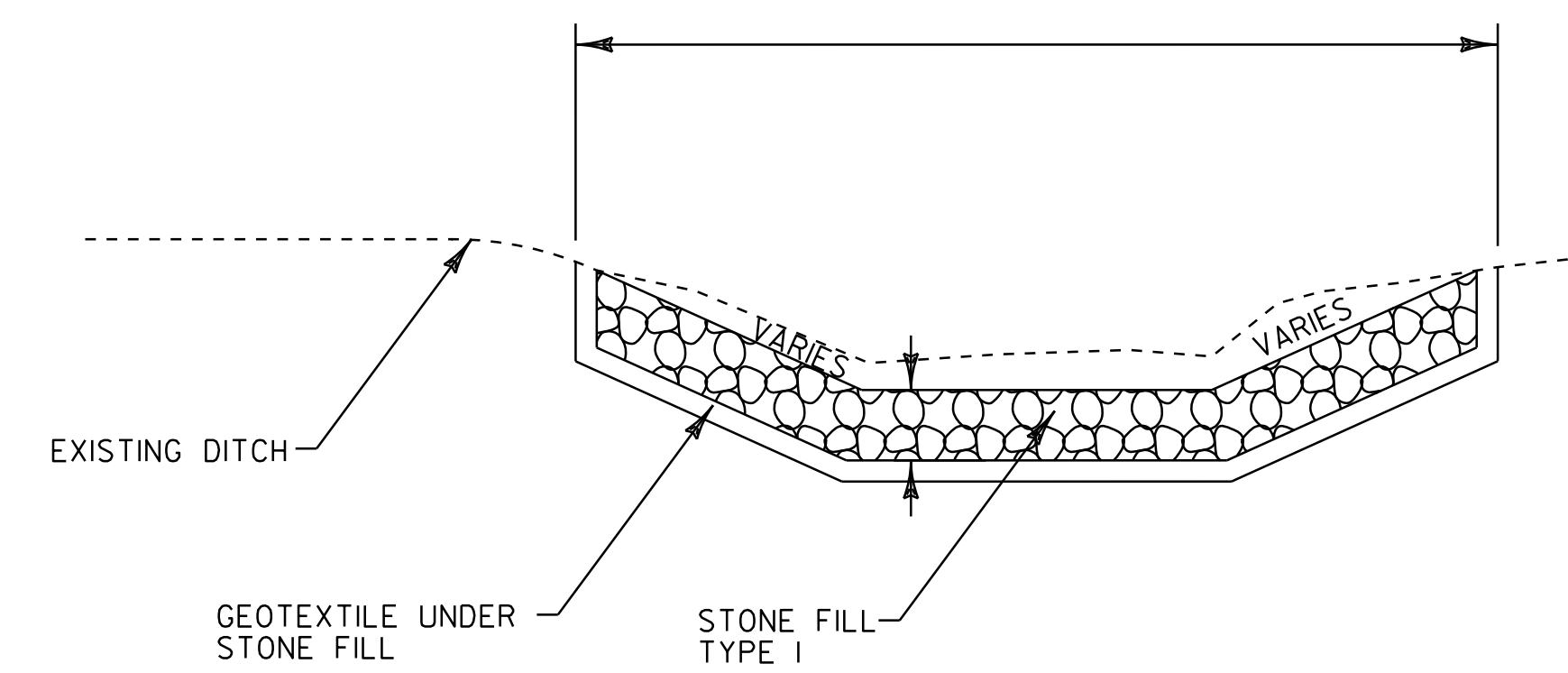


LOCATION				FEET OF DITCHING			MISC. ITEMS			REMARKS
SITE	MILE MARKER	MILE MARKER	POS.	PERCENT GRADE			STONE FILL TYP. I	GEOT. UNDER STONE FILL	TEMP. EROS. MATT.	
				0-1	1-2.5	2.5-10				
				613.10	649.31	653.20				
VT ROUTE 105 SHELDON							CY	SY	SY	
1	2.26	2.51	RT			1320	196	880		
2	2.70	2.71	LT&RT		106				47	
3	2.70	2.95	LT		1320				587	
4	2.92	2.93	RT		53				24	
5	2.95	2.96	RT		53				24	
6	2.98	2.99	LT		53				24	
7	3.74	3.76	LT		106				47	
8	3.85	3.86	LT&RT		106				47	
9	3.89	3.90	RT		53				24	
10	4.43	4.54	RT		581				258	
11	7.58	7.79	LT		1109				493	
12	8.37	8.60	LT&RT		2428				1079	
13	9.21	9.61	LT		2112				939	
14	10.00	10.18	LT		950				422	
15	10.92	10.97	LT		264				117	
PROJECT SUBTOTALS (EST.)					9294	1320	196	880	4132	
ROUNDING					-	-	-	-	-	
PROJECT TOTALS					9294	1320	196	880	4132	

LOCATION				FEET OF DITCHING			MISC. ITEMS			REMARKS
SITE	STATION	STATION	POS.	PERCENT GRADE			STONE FILL TYP. I	GEOT. UNDER STONE FILL	TEMP. EROS. MATT.	
				0-1	1-2.5	2.5-10				
				613.10	649.31	653.20				
							CY	SY	SY	



**DITCH DETAIL**

- NOTES:
- PIPE INLET AND OUTLET AREAS, AND DITCH CLEANING THROUGHOUT THE PROJECT, SHALL BE PERFORMED AT LOCATIONS AND AS DIRECTED BY THE RESIDENT ENGINEER. PAYMENT WILL BE UNDER THE APPLICABLE EQUIPMENT RENTAL ITEM(S).
  - ESTIMATED QUANTITIES OF TEMPORARY EROSION MATTING, SEED, AND STONE FILL, TYPE I HAVE BEEN INCLUDED. DITCHES WITH A GRADE LESS THAN 1 PERCENT SHALL BE SEEDED. TEMPORARY EROSION MATTING SHALL BE USED IN ALL DITCHES WITH A GRADE BETWEEN 1 AND 2.5 PERCENT. STONE FILL, TYPE I SHALL BE USED IN ALL DITCHES WITH A GRADE 2.5 PERCENT OR GREATER OR AS DIRECTED BY THE RESIDENT ENGINEER.
  - THE COST FOR PLACING AND SHAPING OF STONE FILL TYPE I TO BE INCLUDED IN THE UNIT PRICE BID FOR ITEM 613.10.



<b>DITCH CLEANING DETAIL SHEET</b>	PROJECT NAME: SHELDON-ENOSBURG
	PROJECT NUMBER: STP 2714(I)
	FILE NAME: p07b180.dgn
	PLOT DATE: 07-NOV-2011 16:46
PROJECT LEADER: JLL	DRAWN BY: STANTEC
DESIGNED BY: STANTEC	CHECKED BY: JLL
IPARM FILE: p07b180dcs.i	SHEET 11 OF 29