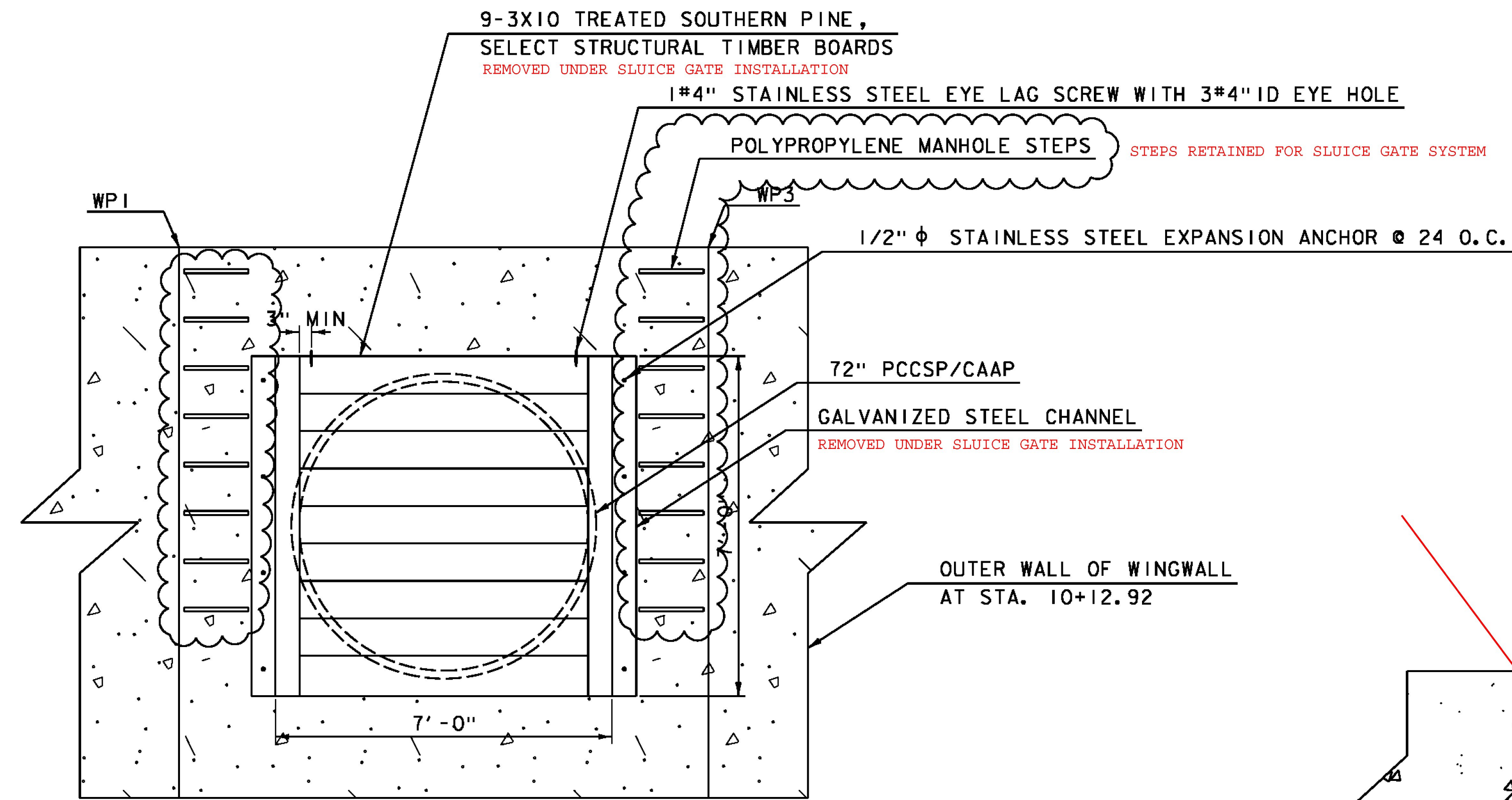
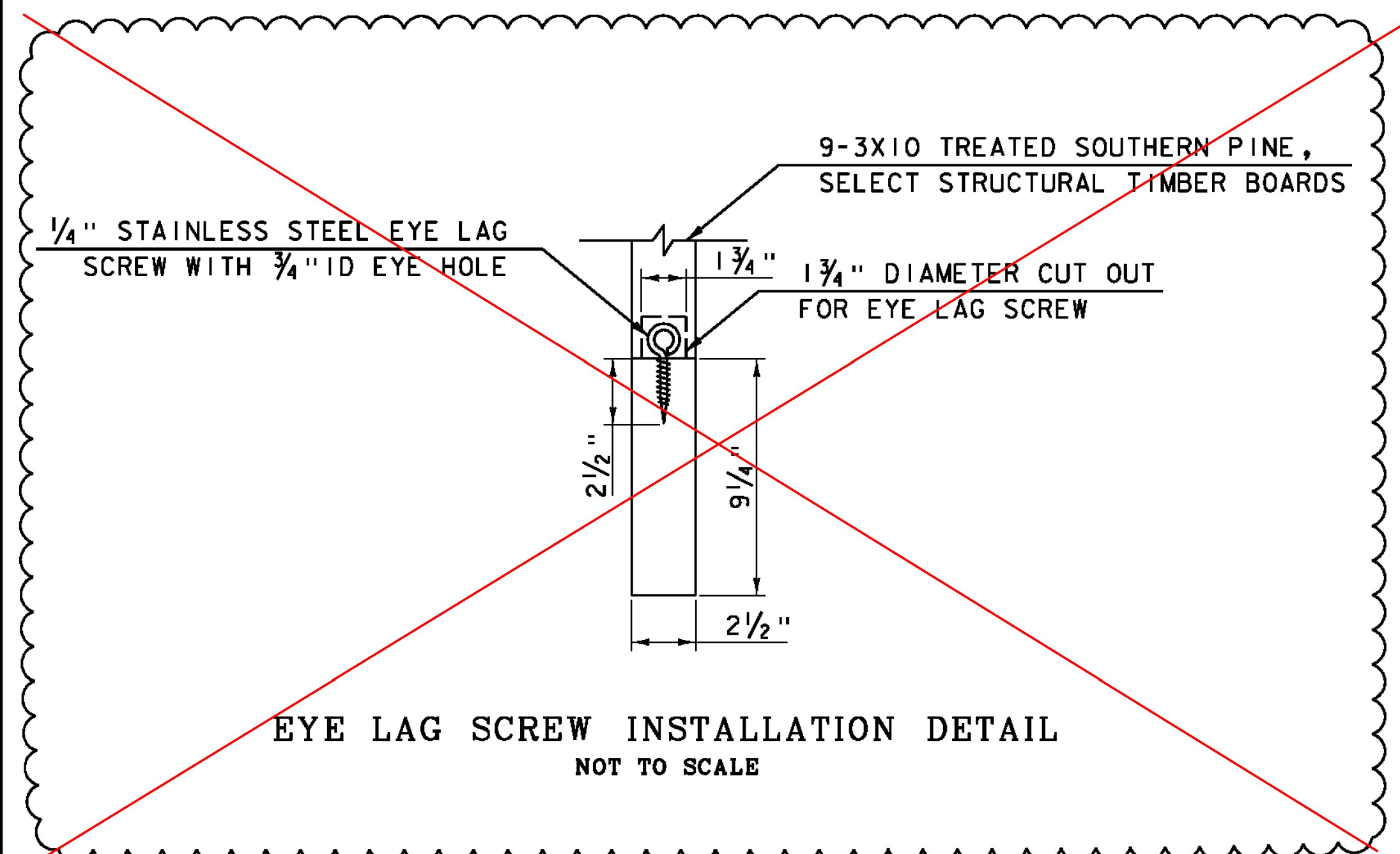


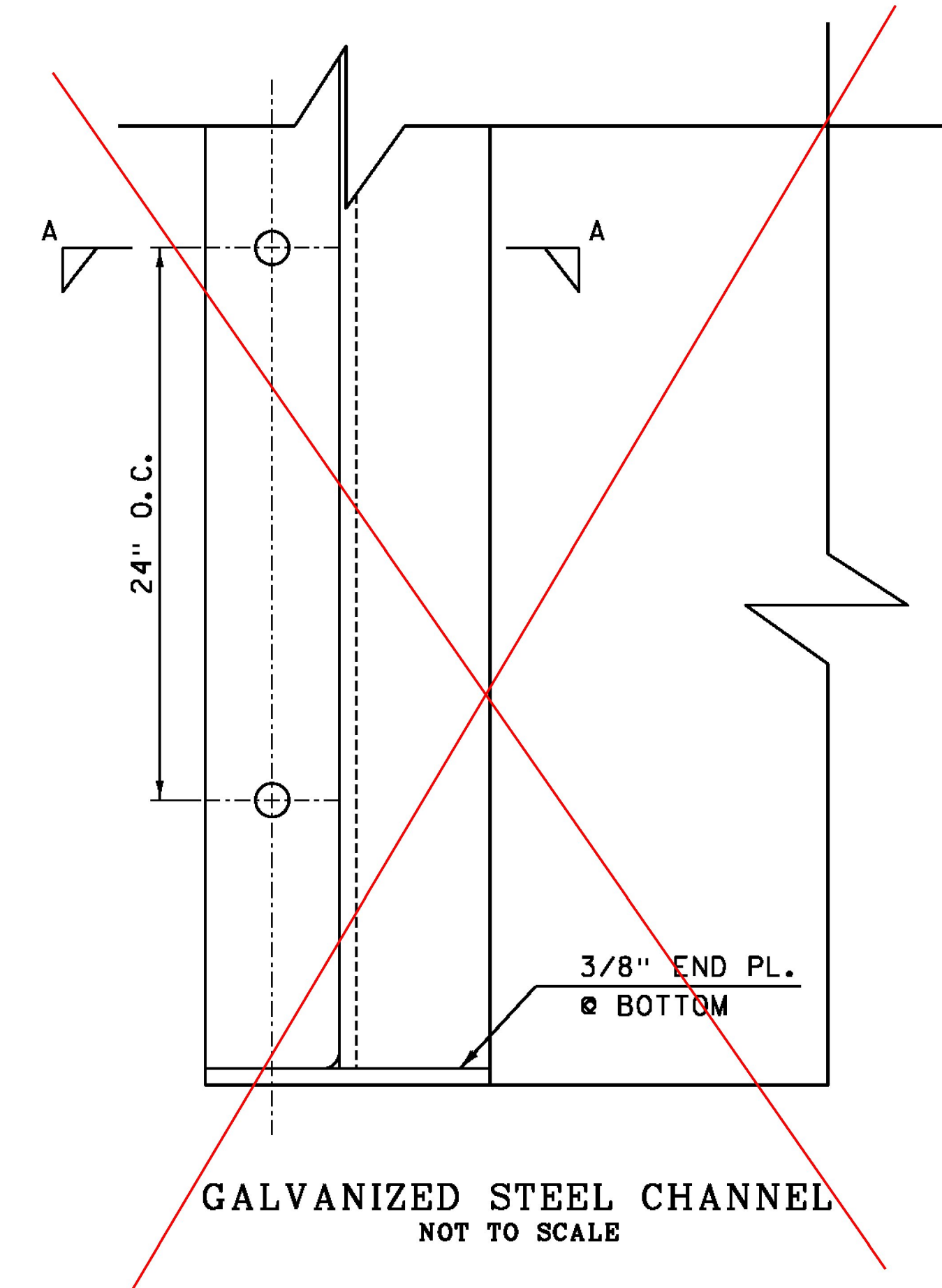
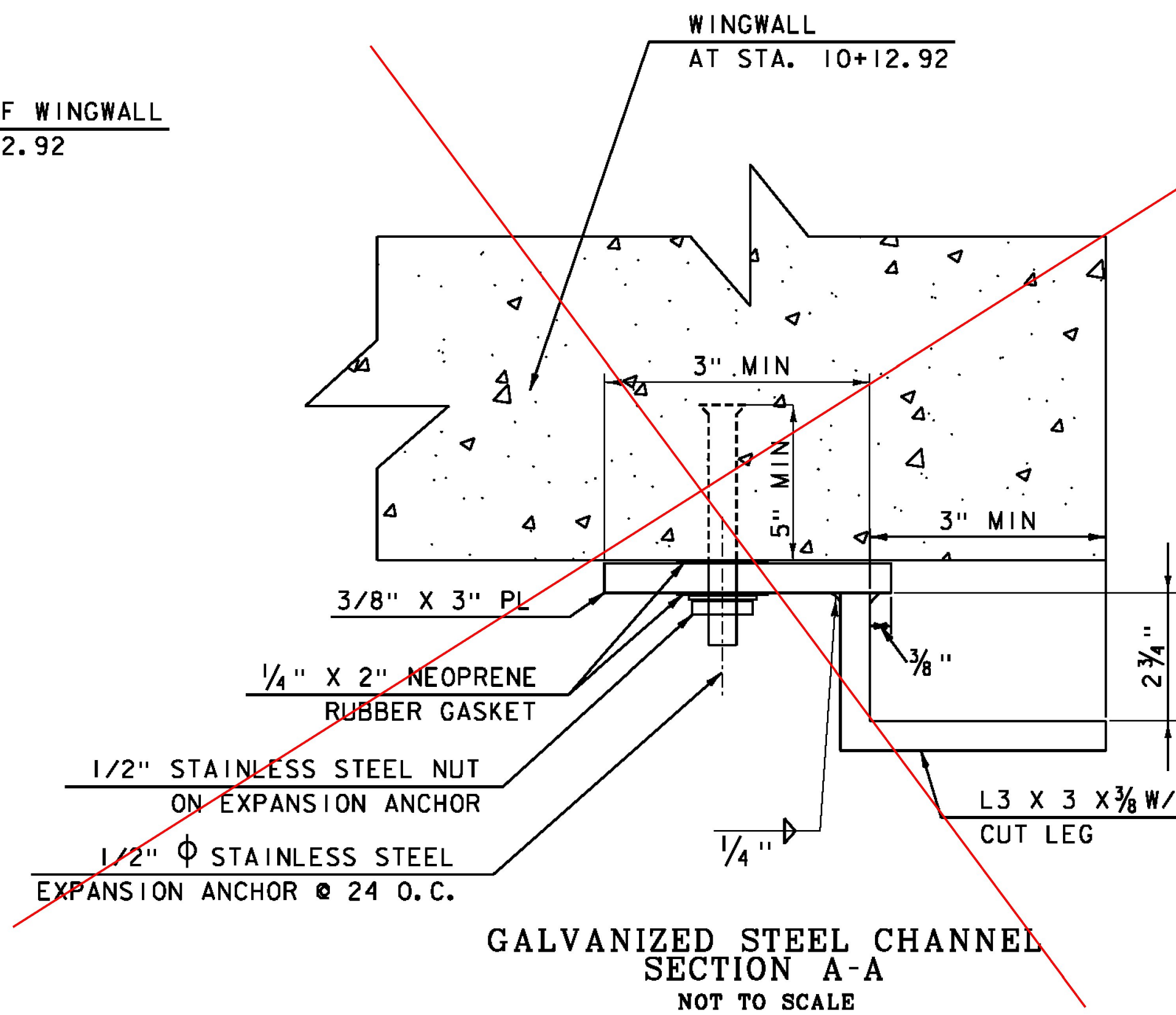
NOTE:
 STOP LOG SYSTEM INITIALLY INSTALLED; DUE TO FAILURE,
 SYSTEM WAS REPLACED IN JUNE 2018 WITH A SLUICE GATE.
 SEE FOLLOWING SHEETS FOR SLUICE GATE SYSTEM.



FRONT VIEW - SPECIAL PROVISION (STOP LOG SYSTEM)
 NOT TO SCALE



EYE LAG SCREW INSTALLATION DETAIL
 NOT TO SCALE



GALVANIZED STEEL CHANNEL
 NOT TO SCALE

SPECIAL PROVISION (STOP LOG SYSTEM)

THIS SHEET REPLACES PRECEDING SHEET

PROJECT NAME: PERU
 PROJECT NUMBER: STP SCR(4)

FILE NAME: z07b106det.dgn
 PROJECT LEADER: E. ATKINS
 DESIGNED BY: B. KHALIFA
 DETAIL SHEET 6

PLOT DATE: 12/31/2014
 DRAWN BY: M. BRADLEY
 CHECKED BY: B. KHALIFA
 SHEET 12R OF 45