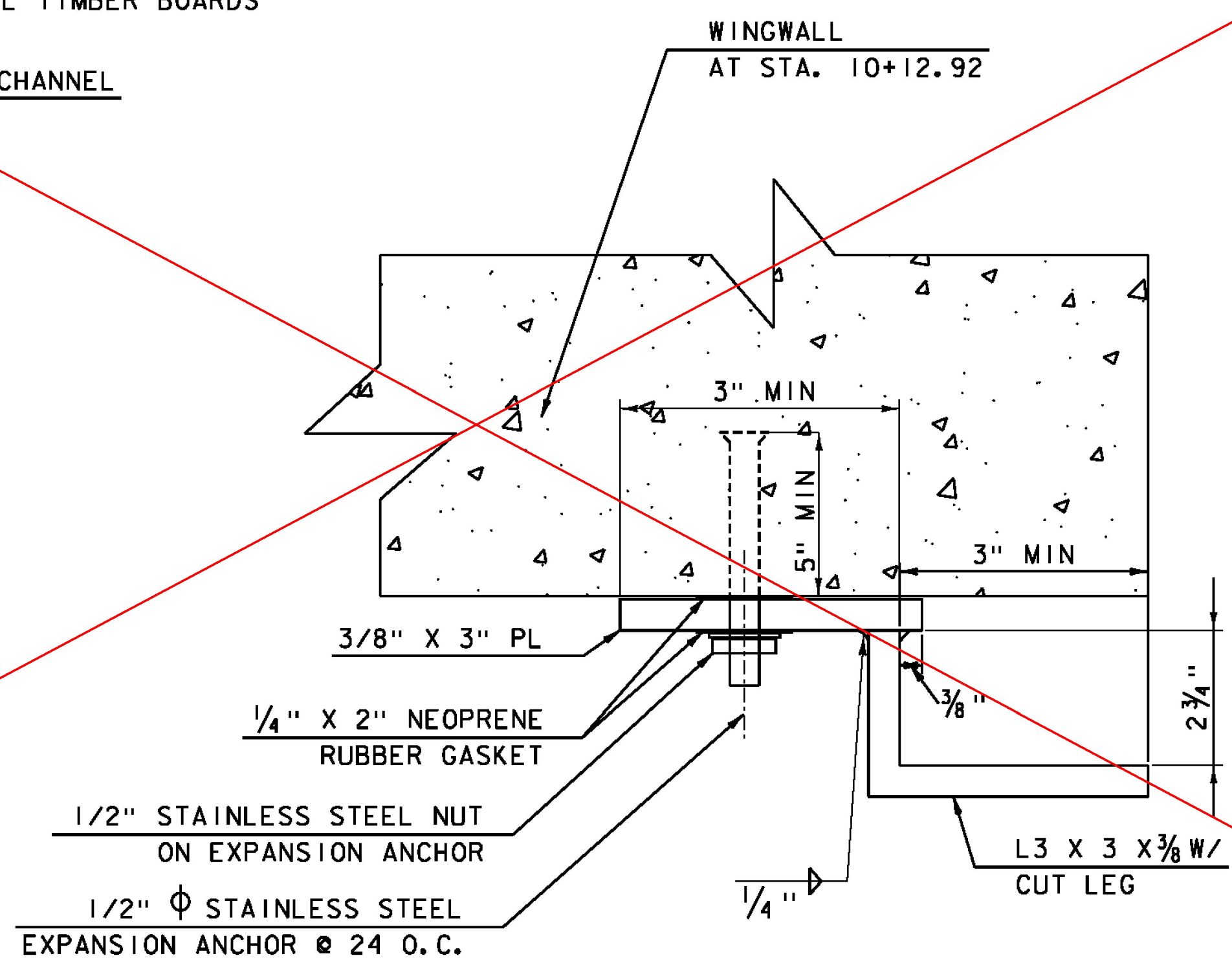
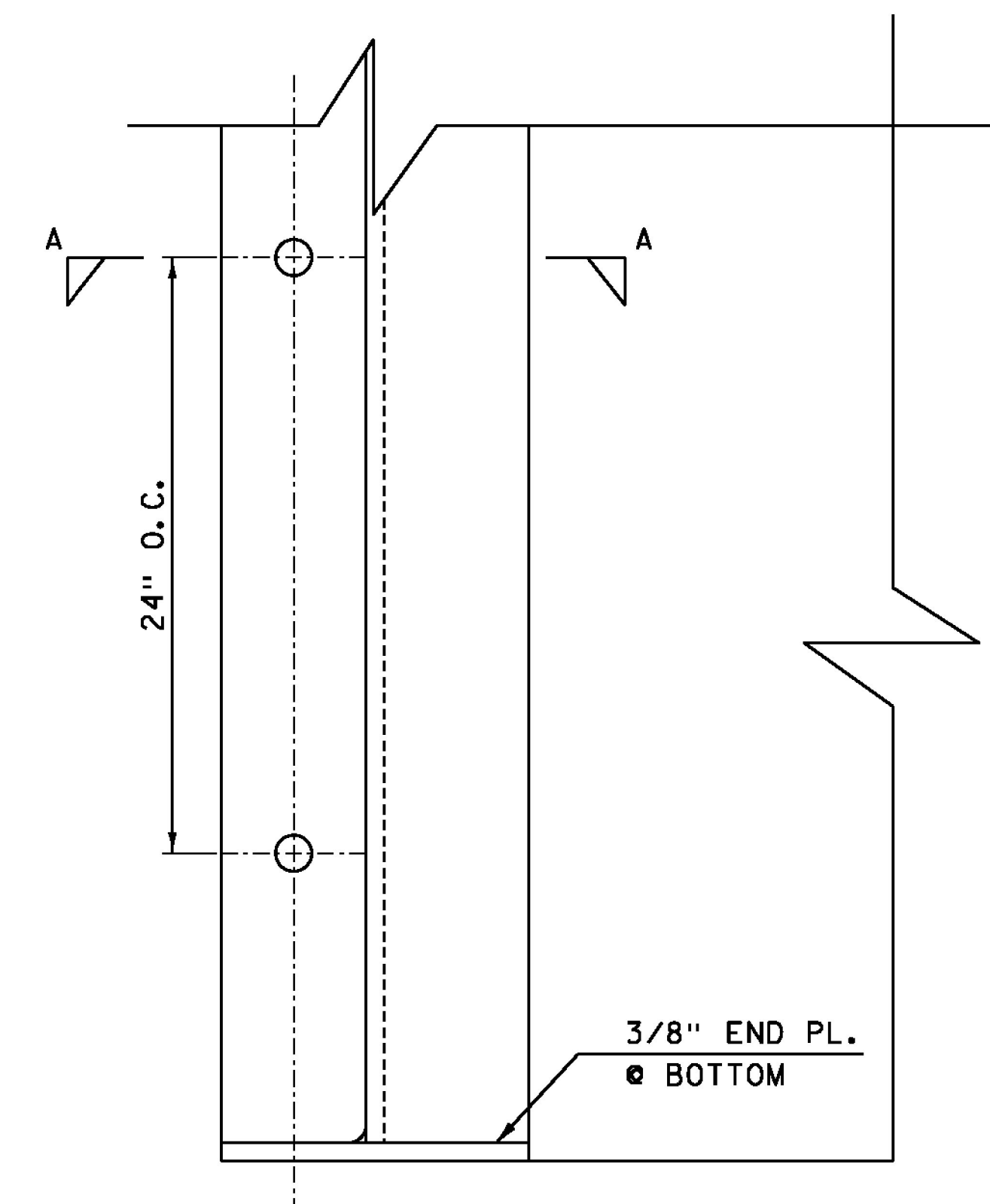


FRONT VIEW - SPECIAL PROVISION (STOP LOG SYSTEM)
NOT TO SCALE



GALVANIZED STEEL CHANNEL
SECTION A-A
NOT TO SCALE



GALVANIZED STEEL CHANNEL
NOT TO SCALE

SPECIAL PROVISION (STOP LOG SYSTEM)

THIS SHEET REPLACED
BY FOLLOWING SHEET

PROJECT NAME: PERU
PROJECT NUMBER: STP SCRP(4)

FILE NAME: z07bi06det.dgn
PROJECT LEADER: E. ATKINS
DESIGNED BY: B. KHALIFA
DETAIL SHEET 6

PLOT DATE: 12/31/2014
DRAWN BY: M. BRADLEY
CHECKED BY: B. KHALIFA
SHEET 12 OF 45