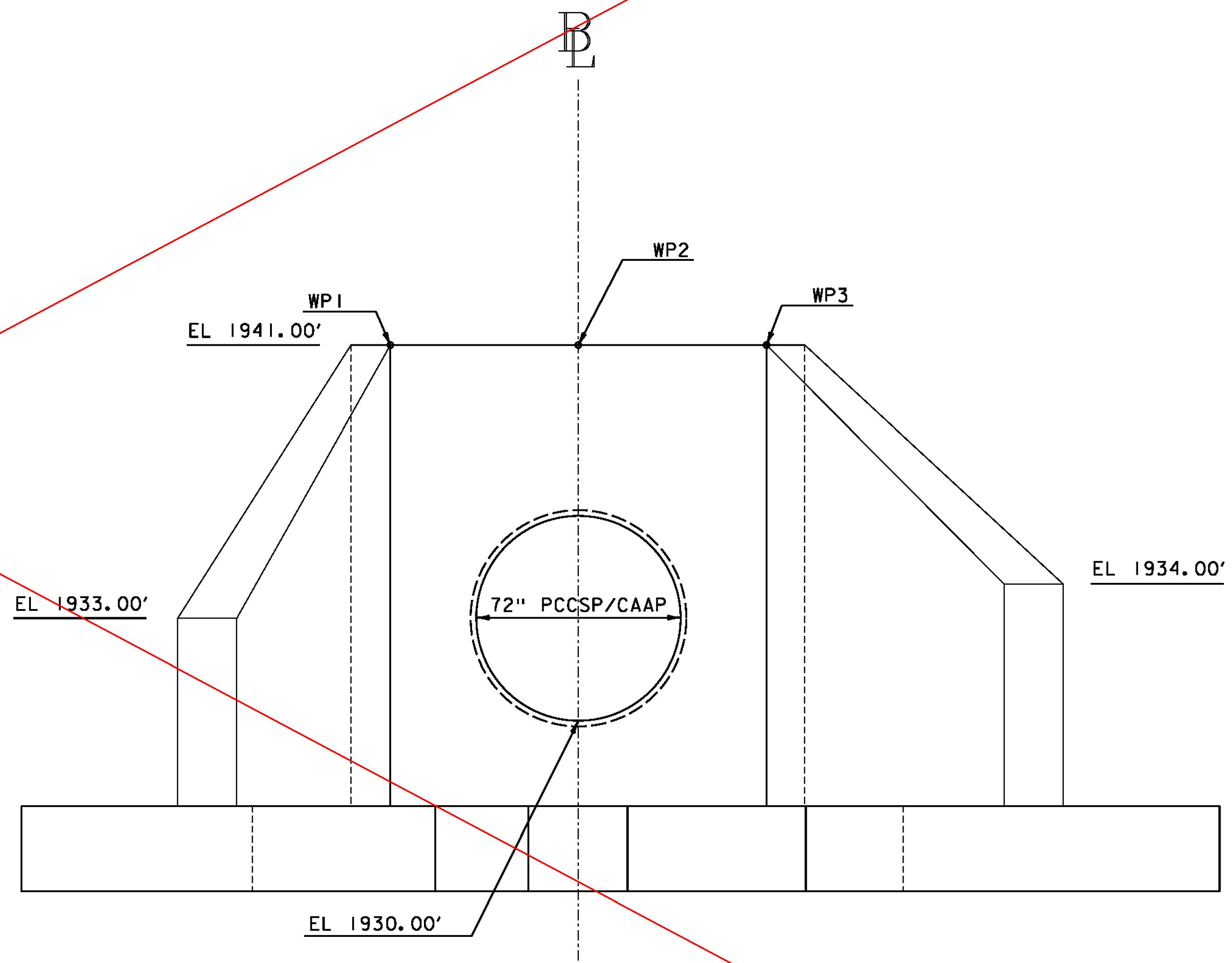


WINGWALL PLAN VIEW
SCALE 3/8" = 1'

WORK POINTS
 WP1 - STA 10+12.92 5.50 LT
 WP2 - STA 10+12.92 0.0
 WP3 - STA 10+12.92 5.50 RT
 * TOW = TOP OF WALL



WINGWALL ELEVATION VIEW
SCALE 3/8" = 1'

THIS SHEET REPLACED
BY FOLLOWING SHEET



PROJECT NAME: PERU	PLOT DATE: 12/31/2014
PROJECT NUMBER: STP SCR(4)	DRAWN BY: M. BRADLEY
FILE NAME: z07bi06det.dgn	CHECKED BY: B. KHALIFA
PROJECT LEADER: E. ATKINS	SHEET 9 OF 45
DESIGNED BY: B. KHALIFA	
DETAIL SHEET 3	