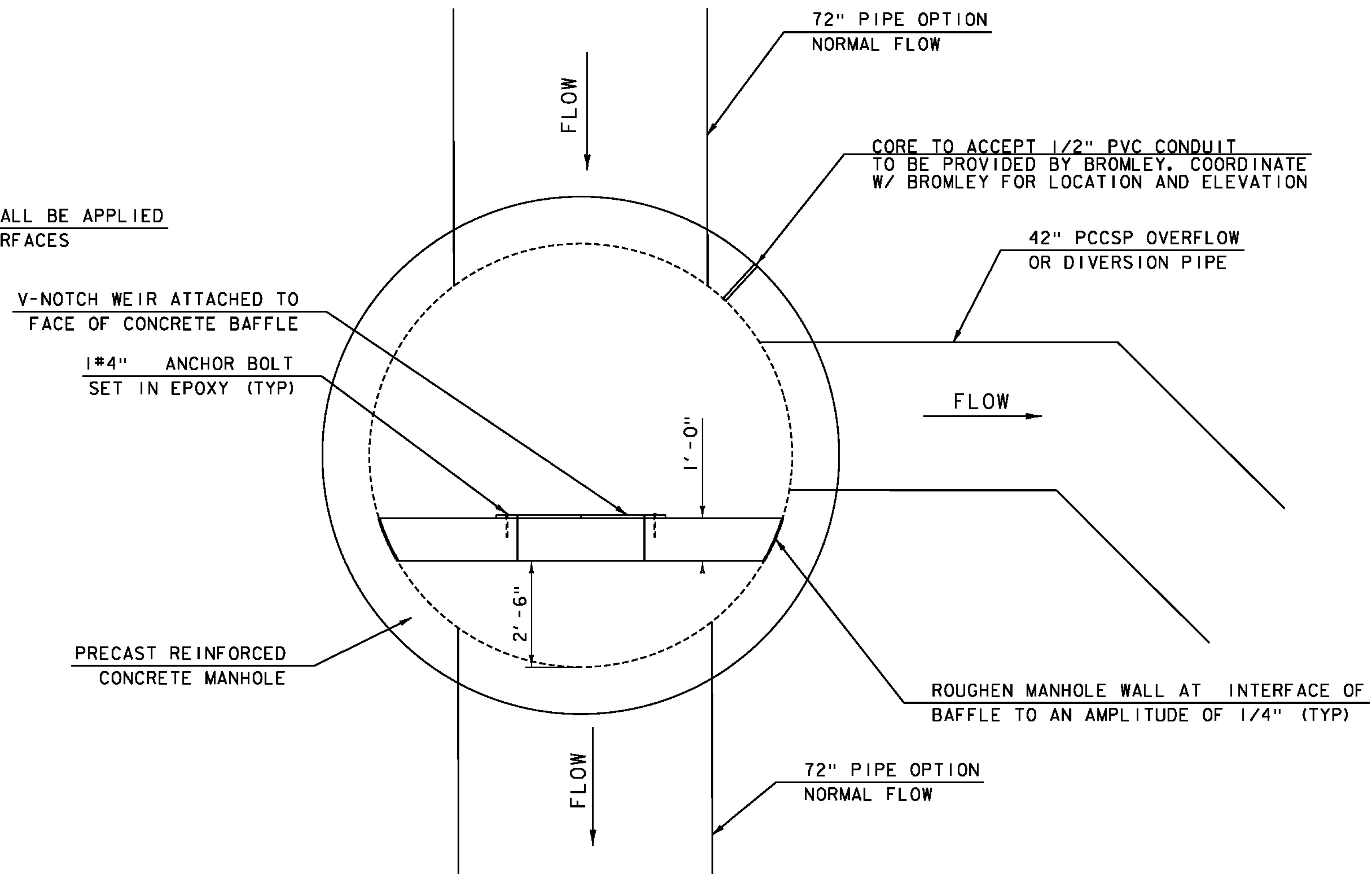
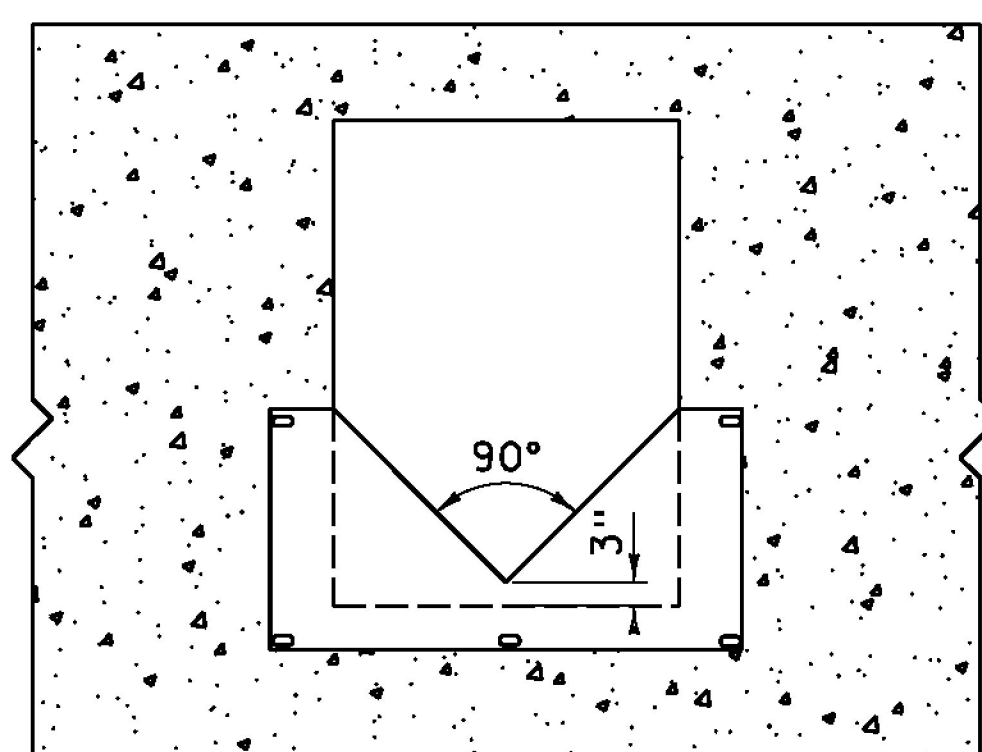


10' DIA. MANHOLE W/ EXTENDED BASE, BAFFLE AND STAFF GAUGE AT STA. 10+26.4
NOT TO SCALE



PLAN
NOT TO SCALE



BAFFLE CUTOUT DETAIL
NOT TO SCALE

NOTES:

- 1.) STEPS SHALL BE INCLUDED INSIDE THE MANHOLE AND SHALL BE POSITIONED BELOW THE ACCESS HATCH
- 2.) SET "0.00" AT ELEVATION 1936.17 (BOTTOM OF V-NOTCH WEIR)
- 3.) PIPES SHALL RUN AT 0.4%, THE CORRESPONDING OUTLET ELEVATION FOR THE STRUCTURE LOCATED AT 10+50.68 IS 1935.56

ADDED SHEET
STR #1 DETAILS

PROJECT NAME: PERU
PROJECT NUMBER: STP SCRP(4)

FILE NAME: z07b106det.dgn
PROJECT LEADER: E. ATKINS
DESIGNED BY: M. BRADLEY
CHANGE DETAIL #1

PLOT DATE: 12/31/2014
DRAWN BY: M. BRADLEY
CHECKED BY: E. ATKINS
SHEET +8A OF 245