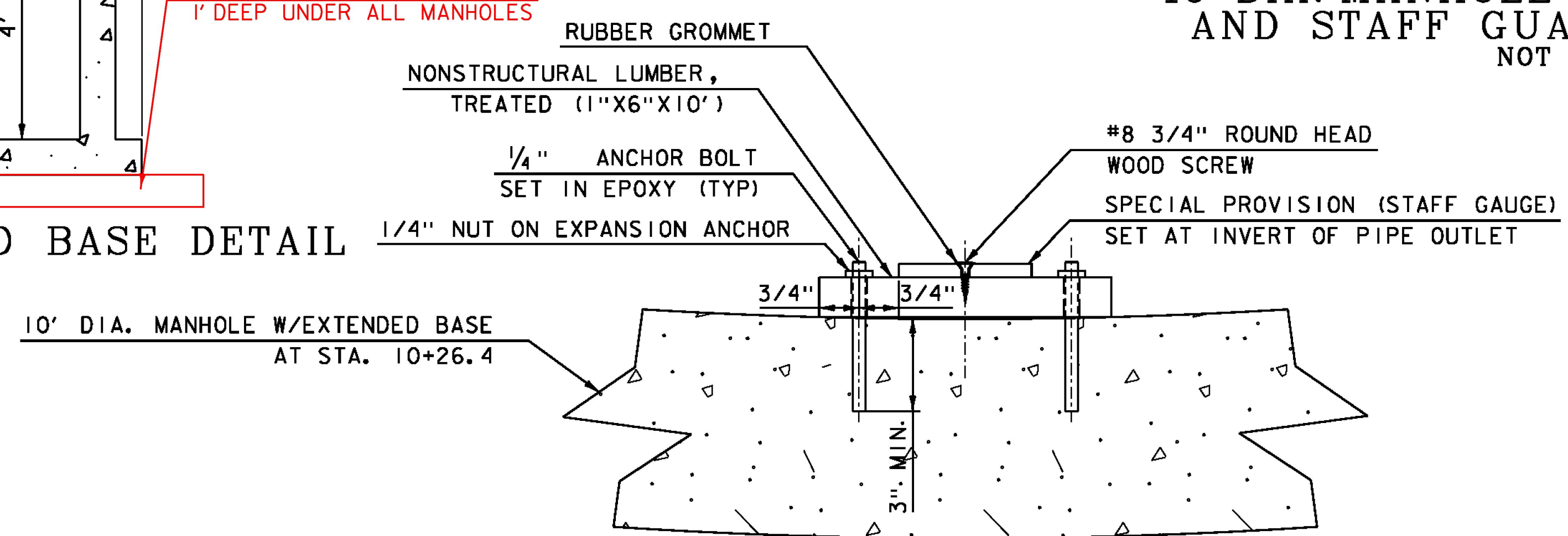


**10' DIA. MANHOLE W/ EXTENDED BASE DETAIL**  
NOT TO SCALE

**10' DIA. MANHOLE W/ EXTENDED BASE AND STAFF GAUGE AT STA. 10+26.4**  
NOT TO SCALE



**SPECIAL PROVISION (STAFF GAUGE) MOUNTING DETAIL**  
NOT TO SCALE

PROJECT NAME: PERU	PLOT DATE: 12/31/2014
PROJECT NUMBER: STP SCRP(4)	DRAWN BY: M. BRADLEY
FILE NAME: z07b106det.dgn	DESIGNED BY: M. BRADLEY
PROJECT LEADER: E. ATKINS	CHECKED BY: E. ATKINS
DETAIL SHEET 2	SHEET 8 OF 45