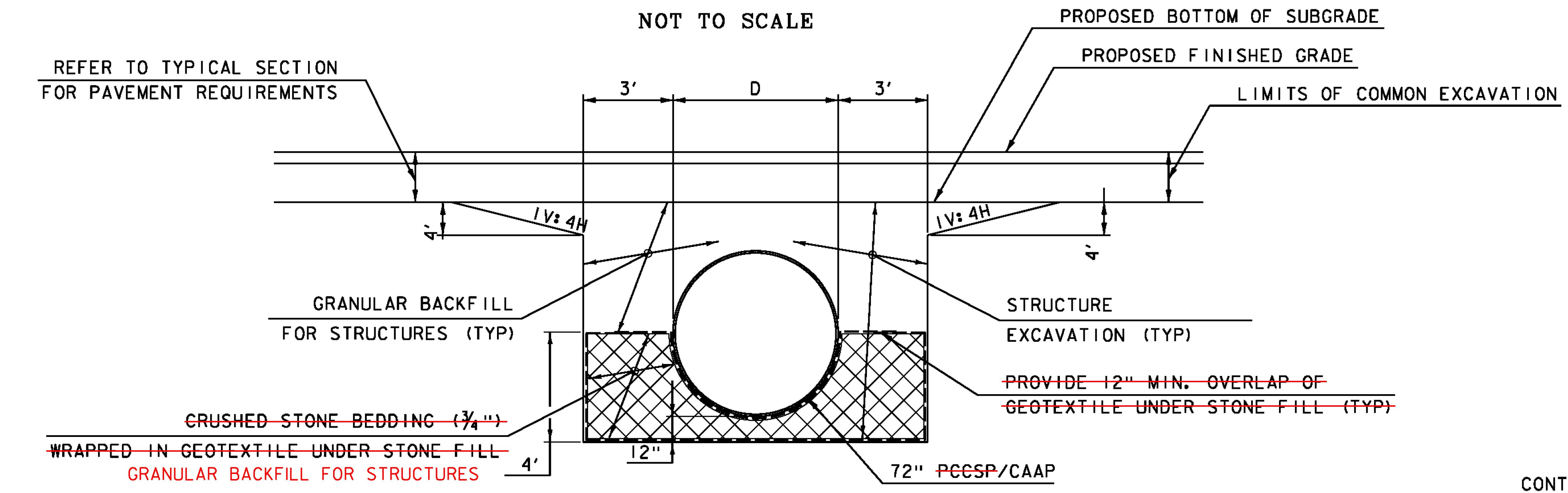


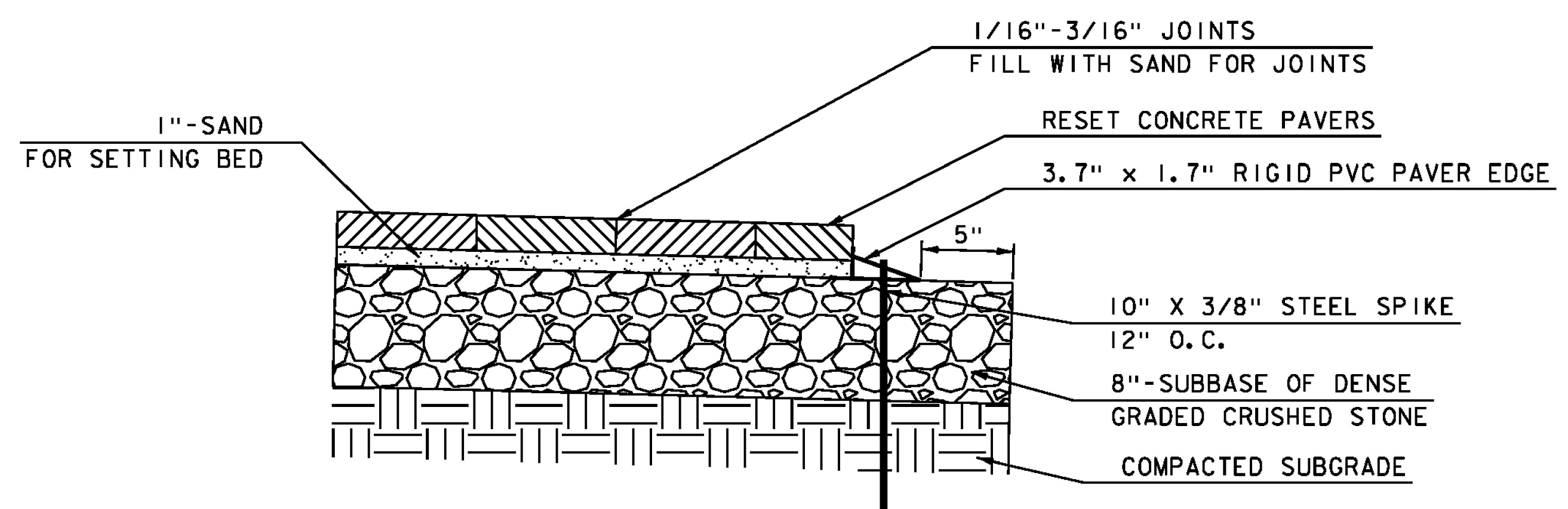
TYPICAL TRENCH DETAIL FOR 72" PCCSP/CAAP PIPE

NOT TO SCALE



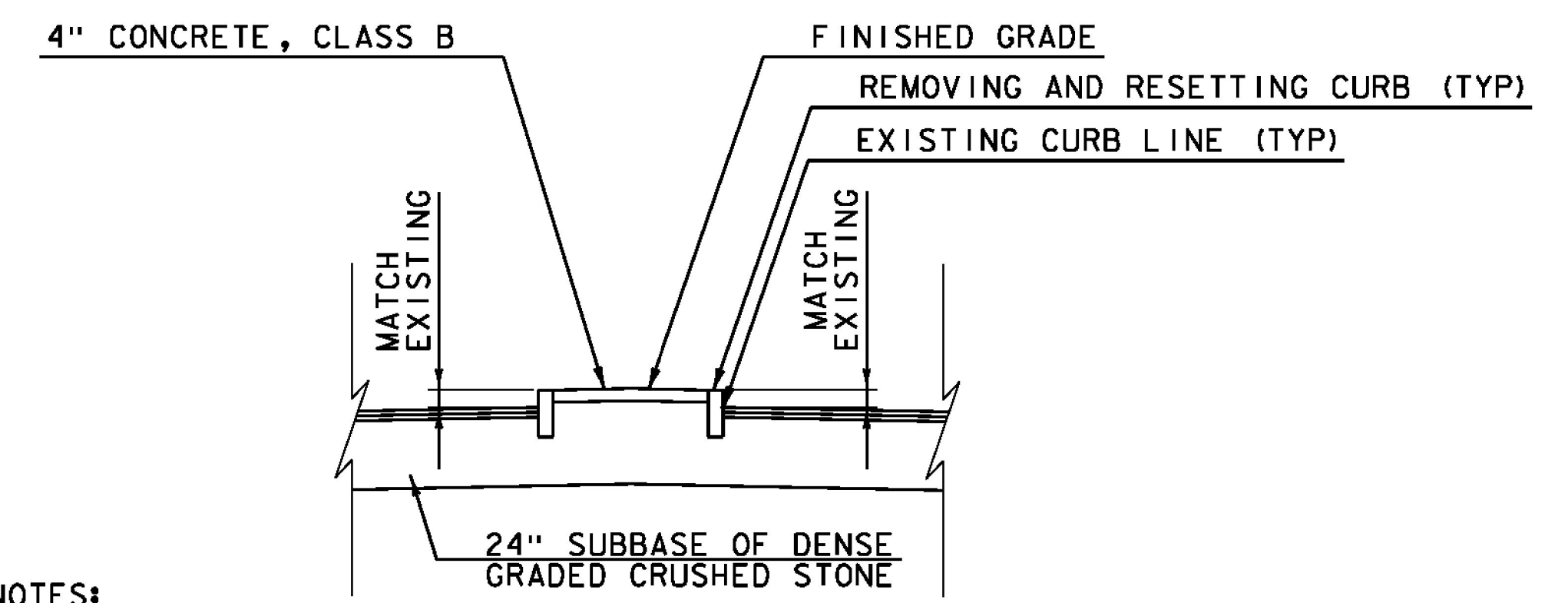
TYPICAL TRENCH DETAIL FOR 72" PCCSP/CAAP PIPE
WITHIN VT ROUTE 11

NOT TO SCALE



SPECIAL PROVISION (REMOVE AND
RESET CONCRETE PAVERS)

NOT TO SCALE

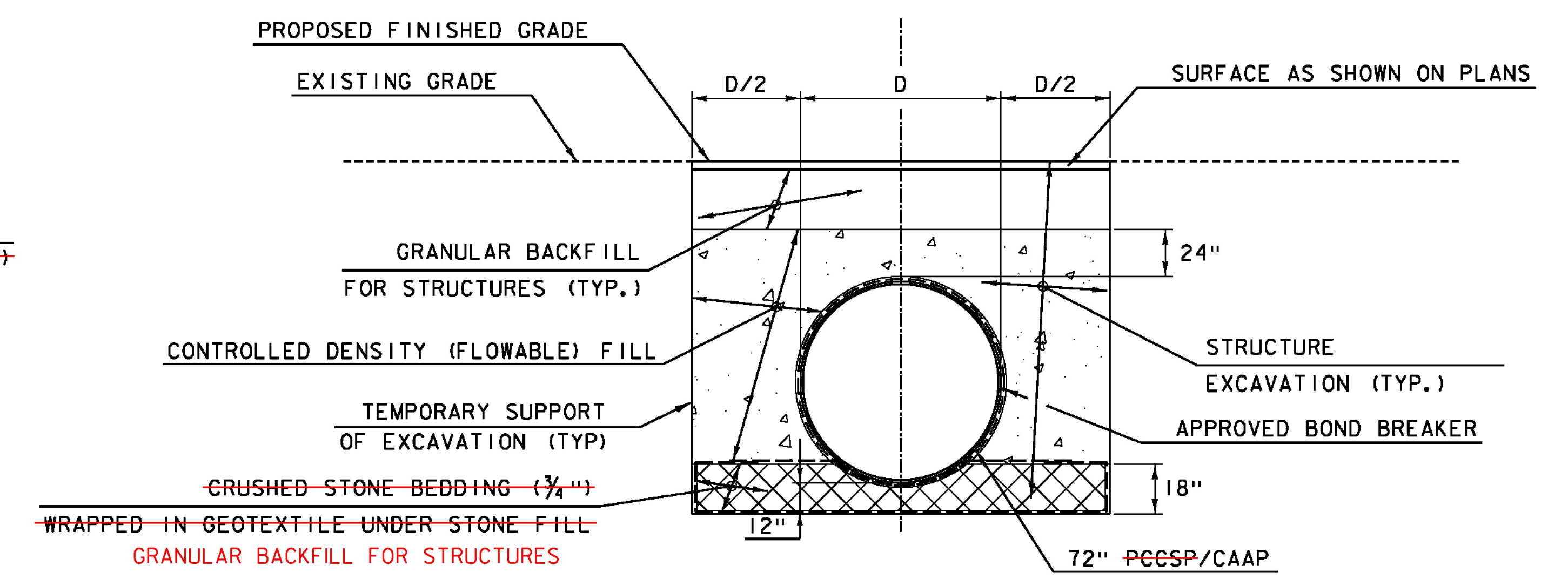


NOTES:

PAYMENT FOR FURNISHING, GRADING AND PLACING THE CONCRETE FOR THE MEDIAN ISLAND WILL BE INCLUDED IN THE UNIT PRICE BID FOR ITEM 900.675 SPECIAL PROVISION (PORTLAND CEMENT CONCRETE ISLAND TREATMENT, 4 INCH.)

SPECIAL PROVISION
(PORTLAND CEMENT CONCRETE ISLAND
TREATMENT, 4-INCH)

NOT TO SCALE



TYPICAL TRENCH DETAIL FOR 72" PCCSP/CAAP
WITH CONTROLLED DENSITY (FLOWABLE) FILL

NOT TO SCALE

PROJECT NAME: PERU	PLOT DATE: 12/31/2014
PROJECT NUMBER: STP SCR(4)	DRAWN BY: M. BRADLEY
FILE NAME: z07b106det.dgn	CHECKED BY: E. ATKINS
PROJECT LEADER: E. ATKINS	SHEET 7 OF 45
DESIGNED BY: M. BRADLEY	
DETAIL SHEET 1	