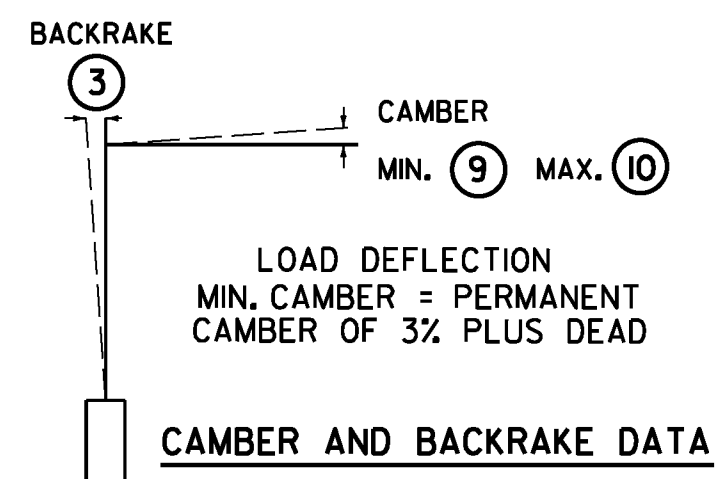
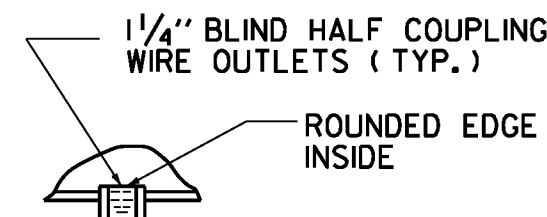


TYPE A

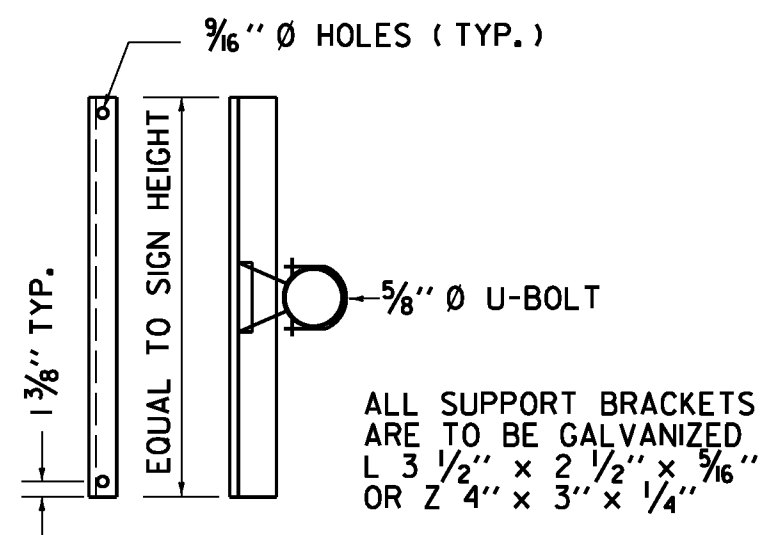
- POLE BASE DIAMETER (1)
- POLE GAUGE (2)
- POLE TAPER RATE (3)
- ARM DIAMETER (4)
- ARM GAUGE (5)
- ARM TAPER RATE (6)



CAMBER AND BACKRAKE DATA



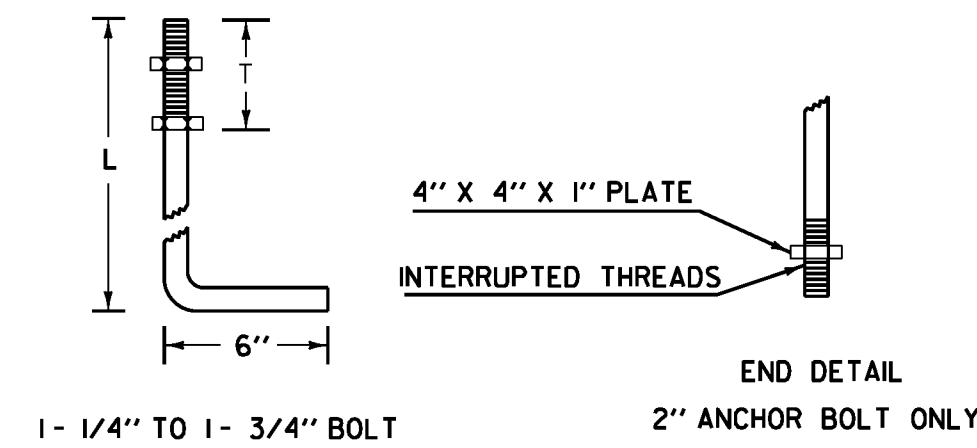
DETAIL A



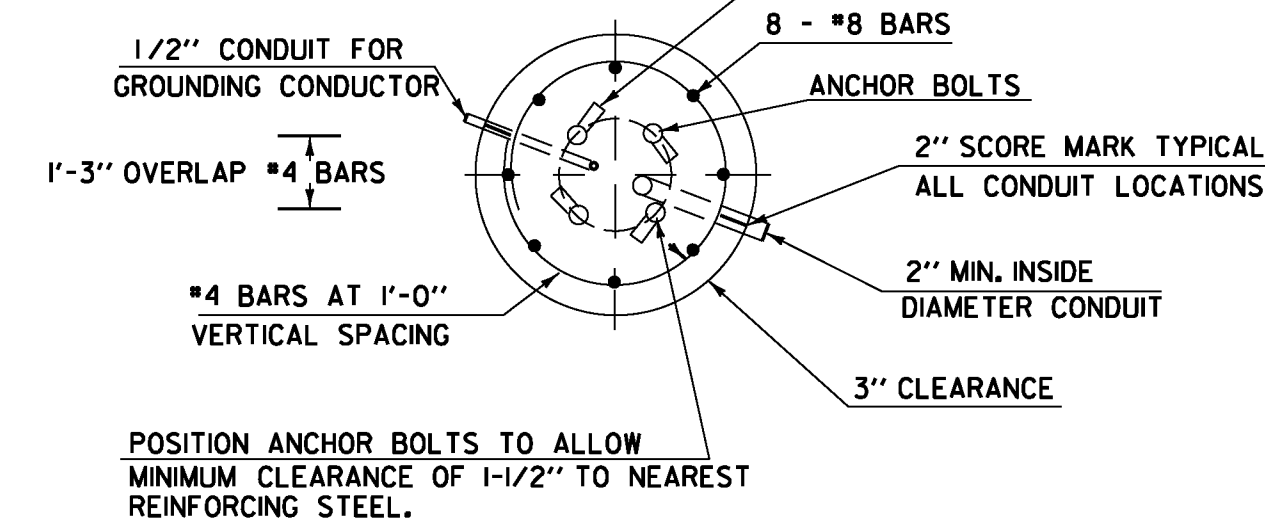
SIGN BRACKET DETAILS

SIGN ON SINGLE MAST ARM

ANCHOR BOLT DETAIL		
SIZE	L (IN)	T (IN)
1 - 1/4" X 48"	42	8
1 - 1/2" X 60"	54	9
1 - 3/4" X 90"	84	9
2" X 96"	96	9



ANCHOR BOLT DETAIL

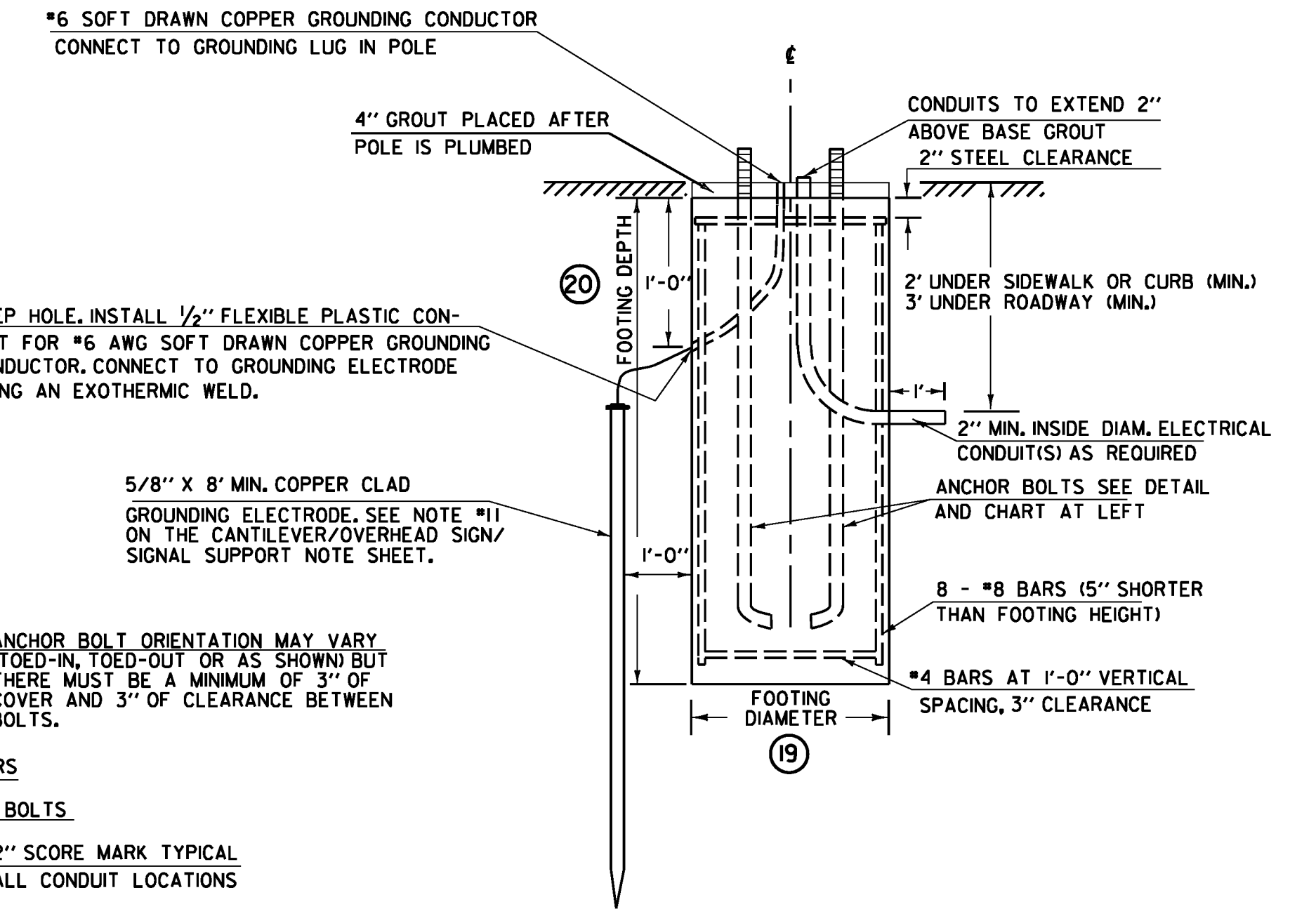


SECTION

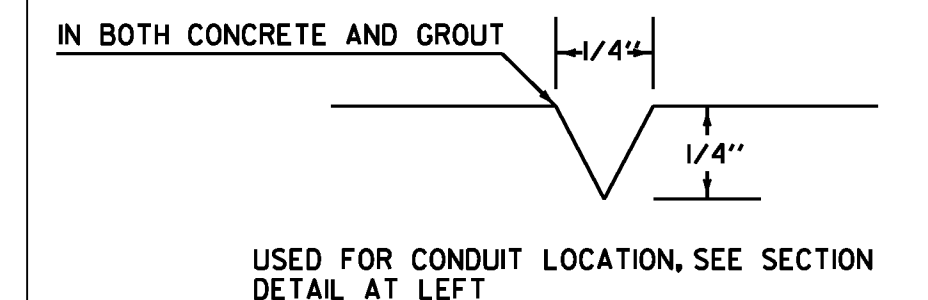
CANTILEVER FOOTING DETAIL

(SPREAD FOOTINGS OR PILES ARE OPTIONAL)

SEE CANTILEVER / OVERHEAD SIGN / SIGNAL SUPPORTS NOTE SHEET FOR ADDITIONAL INFORMATION



ELEVATION



2" SCORE MARK DETAIL

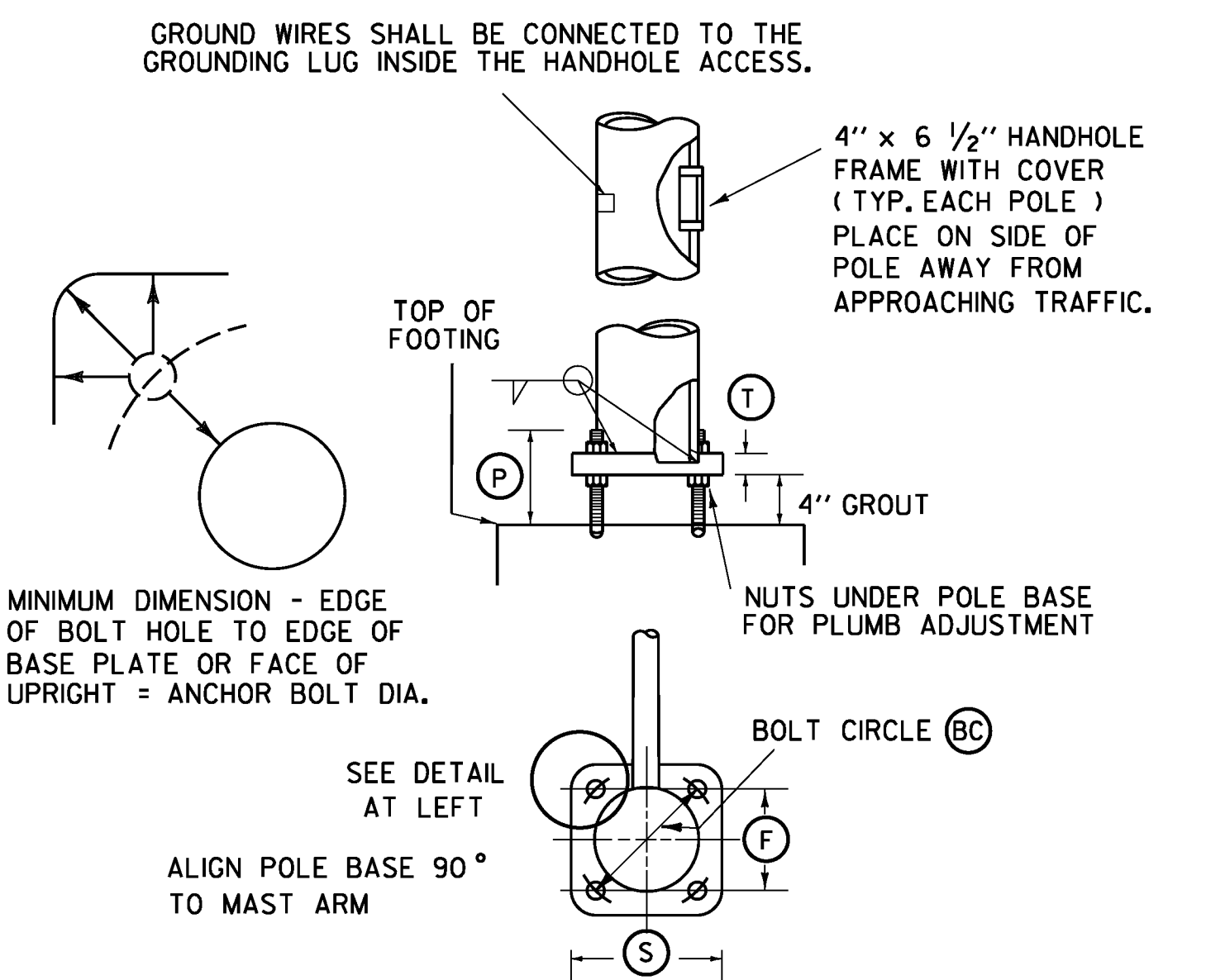
USED FOR CONDUIT LOCATION, SEE SECTION DETAIL AT LEFT

SEE SHEET(S) ____ FOR CROSS SECTIONS

POLE	TYPE	POLE DATA						ARM DATA						LIGHTING DATA				FOOTING DATA		BASE PLATE / BOLT DATA							
		(1)	(2)	(3)	(4)	(5)	(6)	(7)	(8)	(9)	(10)	(11)	(12)	(13)	(14)	(15)	(16)	(17)	(18)	(19)	(20)	(BC)	(F)	(S)	(T)	(P)	ANCHOR BOLT SIZE
MP1A	A	20.0'	18.5'	TBBM	TBBM	TBBM	TBBM	45'	17'	3%	5%	TBBM	TBBM	TBBM	N/A	N/A	N/A	N/A	N/A	VAOT	VAOT	24"	1.41'	TBBM	TBBM	TBBM	2"
MP1B	A	17.9'	16.4'	TBBM	TBBM	TBBM	TBBM	45'	17'	3%	5%	TBBM	TBBM	TBBM	N/A	N/A	N/A	N/A	N/A	VAOT	VAOT	24"	1.41'	TBBM	TBBM	TBBM	2"
MP2A	A	19.8'	18.3'	TBBM	TBBM	TBBM	TBBM	35'	17'	3%	5%	TBBM	TBBM	TBBM	N/A	N/A	N/A	N/A	N/A	VAOT	VAOT	24"	1.41'	TBBM	TBBM	TBBM	2"
MP3A	A	20.3'	18.8'	TBBM	TBBM	TBBM	TBBM	40'	17'	3%	5%	TBBM	TBBM	TBBM	N/A	N/A	N/A	N/A	N/A	VAOT	VAOT	24"	1.41'	TBBM	TBBM	TBBM	2"
MP4A	A	19.2'	17.7'	TBBM	TBBM	TBBM	TBBM	35'	17'	3%	5%	TBBM	TBBM	TBBM	N/A	N/A	N/A	N/A	N/A	VAOT	VAOT	24"	1.41'	TBBM	TBBM	TBBM	2"

TBBM = TO BE DETERMINED BY MANUFACTURER
VAOT= REFER TO GEOTECHNICAL RECOMMENDATION MEMORANDUM BY VERMONT AGENCY OF TRANSPORTATION

STANDARD DETAIL BY VAOT



POLE BASE AND BASE PLATE DETAIL

PROJECT NAME: BRATTLEBORO
PROJECT NUMBER: STP 2000(24)

FILE NAME: z08d044tr fbdn.dgn PLOT DATE: 4/8/2010
PROJECT LEADER: KEN UPMAL DRAWN BY: V. KACOYANNAKIS
DESIGNED BY: V. KACOYANNAKIS CHECKED BY: J. SOBEL
TRAFFIC SIGNAL SHEET 5 SHEET 154 OF 163

NOTE:
DETAILS
NTS

SINGLE MAST ARM CANTILEVER / FOOTING DETAIL SHEET