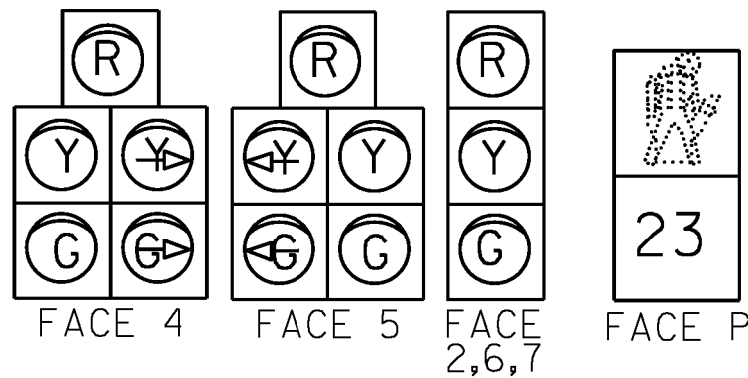


MAJOR EQUIPMENT LIST

EQUIPMENT ITEM NO. 678J5	US 5 (MAIN STREET) @ ELLIOT STREET
CANTILEVER POLES W/MAST ARMS	1
PEDESTAL POSTS	5
NEW 12" TRAFFIC SIGNAL HEADS W/ TUNNEL VISORS, DISCONNECT HANGERS, BACKPLATES AND MOUNTING HARDWARE	
ONE-WAY, 3-SECTION	3
ONE-WAY, 5-SECTION	1
ONE-WAY, 3-SECTION SIDE-MOUNTED - POLE	1
ONE-WAY, 5-SECTION PEDESTAL POST TOP-MOUNTED	1
PEDESTRIAN PUSHBUTTON ASSEMBLIES - PEDESTAL POST MOUNTED	5
ACCESSIBLE PEDESTRIAN SIGNAL	
PEDESTAL POST TOP MOUNTED, ONE-WAY	3
PEDESTAL POST TOP MOUNTED, TWO-WAY	1
PEDESTAL POST SIDE-MOUNTED, ONE-WAY	
CONTROLLER/CABINET/ MASTER EQUIPMENT	
OPTICAL VEHICLE PREEMPTION SYSTEM	
RADIO INTERCONNECT/VIDEO DETECTION SYSTEM	
RAILROAD PREEMPTION SYSTEM	
POWER DROP STANCHION	

SIGNAL FACE ARRANGEMENT
12" LENSES



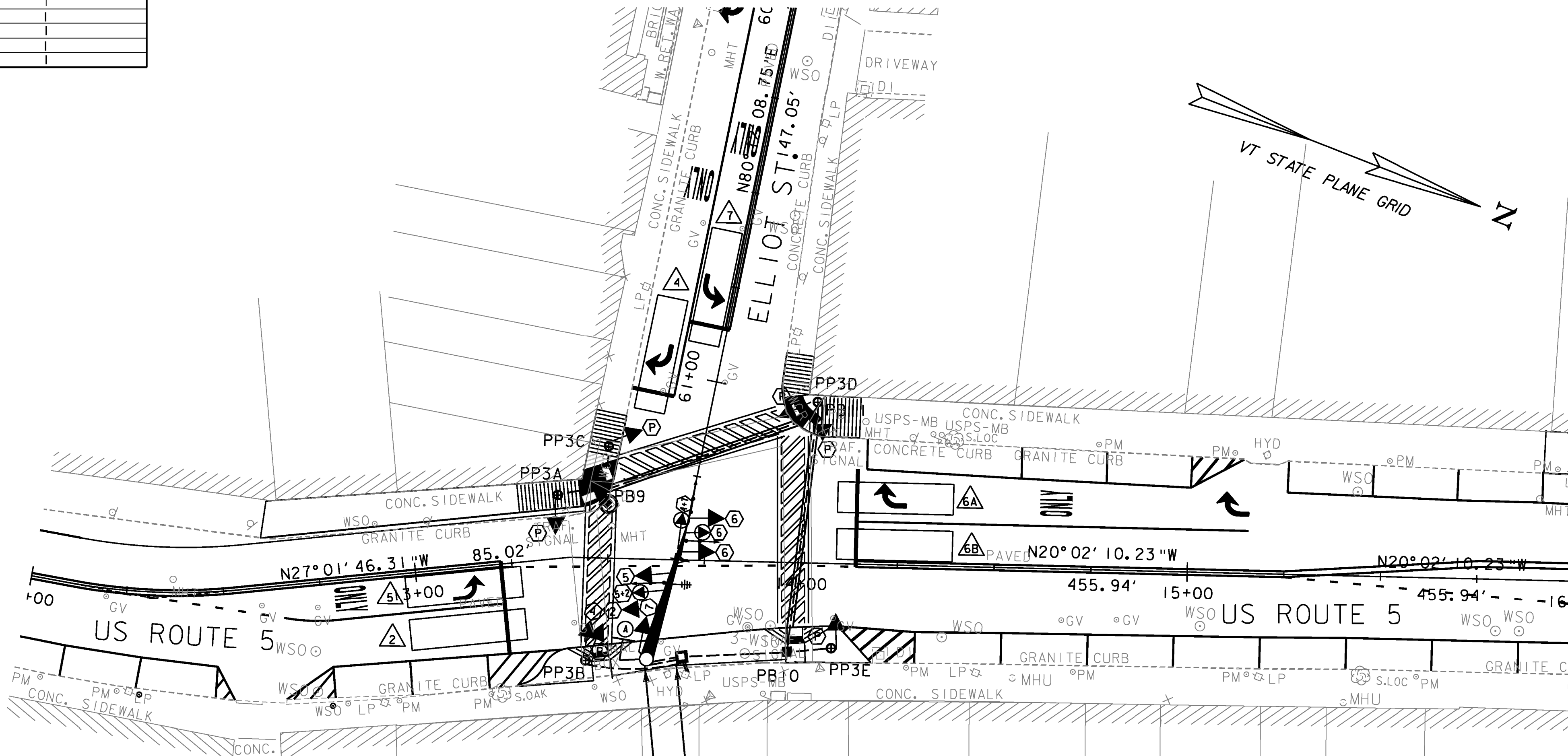
NOTE: INCLUDE BACKPLATE ALL SIGNAL FACES.

EQUIPMENT	ITEM NO.	UNIT	US 5 (MAIN STREET) @ ELLIOT STREET	NOTES
WIRED CONDUIT (2") (PVC)	678.23	LF	222'	-
WIRED CONDUIT (2 1/2") (PVC)	678.23	LF	68'	-
ELECTRICAL CONDUIT SLEEVE (8") (PVC)	678.30	LF	106'	-
PULL BOX - STANDARD	678.25	EA	3	-

THE QUANTITIES LISTED ABOVE ARE APPROXIMATE AND ARE FURNISHED FOR INFORMATION ONLY. MISCELLANEOUS (UNLISTED) WIRE, CABLE, HARDWARE ETC. ARE REQUIRED TO PROVIDE FOR A FUNCTIONING TRAFFIC SIGNAL SYSTEM. THE CONTRACTOR IS RESPONSIBLE FOR VERIFICATION OF THE NUMBER OF ITEMS AND THE TYPES OF EQUIPMENT REQUIRED.

NOTES:

- OFFSET IS REFERENCED AT THE END OF PHASE 2.
- SPLITS AND OFFSETS ARE SHOWN IN SECONDS.
- VIDEO DETECTION AREAS 2, 4, 5, 6A, 6B AND 7 ARE IN NON-LOCK PRESENCE MODE.
- SIGNAL TO COORDINATE WITH MAIN STREET SYSTEM WITH ALL OTHER LOCATIONS VIA SPREAD SPECTRUM RADIO. ELLIOT STREET IS MASTER LOCATION.
- ANY PULL BOX OR JUNCTION BOX WITHIN SIDEWALK SHALL HAVE A SKID RESISTANT COVER.
- SPREAD SPECTRUM RADIO ASSEMBLY TO SEND SIGNAL TO COORDINATE WITH I42/I19, FLAT STREET AND ROUTE 9 (HIGH STREET). INSTALL TWO-WAY ANTENNA ON ON MP3A AND MASTER RADIO IN THE CONTROLLER CABINET. REMOTE RADIOS TO BE INSTALLED IN CABINETS AT I42/I19, FLAT STREET AND HIGH STREET. INSTALL ANTENNAS ON AT THESE LOCATIONS.
- RAILROAD PREEMPTION TO FORCE PHASE 2 AND HOLD UNTIL RELEASED. CABINET TO INCLUDE CONTACT CLOSURE RADIO TO COMMUNICATE WITH THE SIGNAL AT ROUTE I19 AND ROUTE I42.
- SIGNAL TO INCLUDE VEHICLE IDENTIFYING OPTICAL PRE-EMPT. AND COMMUNICATION SYSTEM. THE SYSTEM INCLUDES AN OPTICAL SIGNAL PROCESSOR, 3 OPTICAL DETECTORS, RED STROBE LIGHT AND APPROX. 240 +/- OF DETECTOR CABLE.



PROPOSED BASE MOUNTED CABINET WITH CONTROLLER MP3A
STA 13+60.62, 25.92 RT

SEND RADIO SIGNAL TO RTES. I19 AND I42, HIGH AND FLAT STREETS FOR COORDINATION
RECEIVE RADIO SIGNAL FROM ROUTE I19 AND ROUTE I42 FOR RAILROAD PREEMPTION

SEE REVISED PAGE I52R

CAMERA EXTENSION BRACKET FOR MAST ARM AND MONOTUBE SIGN BRIDGE

2025 HOURLY VOLUMES

ROUTE 5 - MAIN STREET 2025			ROUTE 5 - MAIN STREET 2025		
AM	PM	MID	AM	PM	MID
43	71	33	55	60	68
571	583	480	358	498	446

US 5 (MAIN STREET) @ ELLIOT STREET

ELECTRICAL CONDUIT SLEEVE (8") (PVC)	WIRED CONDUIT (2") (PVC)	WIRED CONDUIT (2") (PVC) (CONT.)	WIRED CONDUIT (2 1/2") (PVC)
PB9 TO PBII-53' PBIO TO PBII-53'	PB9 TO PBII-60' PBIO TO PBII-64'	PB9 TO PP3A - 14' PB9 TO PP3C - 13' PBIO TO PP3E - 13' PBII TO PP3D - 8'	CONTROLLER TO MP3A - 15' CONTROLLER TO MP3A - 15' CONTROLLER TO PBIO - 38'
CONTROLLER TO LIGHT POLE - 7'			
CONTROLLER TO POWER STANCHION - 7'			
CONTROLLER TO PP3B - 36'			

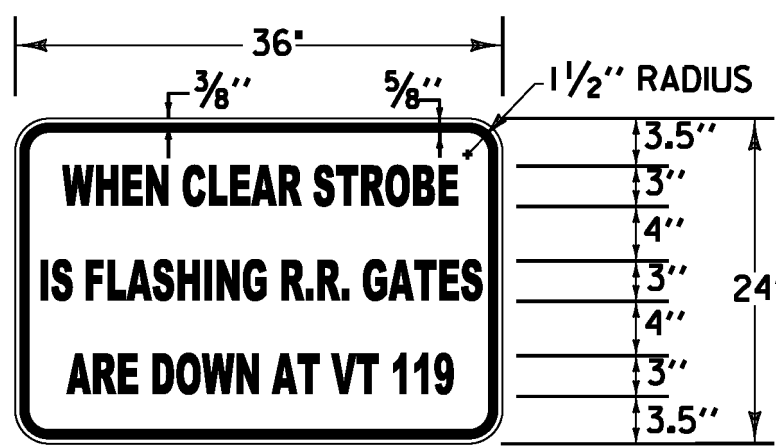
SEE SHEET I57 FOR MAST ARM CROSS SECTION

SEE SHEETS 26-66 FOR PAVEMENT MARKINGS

SEE SHEETS I36-I40 FOR SIGNING LAYOUT

ALL SIGNALS WITHIN THE MAIN STREET SIGNAL SYSTEM ARE COORDINATED AND A PART OF THE WIRELESS RADIO INTERCONNECT.
SEE SHEETS I50, I51, I52 - TRAFFIC SIGNAL SHEETS NO. I, 2 AND 4 FOR THE OTHER LOCATIONS.

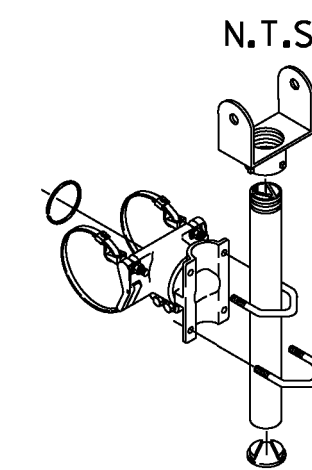
CLEAR STROBE SIGN ATTACH ABOVE



RAILROAD PREEMPTION SIGN DETAIL

MATERIALS: SEE STD. E-144
COLORS: TEXT & BORDER - BLACK
BACKGROUND - WHITE (REFL. ENCAPSULATED LENS)
NOT TO SCALE

NOTE: SEE SIGNING SHEETS FOR ALL OTHER SIGNS.



TWO PIECE CAMERA MOUNT
TUBE LENGTHS: 23, 37, 46, OR 74"
BAND LENGTHS: 29, 36, 42, 48, OR 56"

NOTES:
All assemblies shall have steel fasteners and stainless steel clamp screw kits.
For 2 piece bracket mounts shall be specified for camera type.

EXISTING	NEW	LEGEND
		MAST ARM POLE (MP)
		STRAIN POLE (SP)
		CONTROLLER CABINET
		PULLBOX (PB)/ JUNCTION BOX (JB)
		SIGNAL HEAD
		CONDUIT
		PEDESTAL POST (PP)
		MAST ARM MOUNTED SIGN
		STANCHION
		VIDEO DETECTOR
		VIDEO DETECTION AREA
		OPTICAL DETECTOR

PROJECT NAME: BRATTLEBORO

PROJECT NUMBER: STP 2000(20)

FILE NAME: z08d044trfbdr.dgn

PROJECT LEADER: KEN UPMAL

DESIGNED BY: V. KACOYANNAKIS

TRAFFIC SIGNAL SHEET 3

PLOT DATE: 4/8/2010

DRAWN BY: T. BIGELOW

CHECKED BY: D. SPENCER

SHEET 152 OF 163