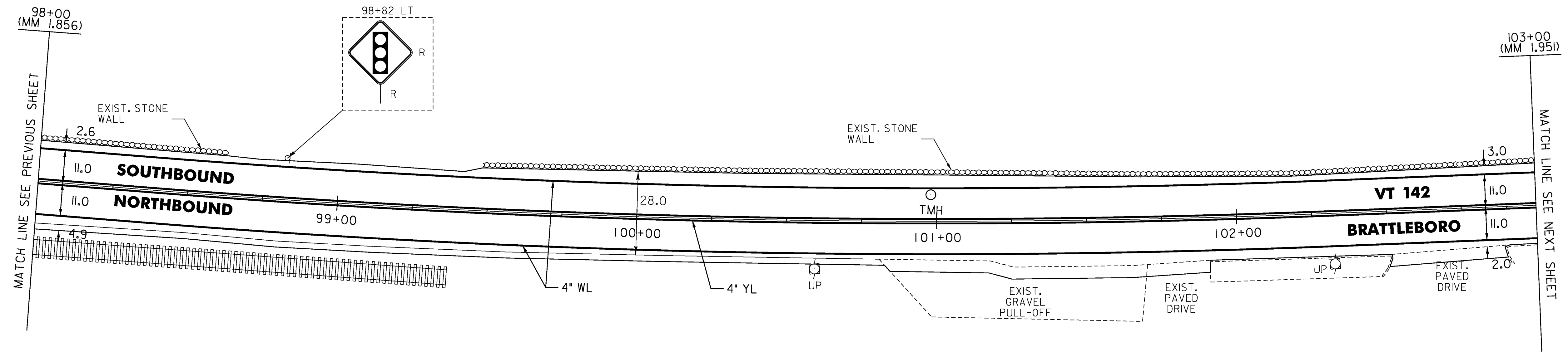


TEMPORARY 4" WHITE LINE, PAINT
 DURABLE 4" WHITE LINE, THERMOPLASTIC
 98+00 TO 103+00 SOLID LT
 98+00 TO 103+00 SOLID RT

TEMPORARY 4" YELLOW LINE, PAINT
 DURABLE 4" YELLOW LINE, THERMOPLASTIC
 98+00 TO 103+00 SOLID LT & RT

CHANGING ELEVATION OF DROP INLETS,
 CATCH BASINS, OR MANHOLES
 (TO BE ADJUSTED BY OWNER)
 100+98 LT (TMH)

REMOVING SIGNS
 AS SHOWN - 1



MODEL: Default

CLD_08-0324_z06D0214.dgn

NOT TO SCALE

LEGEND

- R = REMOVE EXISTING
- S = SALVAGE
- R&S = REMOVE AND SALVAGE
- N = NEW
- RET = RETAIN
- B-B = BACK TO BACK
- = EXISTING GUARDRAIL
- = PROPOSED GUARDRAIL
- YL = YELLOW LINE
- WL = WHITE LINE

ROADWAY LAYOUT 34 VT 142

PROJECT NAME: BRATTLEBORO

PROJECT NUMBER: STP 2623(I)

FILE NAME: /pave/06d214/pd214

PROJECT LEADER: PTS

DESIGNED BY: NLL

IPARM FILE NAME: 06D214_60

PLOT DATE: 3/19/2010

DRAWN BY: MRS

CHECKED BY: PTS

SHEET 60 OF 163