

TEMPORARY 4" WHITE LINE, PAINT
 DURABLE 4" WHITE LINE, RECESSED POLYUREA
 145+00 TO 145+98 SOLID LT
 145+00 TO 146+00 SOLID RT
 146+06 TO 150+50 SOLID LT
 146+60 TO 150+50 SOLID RT

TEMPORARY 4" WHITE LINE, PAINT
 DURABLE 4" WHITE LINE, THERMOPLASTIC
 146+08 TO 146+60 SOLID RT (TH 358)
 146+45 TO 150+50 SOLID RT (TH 358)

TEMPORARY 4" YELLOW LINE, PAINT
 DURABLE 4" YELLOW LINE, RECESSED POLYUREA
 145+00 TO 145+98 SOLID LT & RT
 146+48 TO 150+50 SOLID LT & RT

TEMPORARY 4" YELLOW LINE, PAINT
 DURABLE 4" YELLOW LINE, THERMOPLASTIC
 146+28 DOUBLE SOLID RT (TH 358)

TEMPORARY LETTER OR SYMBOL, PAINT
 DURABLE LETTER OR SYMBOL, THERMOPLASTIC
 146+38 RT - STOP (TH 358)

TEMPORARY CROSSWALK MARKING, PAINT
 DURABLE CROSSWALK MARKING, THERMOPLASTIC
 146+02 TO 146+04 LT TO RT

TEMPORARY 24" STOP BAR, PAINT
 DURABLE 24" STOP BAR, RECESSED TYPE I TAPE
 146+30 TO 146+45 RT

PORTLAND CEMENT CONCRETE SIDEWALK, 5 INCH
 146+00 TO 146+05 LT (LANDING)
 146+01 TO 146+11 RT (LANDING)

DETECTABLE WARNING
 SURFACE (DWS)
 146+03 LT
 146+05 RT

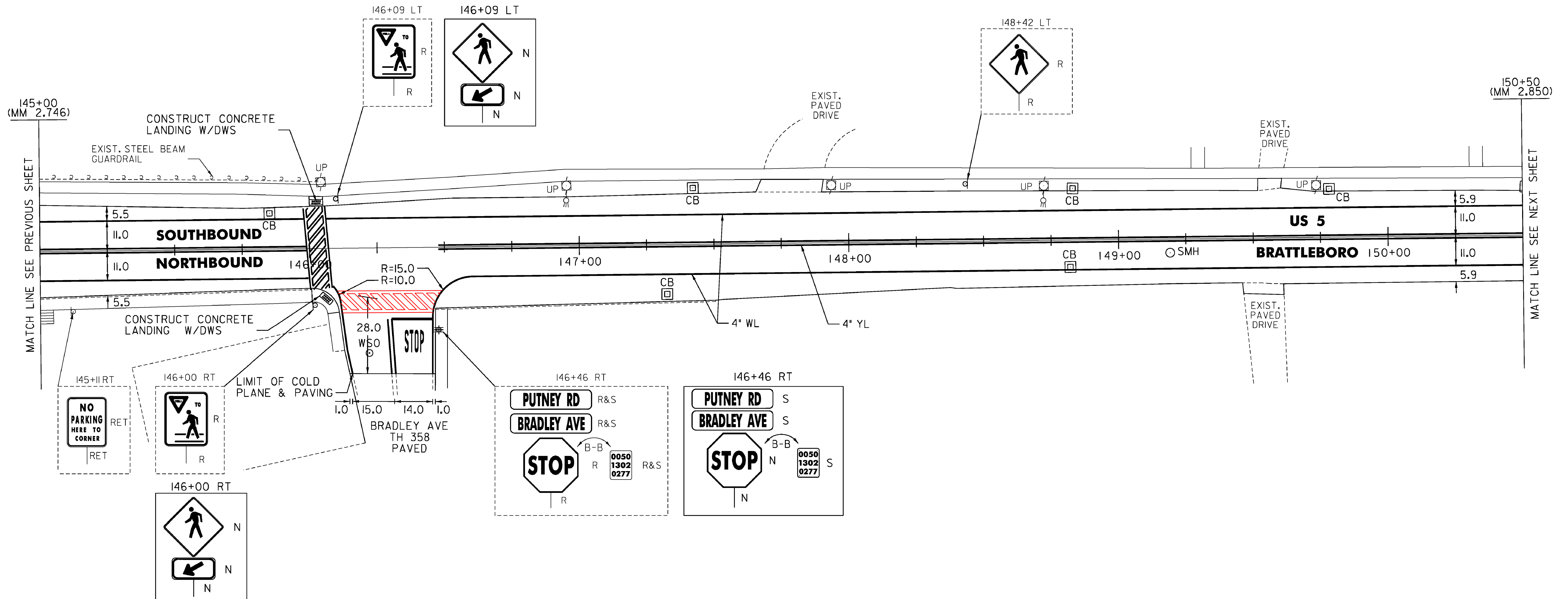
REHAB. DROP INLETS, CATCH BASINS,
 OR MANHOLES, CLASS I, II, OR III
 145+86 LT (CB)
 147+33 RT (CB)
 147+42 LT (CB)
 148+82 RT (CB)
 148+83 LT (CB)
 149+78 LT (CB)

ADJUST ELEVATION
 OF VALVE BOX
 146+22 RT (TH 358)

CHANGING ELEVATION
 OF SEWER MANHOLES
 149+19 RT

REMOVING SIGNS
 AS SHOWN - 7

ERECTING SALVAGED SIGNS
 AS SHOWN - 3



NOT TO SCALE

LEGEND

- R = REMOVE EXISTING
- S = SALVAGE
- R&S = REMOVE AND SALVAGE
- N = NEW
- RET = RETAIN
- B-B = BACK TO BACK
- = EXISTING GUARDRAIL
- = PROPOSED GUARDRAIL
- YL = YELLOW LINE
- WL = WHITE LINE

ROADWAY LAYOUT 23 US 5

PROJECT NAME: BRATTLEBORO	
PROJECT NUMBER: STP 2623(I)	
FILE NAME: /pave/06d214/pd214	PLOT DATE: 3/19/2010
PROJECT LEADER: PTS	DRAWN BY: MRS
DESIGNED BY: NULL	CHECKED BY: PTS
IPARM FILE NAME: 06D214_49	SHEET 49 OF 163