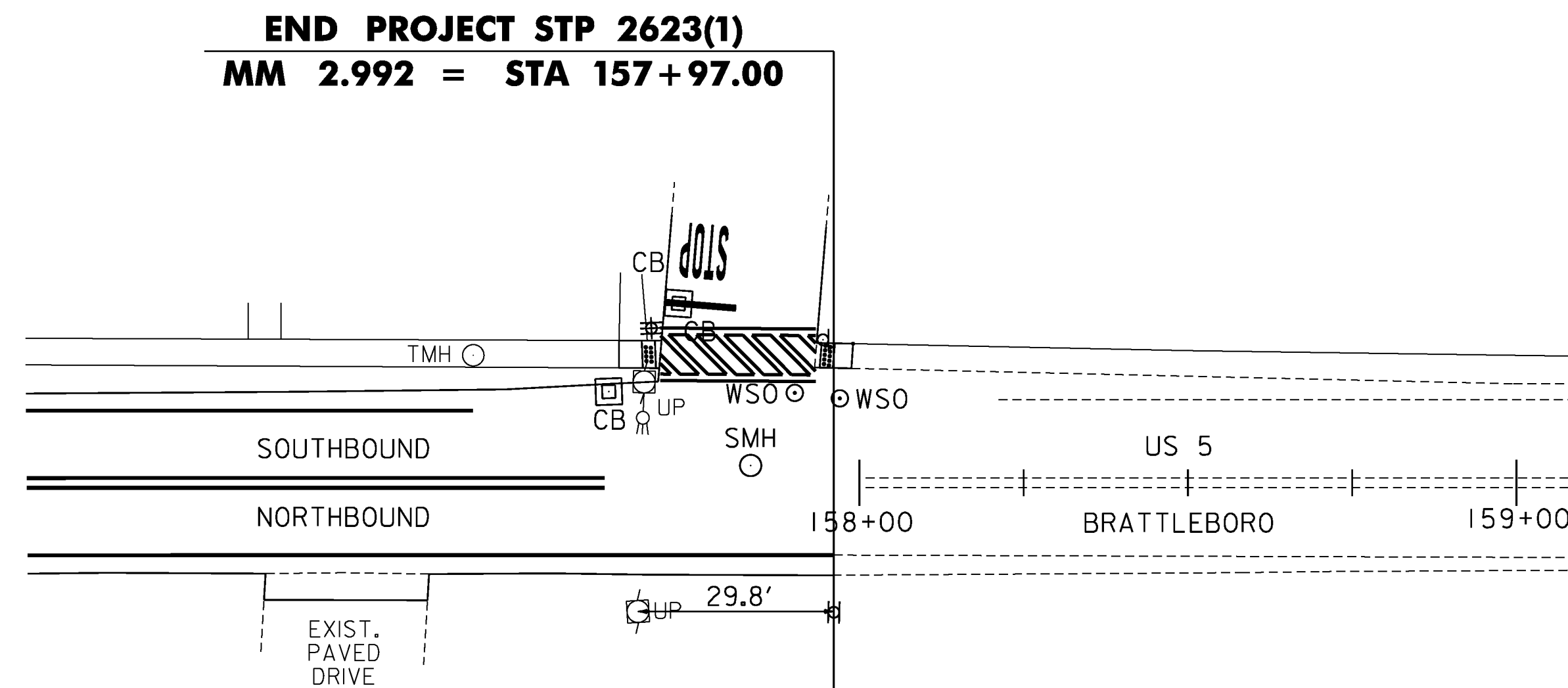
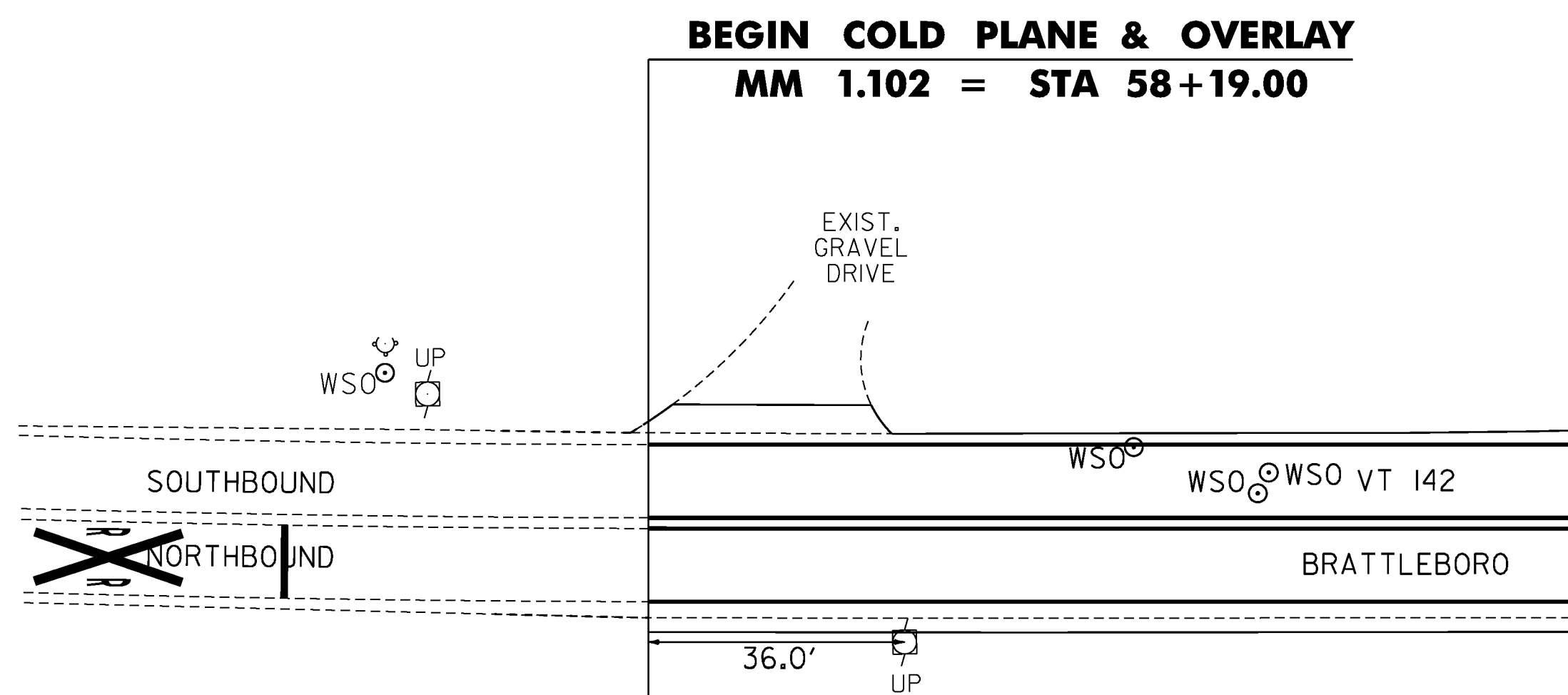


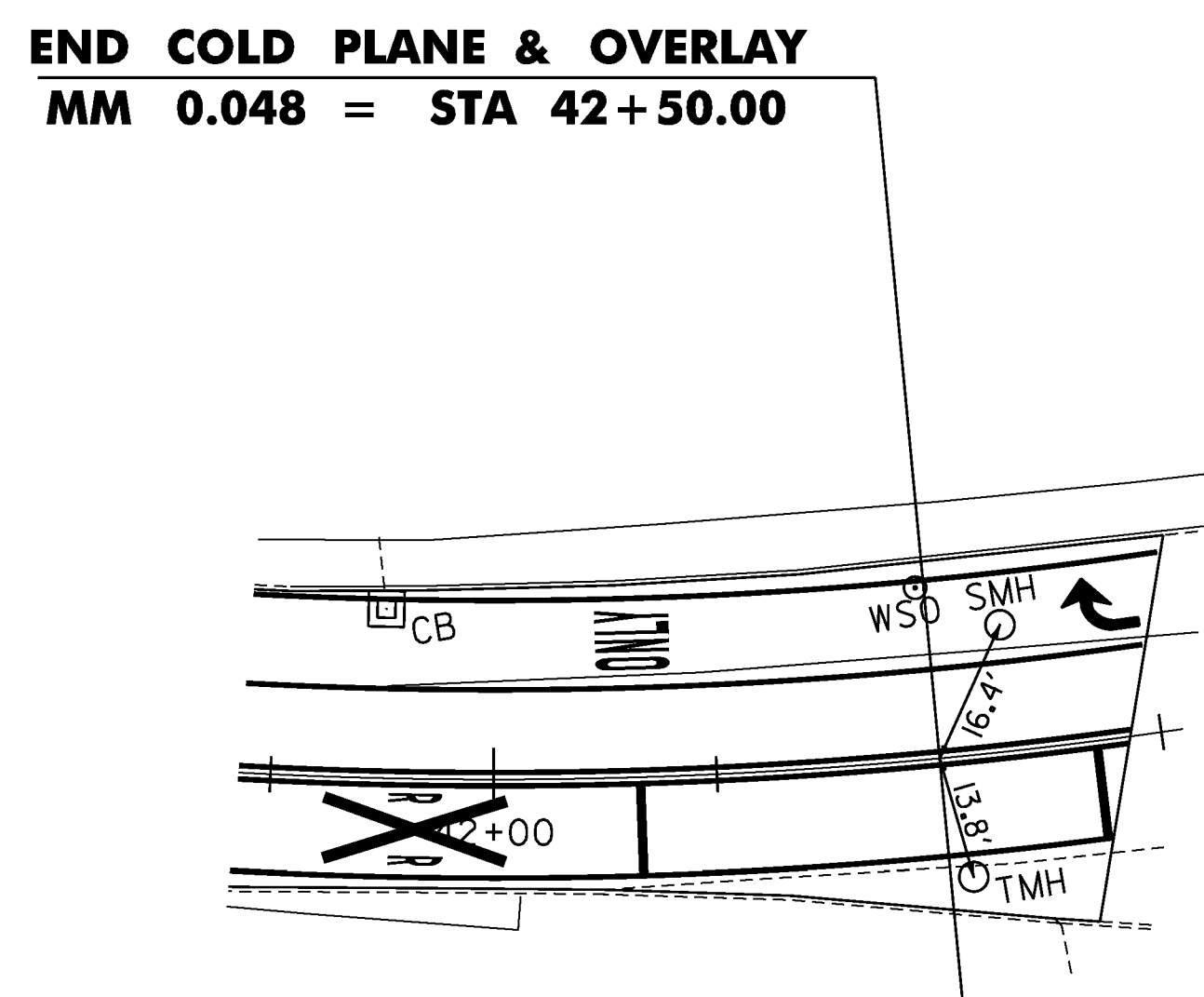
**US 5
BEGIN PROJECT**



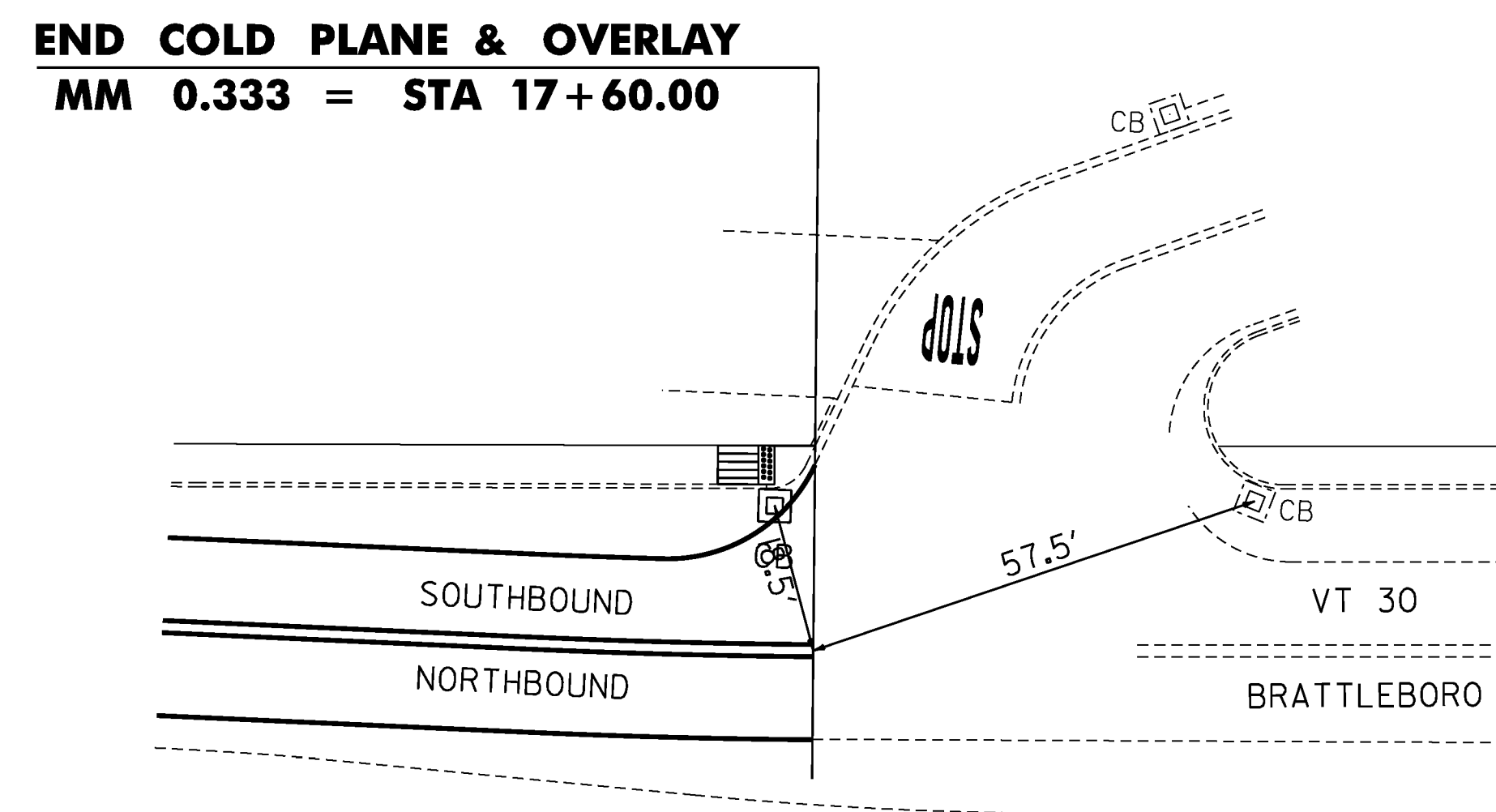
**US 5
END PROJECT**



**VT 142
STP 2623(1)**



**VT 119
STP 2623(1)**



**VT 30
STP 2623(1)**

TIE SHEET

PROJECT NAME: BRATTLEBORO	
PROJECT NUMBER: STP 2623(1)	
FILE NAME: /pave/06d214/pd214	PLOT DATE: 3/19/2010
PROJECT LEADER: PTS	DRAWN BY: WWG
DESIGNED BY: NLL	CHECKED BY: PTS
IPARM FILE NAME: 06D214_08	SHEET 8 OF 163

MODEL: Default

CLD_08-0324_z06D0214.dgn