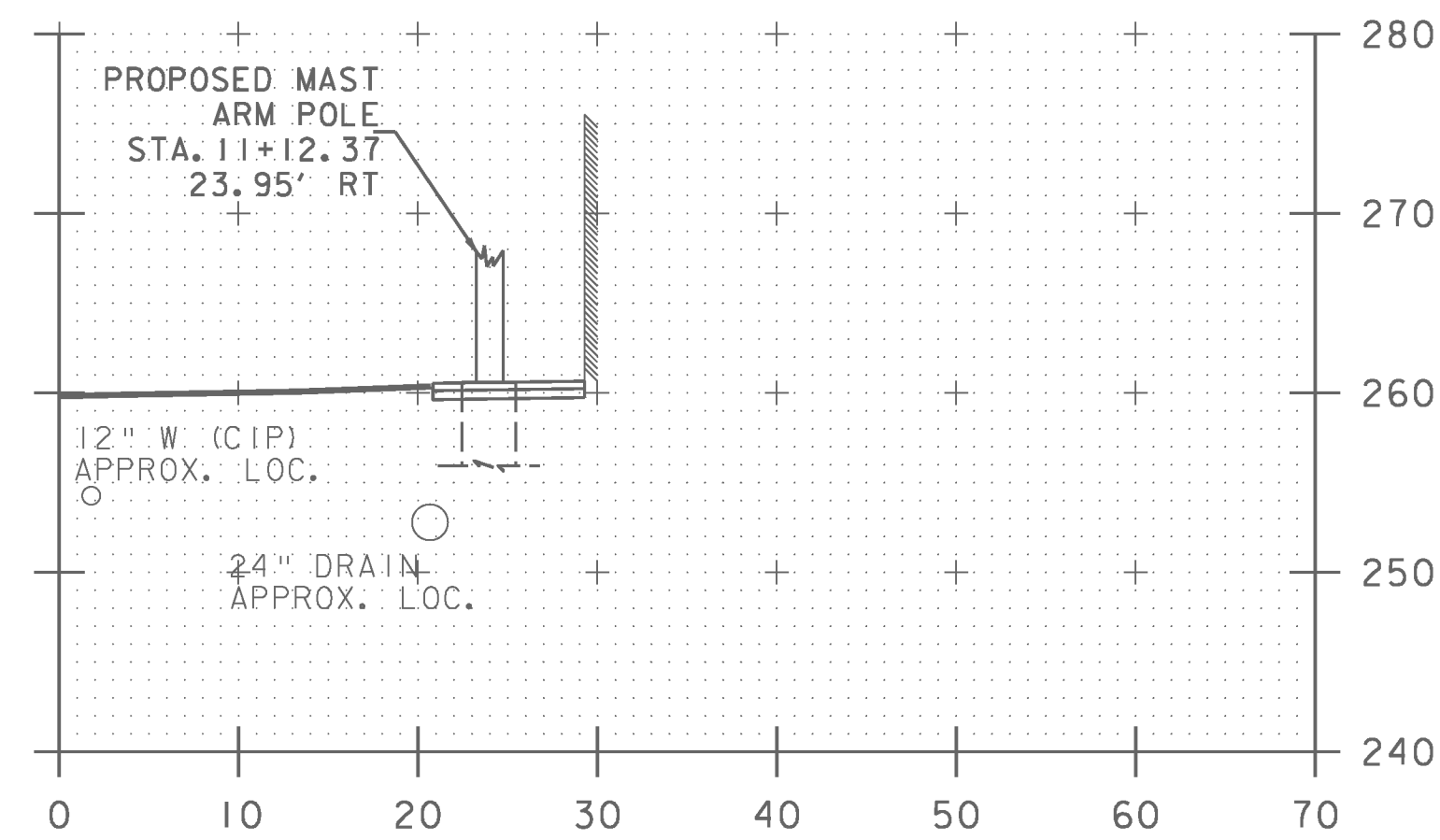
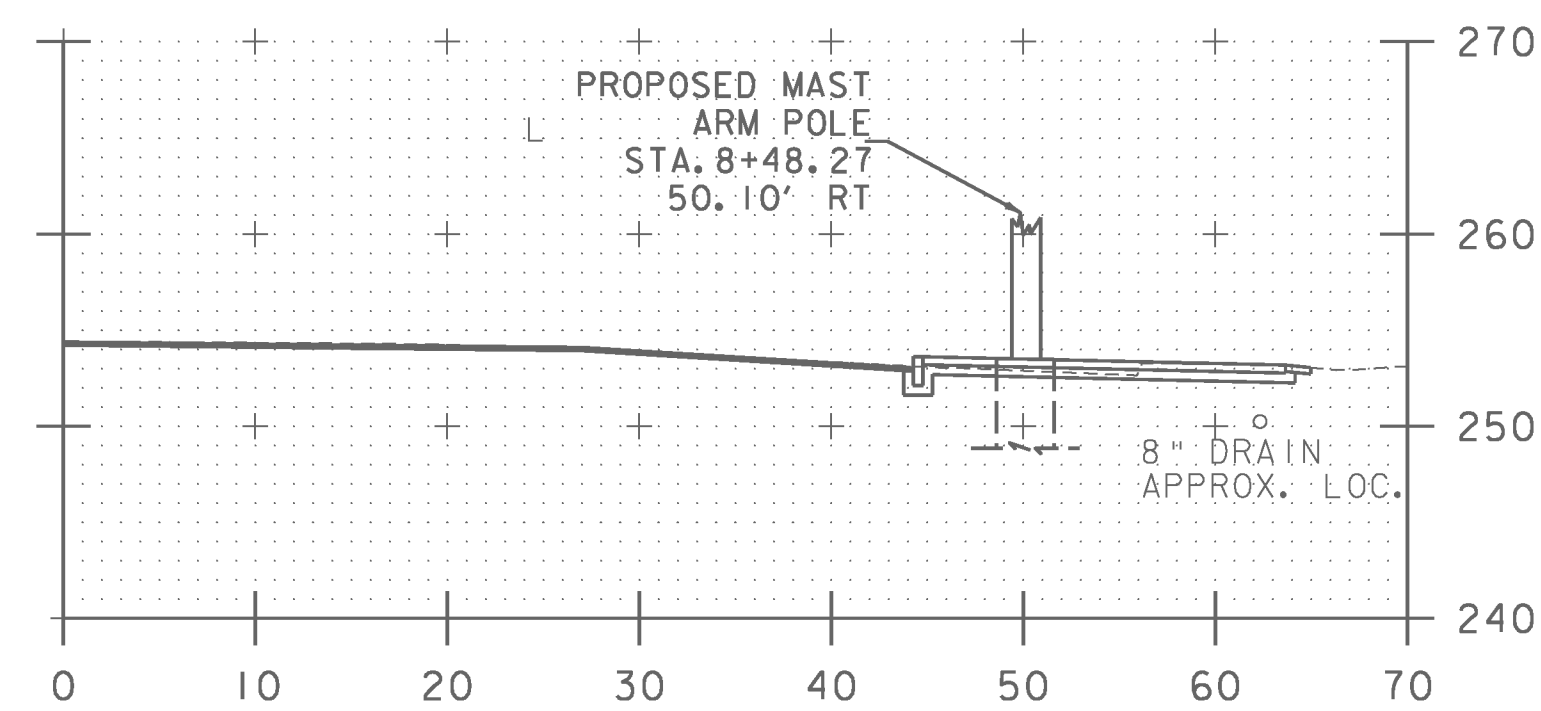


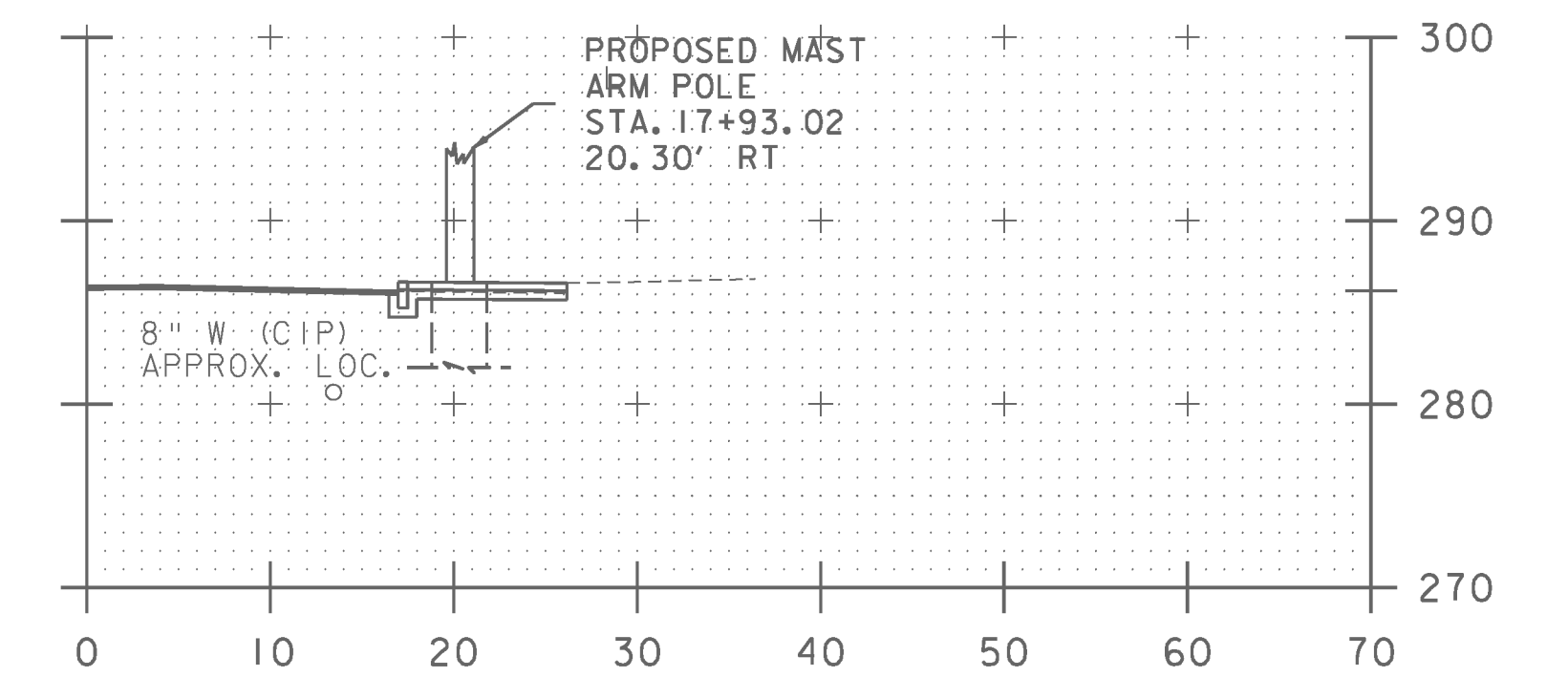
US 5 13+60.62-25.92' RT.
MAST ARM POLE MP3A



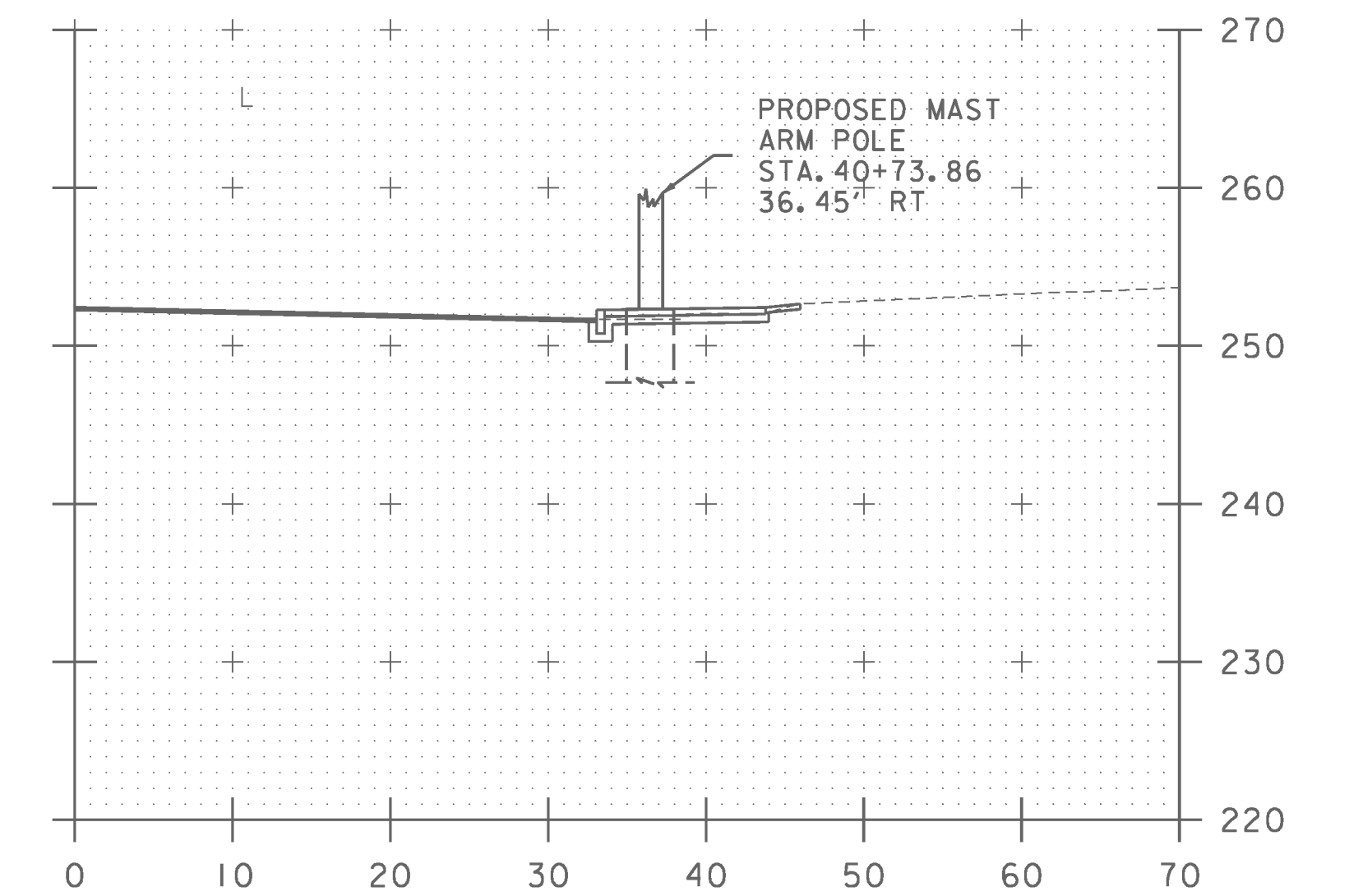
US 5 11+12.37-23.95' RT.
MAST ARM POLE MP2A



US 5 8+48.27-50.10' RT
MAST ARM POLE MP1A



US 5 17+93.02-20.30' RT.
MAST ARM POLE MP4A



VT 119 40+73.86-36.45' RT.
MAST ARM POLE MP1B

GENERAL NOTES:

- 1) THE DIAMETER OF MAST ARM FOUNDATIONS ARE SHOWN FOR GRAPHICAL REPRESENTATION ONLY. REFER TO BRATTLEBORO STP 2000(24) GEOTECHNICAL REPORT BY THE VERMONT AGENCY OF TRANSPORTATION'S SOILS AND FOUNDATIONS SECTION DATED DECEMBER 29, 2009 WHICH IS INCLUDED IN THE CONTRACT DOCUMENTS FOR THIS PROJECT.
- 2) STATION AND OFFSETS INDICATED ARE TO THE CENTER OF THE MAST ARM FOUNDATION.
- 3) THE LOCATIONS AND DEPTHS OF EXISTING GAS, SEWER, TELEPHONE AND WATER LINES SHOWN IN THE SECTIONS ARE APPROXIMATE. THE CONTRACTOR SHALL FIELD VERIFY ALL UTILITY LOCATIONS.

PROJECT NAME: BRATTLEBORO
PROJECT NUMBER: STP 2000(24)

FILE NAME: z08d044xsl.dgn	PLOT DATE: 3/17/2010
PROJECT LEADER: KEN UPMAL	DRAWN BY: A. ACHARYA
DESIGNED BY: V. KACOYANNAKIS	CHECKED BY: D. SPENCER
CROSS SECTIONS AT MAST ARMS	SHEET 163 OF 163