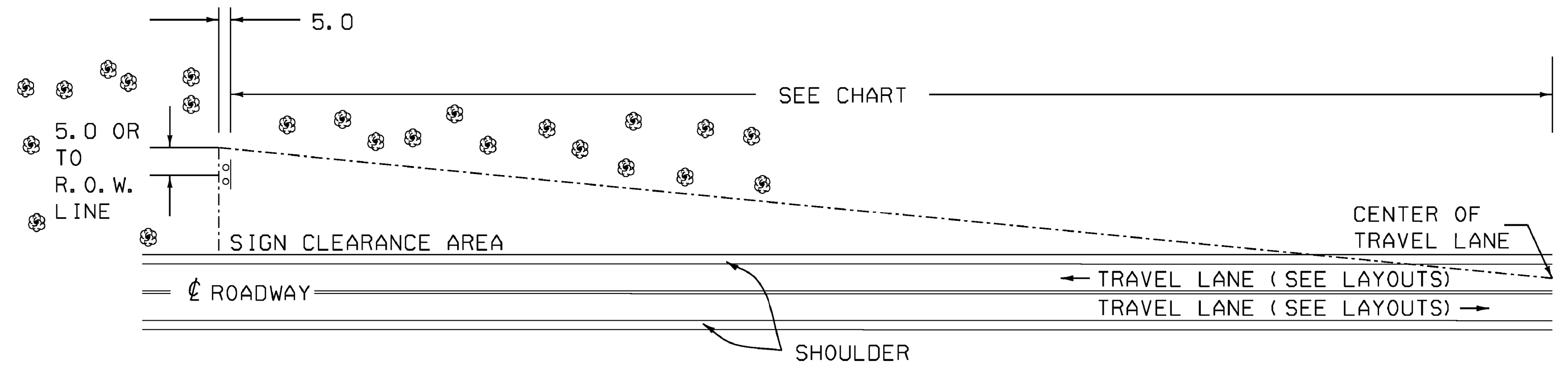


TRANSITION AREA DETAIL - SIDE ROADS

SEE LAYOUT SHEETS FOR LOCATIONS OF ALL SIDE ROADS

US 5 - STA 57+40 BEGIN PROJECT RAMP AND TOWN HIGHWAYS

US 5		US 5 (SB)	
TH 530	- 60+13 RT	TH 342	- 228+67 LT
TH 10	- 64+44 LT	CHAPIN ST	- 230+96 LT
TH 396	- 70+43 LT	VT 142	
TH 512	- 71+11 RT	TH 496	- 93+76 LT
TH 398	- 72+92 LT	VT 30	
TH 504	- 73+80 RT	TH 334	- 2+05 LT
TH 400	- 79+84 LT		
TH 494	- 80+49 RT		
TH 428	- 87+74 LT		
TH 486	- 88+10 RT		
TH 478	- 91+99 RT		
TH 476	- 93+31 RT		
TH 430	- 94+02 LT		
TH 11	- 98+58 LT		
TH 468	- 99+27 RT		
TH 468	- 105+94 RT		
TH 9	- 109+59 RT		
ARCH ST	- A 10+42 RT		
TH 442	- A 11+02 LT		
TH 11	- A 13+69 LT		
TH 2	- A 17+90 LT		
TH 346	- B 23+91 LT		
TH 368	- 127+96 RT		
TH 366	- 131+55 RT		
TH 364	- 136+11 RT		
TH 362	- 141+92 RT		
TH 358	- 146+29 RT		
TH 356	- 154+65 RT		
TH 354	- 157+84 LT		



THE CONTRACTOR SHALL REMOVE ALL WOODY STEMMED GROWTH INCLUDING BRUSH, SAPLINGS AND TREE LIMBS GROWING WITHIN OR PROJECTING INTO THE CLEARANCE AREA AND DOWN TO GROUND LEVEL. PAYMENT WILL BE UNDER ITEM 201.31, THINNING AND TRIMMING FOR SIGNS. NO CHEMICALS (POISONS OR DEFOLIANTS) WILL BE ALLOWED.

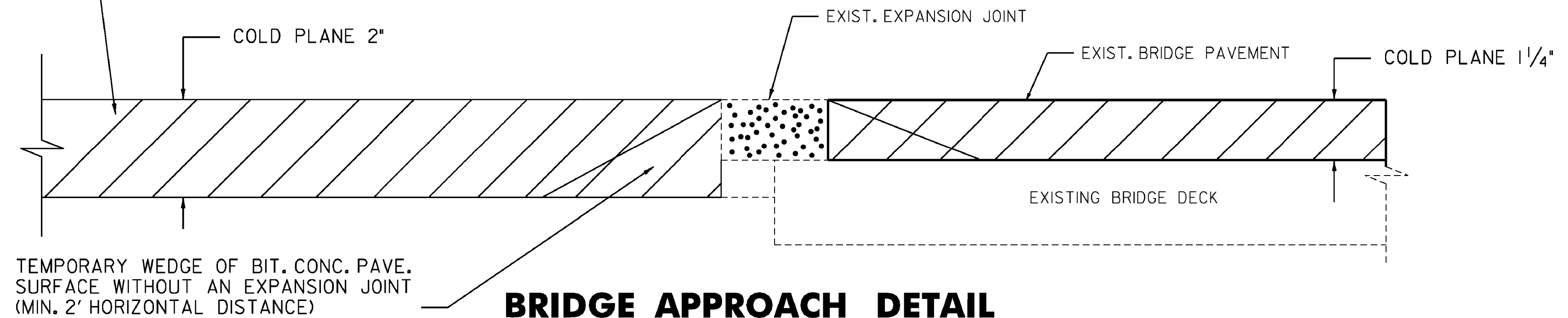
MINIMUM SIGN SIGHT DISTANCE CHART

APPROACH SPEED (mph)	SIGHT DISTANCE (feet)
30 OR LESS	300
35	350
40	400
45	450
50	500
55	550

THINNING AND TRIMMING DETAIL

LOCATION	
US 5	US 5 SOUTHBOUND
62+08 LT	226+00 LT
93+43 RT	VT 30
101+09 LT	2+60 LT
	3+40 LT
	3+80 LT

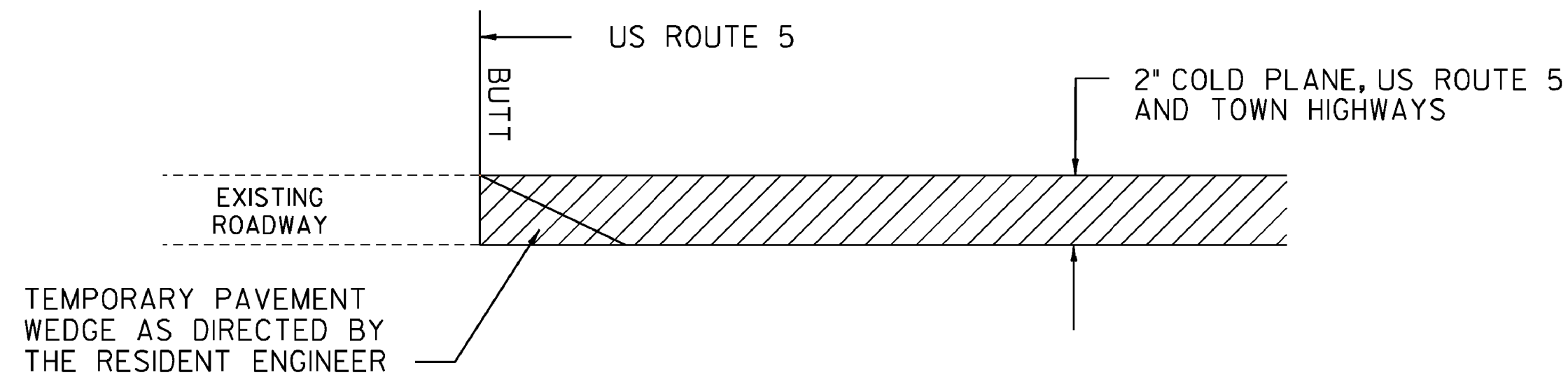
PAVE 1/2", LEVEL 1/2" TYPE IVS



BRIDGE APPROACH DETAIL

LOCATION

US ROUTE 5
BRIDGE 7 - A 9+19 (MM 2.136)



APPROACH AREA DETAIL - MAINLINE

LOCATION

US 5	-	57+40 BEGIN PROJECT
US 5	-	157+97 END PROJECT
VT 30	-	17+60 END COLD PLANE
VT 119	-	42+50 STOP COLD PLANE
VT 142	-	58+19 BEGIN COLD PLANE

PROJECT TYPICAL SHEET 2

PROJECT NAME: BRATTLEBORO
PROJECT NUMBER: STP 2623(I)

FILE NAME: /pave/06d214/pd214
PROJECT LEADER: PTS
DESIGNED BY: NULL
IPARM FILE NAME: 06D214_I0

PLOT DATE: 3/19/2010
DRAWN BY: WWG
CHECKED BY: PTS
SHEET 10 OF 163

NOT TO SCALE

MODEL: Default

CLD_08-0324_Z06D0214.dgn