

LIMITS OF WORK

STA 14+53 - 16+67	LT
STA 14+53 - 18+39	RT
STA 16+83 - 18+38	LT

ITEM 613.10 - STONE FILL, TYPE I

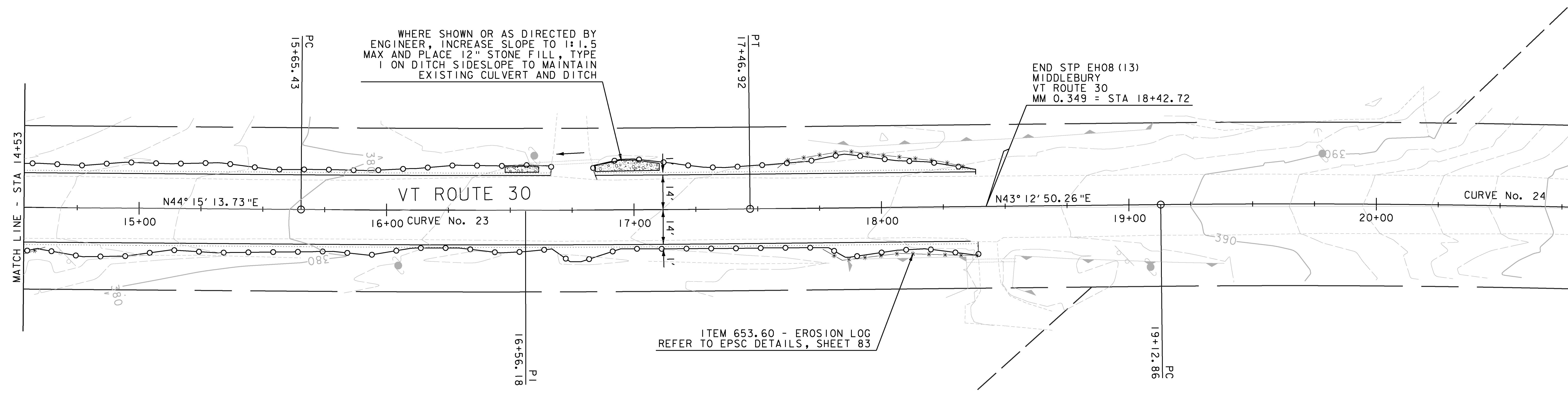
STA 16+48 - 16+62	LT
STA 16+84 - 17+10	LT

ITEM 653.60 - EROSION LOG

STA 14+53 - 14+62	RT
STA 17+58 - 18+38	LT
STA 17+76 - 18+39	RT

LEGEND

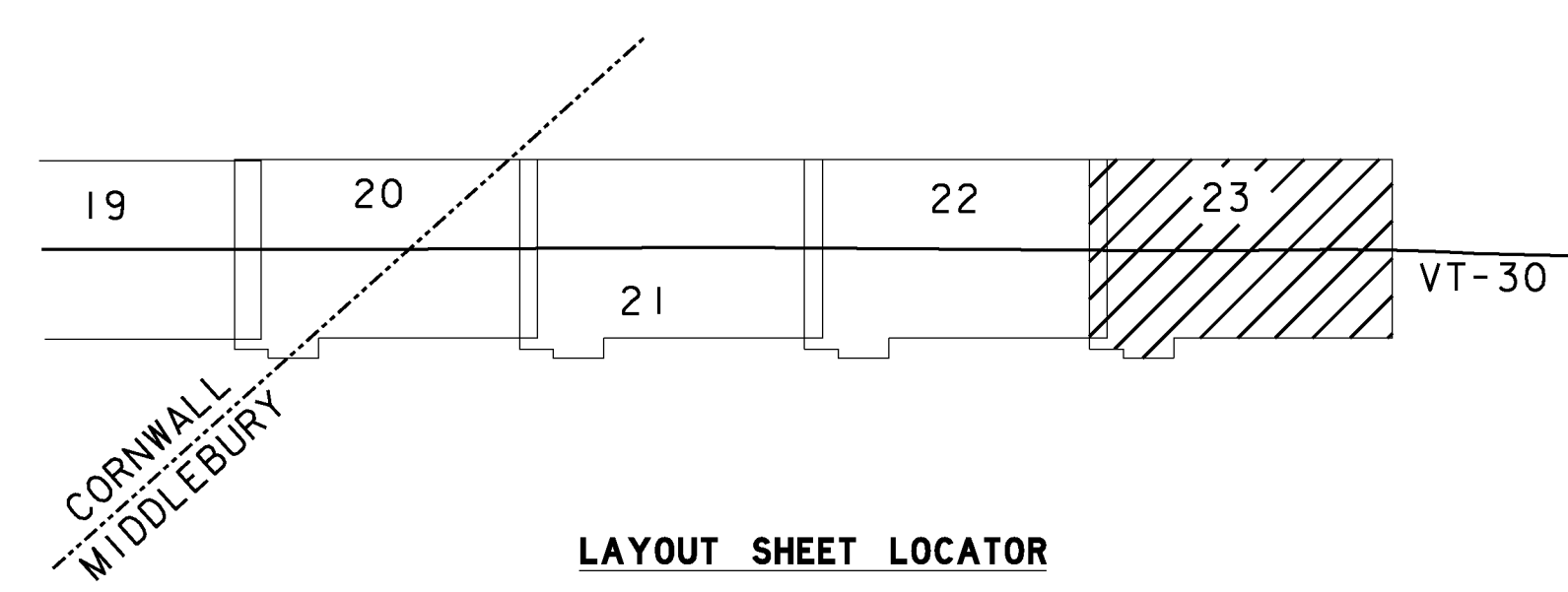
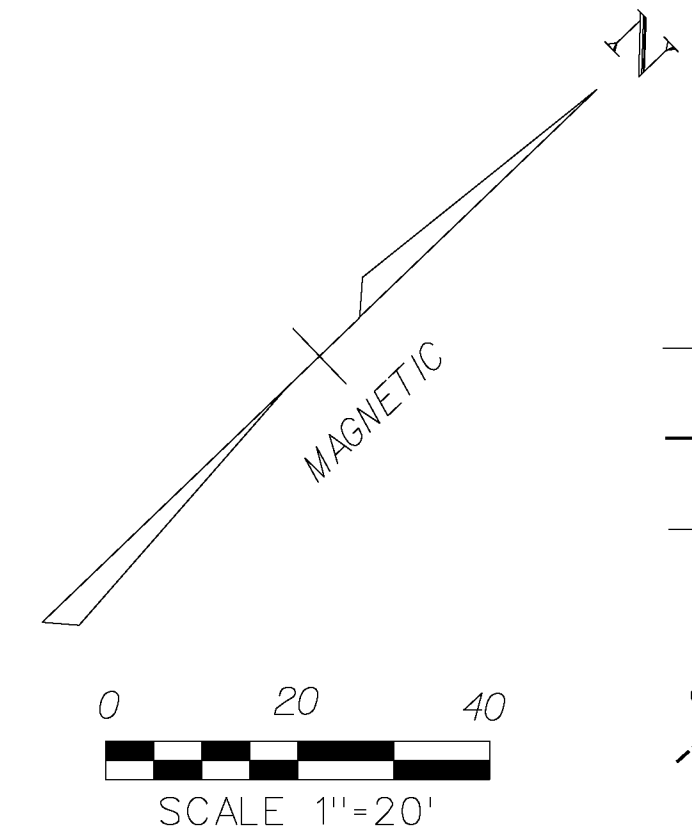
EXISTING EDGE OF PAVEMENT	-----
EXISTING CULVERT	=====
EXISTING STONE WALL	o-o-o-o-o-o-o-o
EXISTING FENCE	x-x-x-x-x-x-x-x
EXISTING TREE LINE	~*~*~*~*~*~*~*
EXISTING TREES	⊙ ⊙ ⊙ ⊙ ⊙ ⊙ ⊙ ⊙
WETLAND BOUNDARY	⊙ ⊙ ⊙ ⊙ ⊙ ⊙ ⊙ ⊙
TOE OF SLOPE	—○—○—○—○—○—○—○—○—
TOE OF CUT	—○—○—○—○—○—○—○—○—
EXISTING RIGHT OF WAY	—○—○—○—○—○—○—○—○—
EXISTING SIDELINES	—○—○—○—○—○—○—○—○—
PROJECT DEMARCATION FENCE	PDF—PDF
EROSION LOG	*-*-*-*
TEMPORARY INLET PROTECTION	⊙
EROSION MATTING	▨
STONE FILL	▨
CULVERT FLOW DIRECTION	→



ITEM 653.60 - EROSION LOG
REFER TO EPSC DETAILS, SHEET 83

END STP EH08 (13)
MIDDLEBURY
VT ROUTE 30
MM 0.349 = STA 18+42.72

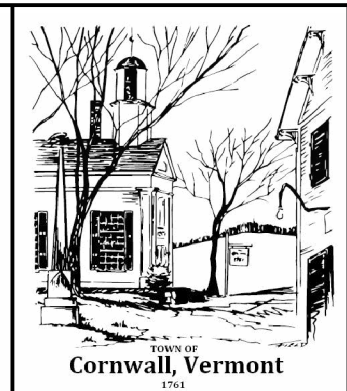
WHERE SHOWN OR AS DIRECTED BY
ENGINEER, INCREASE SLOPE TO 1:1.5
MAX AND PLACE 12" STONE FILL, TYPE
I ON DITCH SIDESLOPE TO MAINTAIN
EXISTING CULVERT AND DITCH



CURVE No. 23 DATA	CURVE No. 24 DATA
Δ = 1°02' 23" LT	Δ = 3°53' 20" RT
R = 10000 FT	R = 5000 FT
T = 90.75 FT	T = 169.75 FT
L = 181.49 FT	L = 339.38 FT
E = 0.41 FT	E = 2.88 FT
D = 0°34' 23"	D = 1°08' 45"

DATUM
VERTICAL NAVD 88
HORIZONTAL NAD 83

NO.	DATE	REVISIONS	BY	CK'D



PROJECT NAME: CORNWALL - MIDDLEBURY
PROJECT NUMBER: STP EH08(13)
FILE NAME: Z08F122BDR NU.DGN
PROJECT LEADER: MS
DESIGNED BY: CM
LAYOUT SHEET 23
PLOT DATE: 06/09/2010
DRAWN BY: CM
CHECKED BY: MS
SHEET 80 OF 133