

**LIMITS OF WORK**  
 STA 8+53 - 14+53 LT  
 STA 8+53 - 14+53 RT

ITEM 601.0025 - 24" CSP (0.064, 2-2/3 X 1/2)  
 STA. 9+94 LT & RT

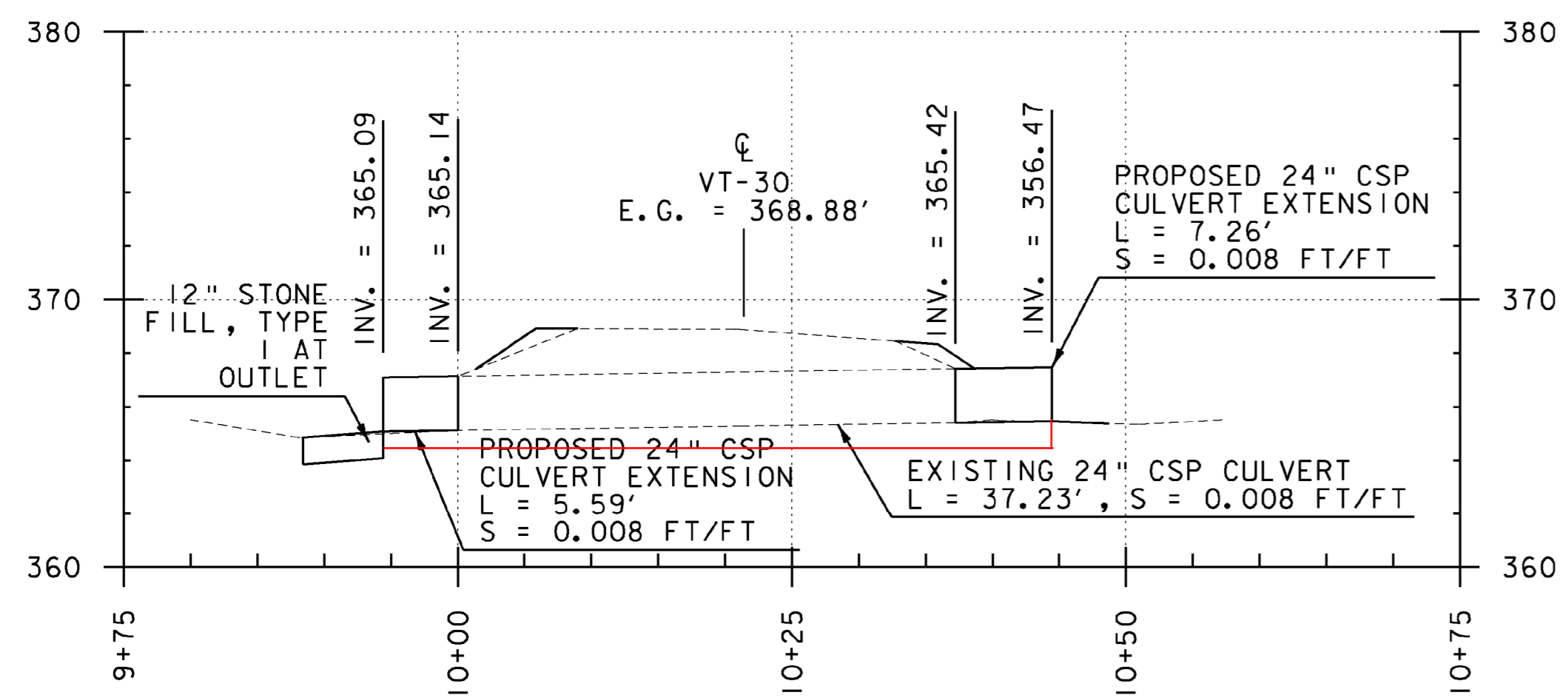
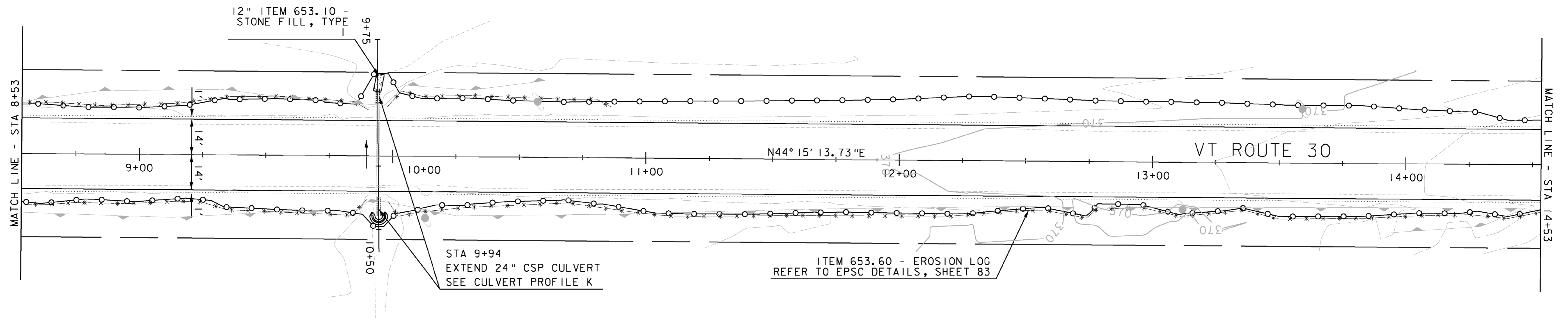
ITEM 613.10 - STONE FILL, TYPE I  
 STA 9+94 28.0 LT

ITEM 653.40 - INLET PROTECTION DEVICE, TYPE I  
 STA 9+95 25.1 RT

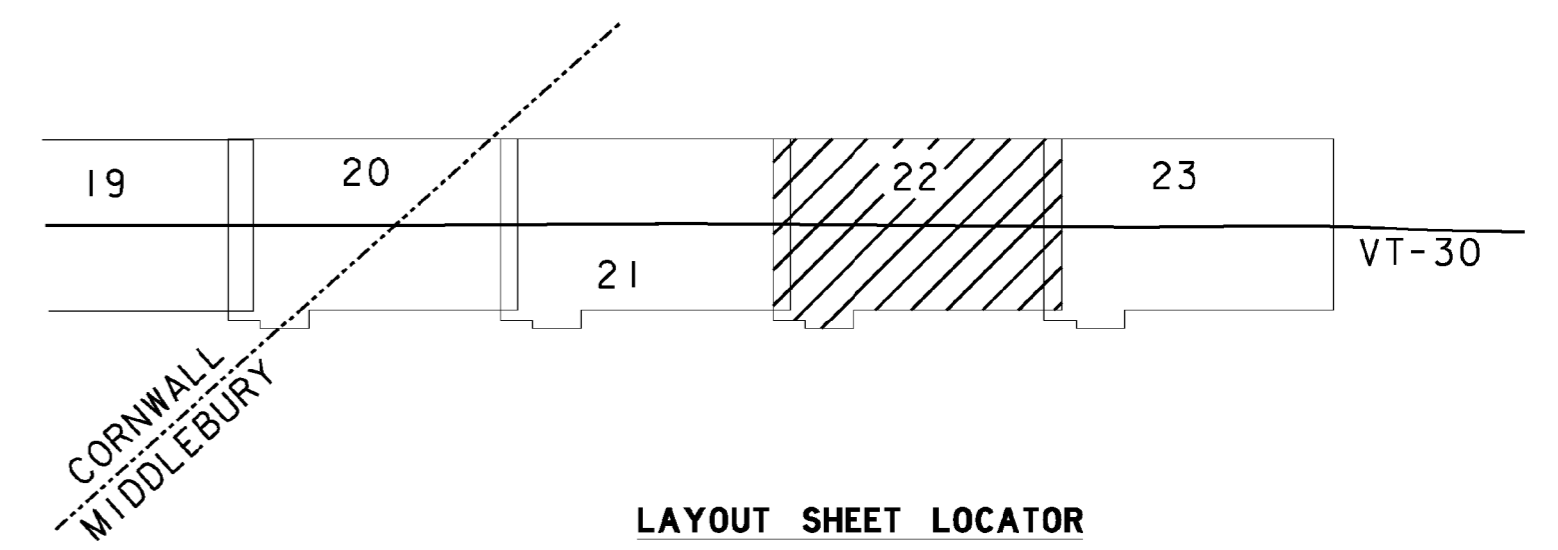
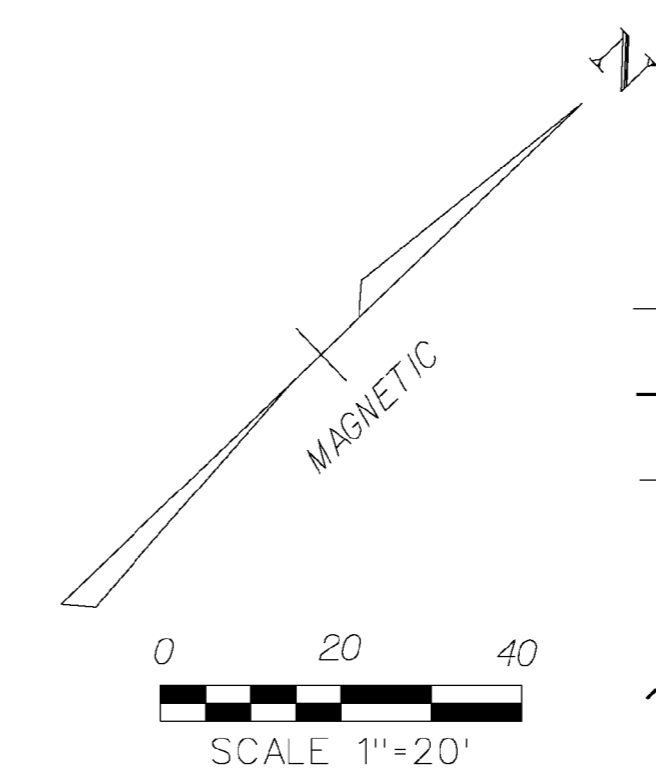
ITEM 653.60 - EROSION LOG  
 STA 8+53 - 10+86 LT  
 STA 8+53 - 14+53 RT

**LEGEND**

EXISTING EDGE OF PAVEMENT	-----
EXISTING CULVERT	=====
EXISTING STONE WALL	o-o-o-o-o-o
EXISTING FENCE	x-x-x-x-x-x
EXISTING TREE LINE	~*~*~*~*~*
EXISTING TREES	⊕ ⊕ ⊕ ⊕
WETLAND BOUNDARY	~*~*~*~*~*
TOE OF SLOPE	-----
TOE OF CUT	-----
EXISTING RIGHT OF WAY	-----
EXISTING SIDELINES	-----
PROJECT DEMARCATION FENCE	PDF-PDF
EROSION LOG	*-*-*
TEMPORARY INLET PROTECTION	⊕
EROSION MATTING	▨
STONE FILL	▨
CULVERT FLOW DIRECTION	→



STA 9+94  
 CULVERT PROFILE K  
 SCALE:  
 1"=10' H  
 1"=5' V



DATUM  
 VERTICAL NAVD 88  
 HORIZONTAL NAD 83

NO.	DATE	REVISIONS	BY	CK'D



PROJECT NAME: CORNWALL - MIDDLEBURY  
 PROJECT NUMBER: STP EH08(13)

FILE NAME: Z08F122BDR NU.DGN  
 PROJECT LEADER: MS  
 DESIGNED BY: CM  
 LAYOUT SHEET 22

PLOT DATE: 06/09/2010  
 DRAWN BY: CM  
 CHECKED BY: MS  
 SHEET 79 OF 133