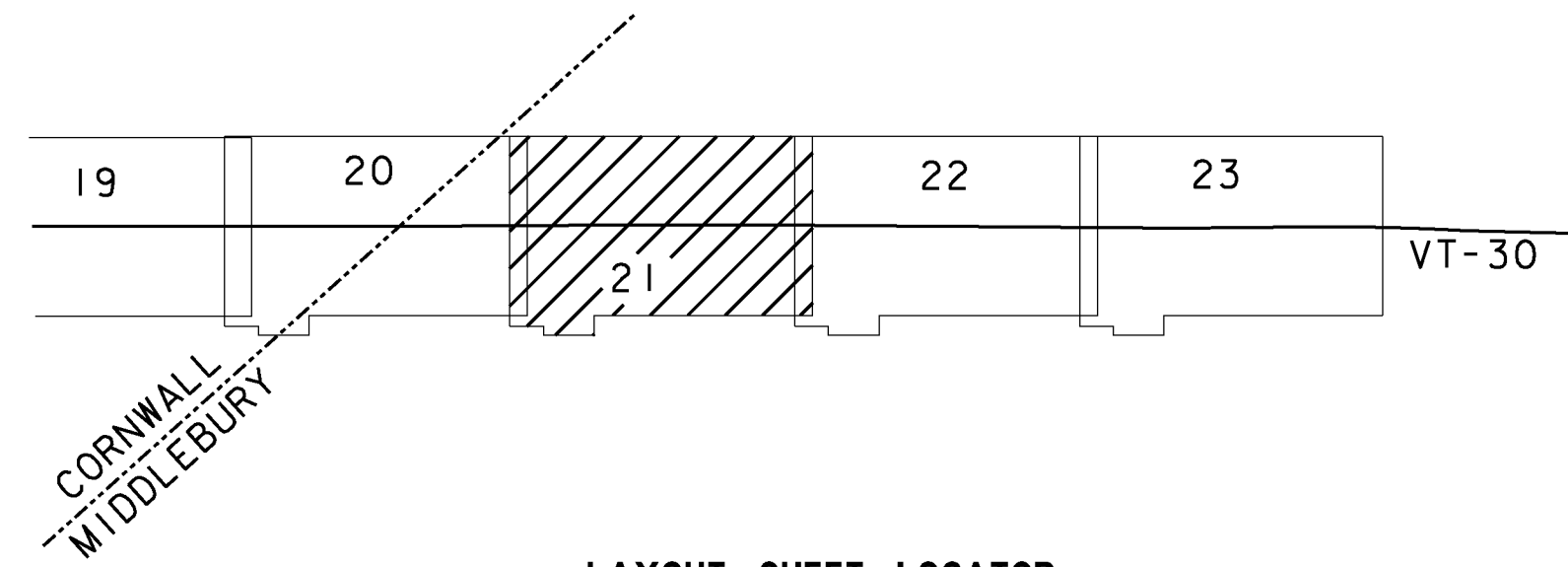
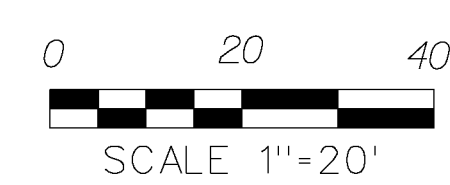
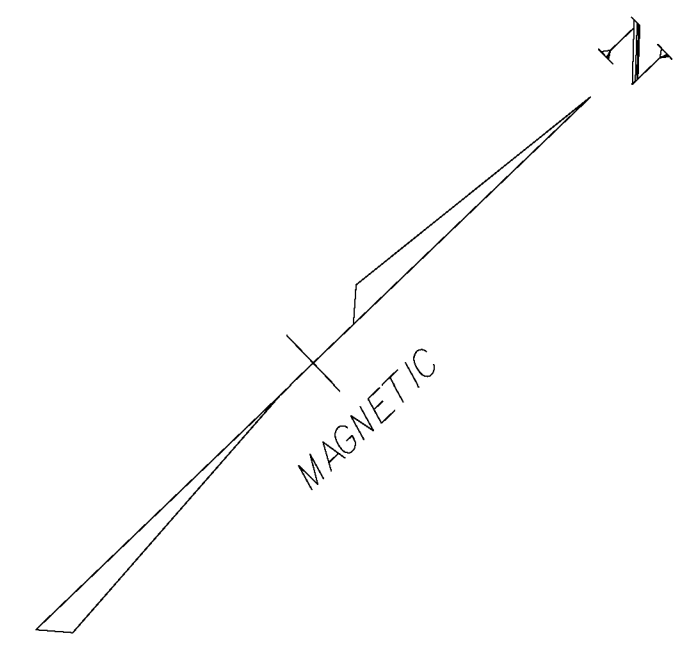
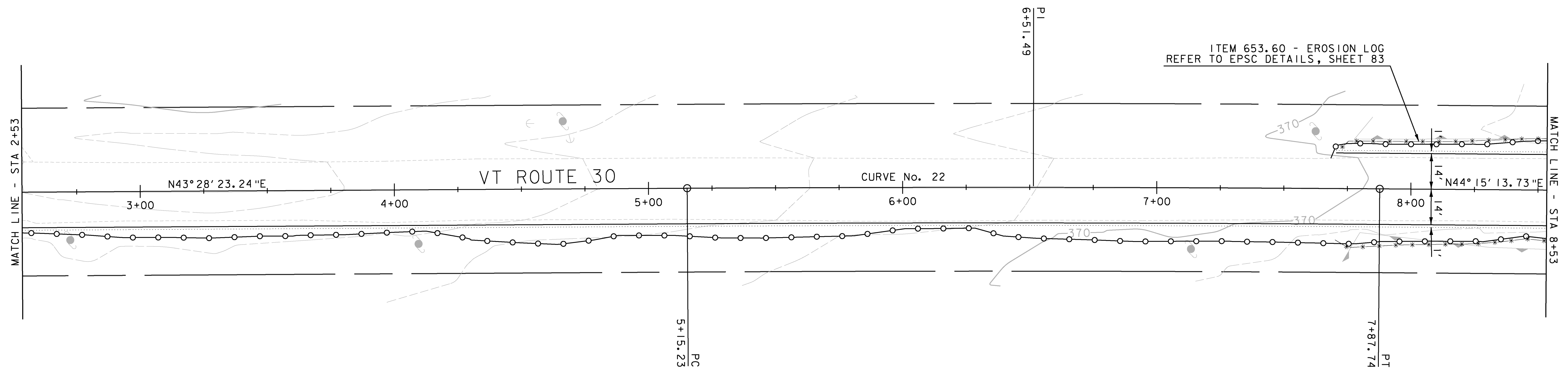


LIMITS OF WORK
 STA 2+53 - 8+53 RT
 STA 7+68 - 8+53 LT

ITEM 653.60 - EROSION LOG
 STA 7+70 - 8+53 RT
 STA 7+72 - 8+53 LT

LEGEND

- EXISTING EDGE OF PAVEMENT
- EXISTING CULVERT
- EXISTING STONE WALL
- EXISTING FENCE
- EXISTING TREE LINE
- EXISTING TREES
- WETLAND BOUNDARY
- TOE OF SLOPE
- TOE OF CUT
- EXISTING RIGHT OF WAY
- EXISTING SIDELINES
- PROJECT DEMARCATION FENCE
- EROSION LOG
- TEMPORARY INLET PROTECTION
- EROSION MATTING
- STONE FILL
- CULVERT FLOW DIRECTION



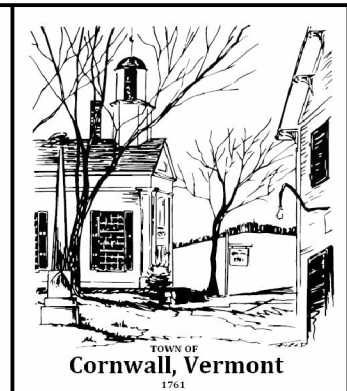
LAYOUT SHEET LOCATOR

CURVE No. 22 DATA
 $\Delta = 0^\circ 46' 50''$ RT
 R = 20000 FT
 T = 136.26 FT
 L = 272.51 FT
 E = 0.46 FT
 D = $0^\circ 17' 11''$

DATUM
 VERTICAL NAVD 88
 HORIZONTAL NAD 83

NO.	DATE	REVISIONS	BY	CK'D

R S G INC.
 RESOURCE SYSTEMS GROUP, INC.
60 Lake Street, Unit 1E • Burlington, Vermont 05401
 TEL 802.383.0118 • FAX 802.383.0122 • www.rsginc.com



PROJECT NAME: CORNWALL - MIDDLEBURY
 PROJECT NUMBER: STP EH08(13)
 FILE NAME: Z08F122BDR NU.DGN
 PROJECT LEADER: MS
 DESIGNED BY: CM
 LAYOUT SHEET 21

PLOT DATE: 06/09/2010
 DRAWN BY: CM
 CHECKED BY: MS
 SHEET 78 OF 133