

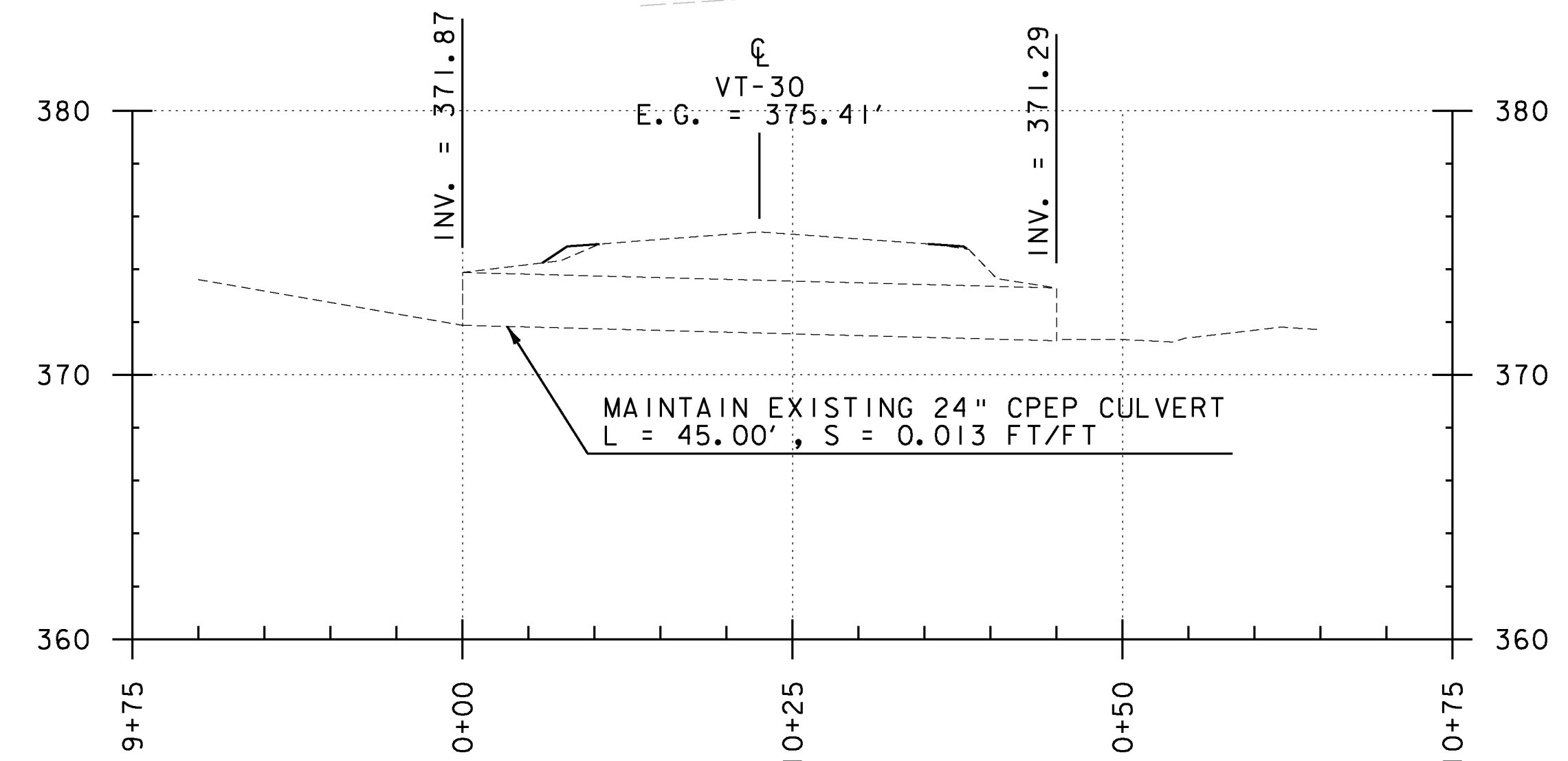
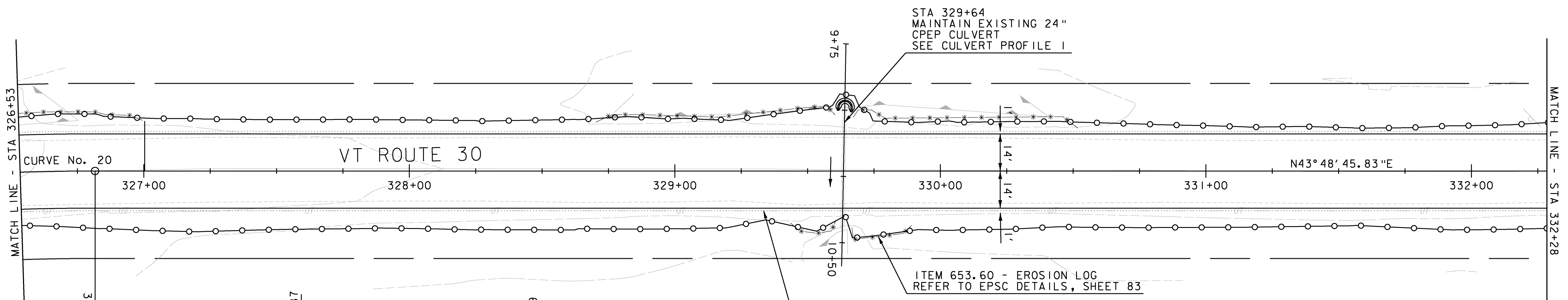
**LIMITS OF WORK**  
 STA 326+53 - 332+28 LT  
 STA 326+53 - 332+28 RT

**ITEM 653.40 - INLET PROTECTION DEVICE, TYPE I**  
 STA 329+64 25.4 LT

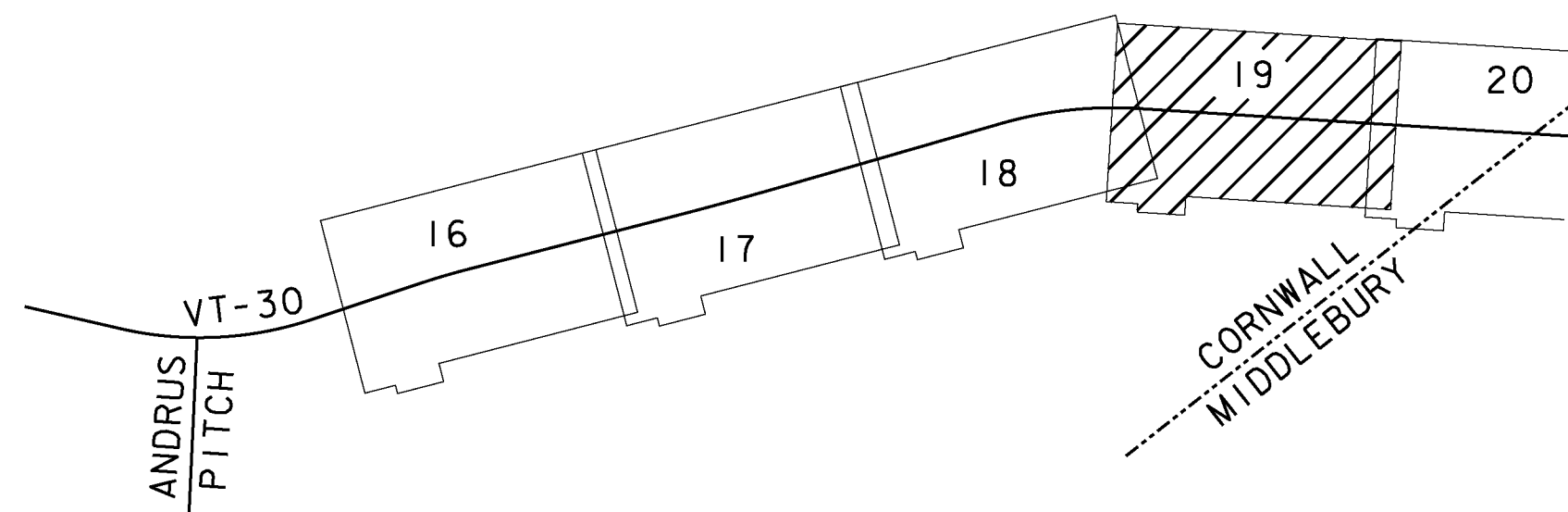
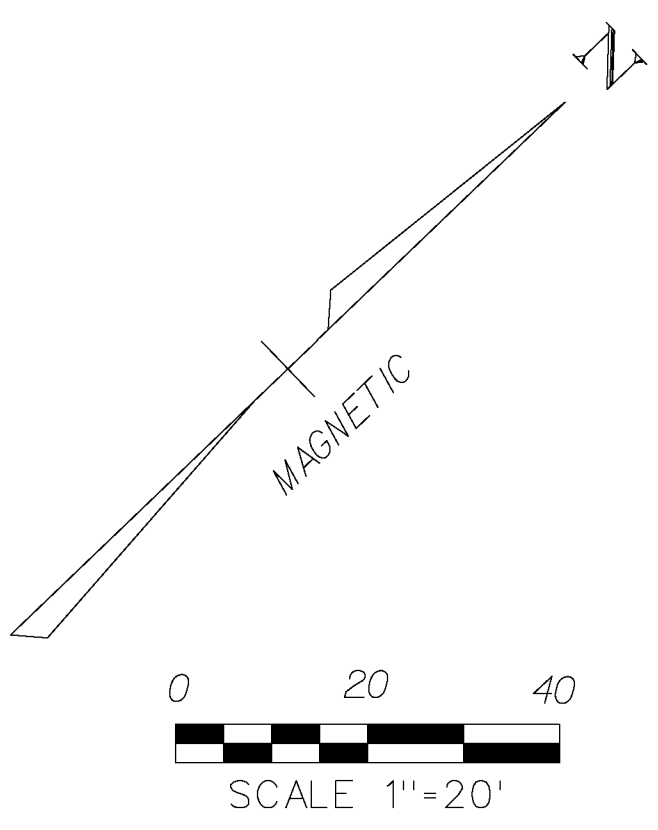
**ITEM 653.60 - EROSION LOG**  
 STA 326+53 - 327+00 LT  
 STA 328+70 - 330+53 LT  
 STA 329+44 - 329+89 RT

**LEGEND**

- EXISTING EDGE OF PAVEMENT
- EXISTING CULVERT
- EXISTING STONE WALL
- EXISTING FENCE
- EXISTING TREE LINE
- EXISTING TREES
- WETLAND BOUNDARY
- TOE OF SLOPE
- TOE OF CUT
- EXISTING RIGHT OF WAY
- EXISTING SIDELINES
- PROJECT DEMARCATION FENCE
- EROSION LOG
- TEMPORARY INLET PROTECTION
- EROSION MATTING
- STONE FILL
- CULVERT FLOW DIRECTION



STA 329+64  
 CULVERT PROFILE 1  
 SCALE:  
 1"=10' H  
 1"=5' V



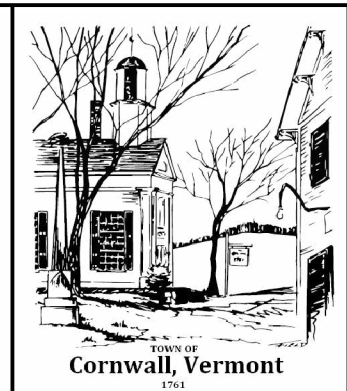
LAYOUT SHEET LOCATOR

**CURVE No. 20 DATA**  
 $\Delta = 19^\circ 45' 12''$  RT  
 R = 910 FT  
 T = 158.44 FT  
 L = 312.18 FT  
 E = 13.69 FT  
 D =  $6^\circ 17' 46''$

DATUM  
 VERTICAL NAVD 88  
 HORIZONTAL NAD 83

NO.	DATE	REVISIONS	BY	CK'D

**R S G INC.**  
 RESOURCE SYSTEMS GROUP, INC.  
 60 Lake Street, Unit 1E • Burlington, Vermont 05401  
 TEL 802.383.0118 • FAX 802.383.0122 • www.rsginc.com



PROJECT NAME: CORNWALL - MIDDLEBURY  
 PROJECT NUMBER: STP EH08(13)  
 FILE NAME: Z08F122BDR NU.DGN  
 PROJECT LEADER: MS  
 DESIGNED BY: CM  
 LAYOUT SHEET 19

PLOT DATE: 06/09/2010  
 DRAWN BY: CM  
 CHECKED BY: MS  
 SHEET 76 OF 133