

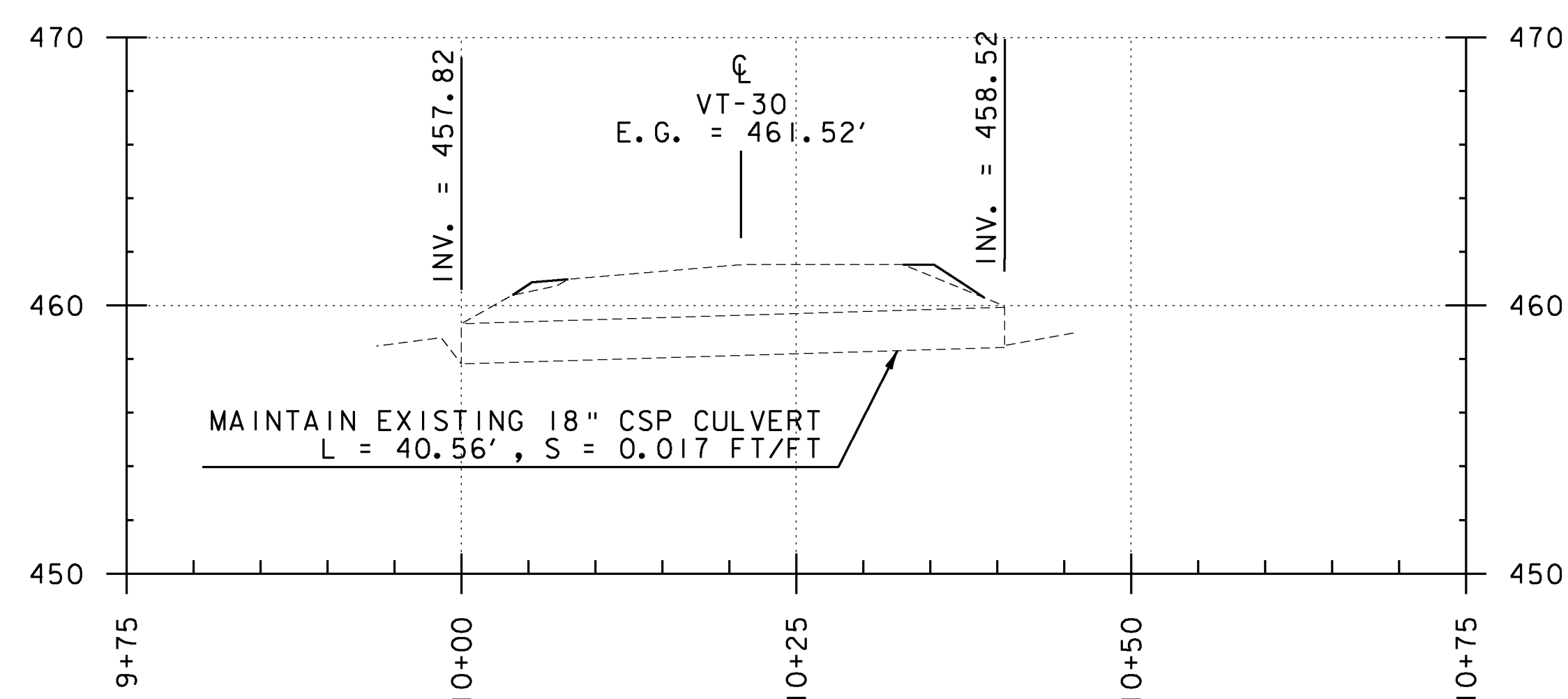
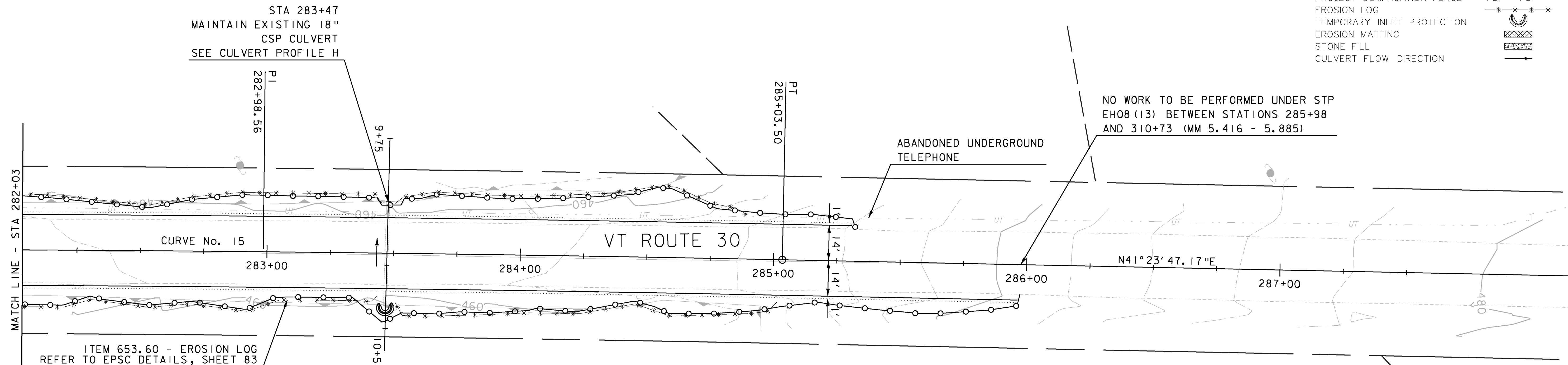
LIMITS OF WORK
 STA 282+03 - 285+32 LT
 STA 282+03 - 285+98 RT

ITEM 653.40 - INLET PROTECTION DEVICE, TYPE I
 STA 283+46 20.3 RT

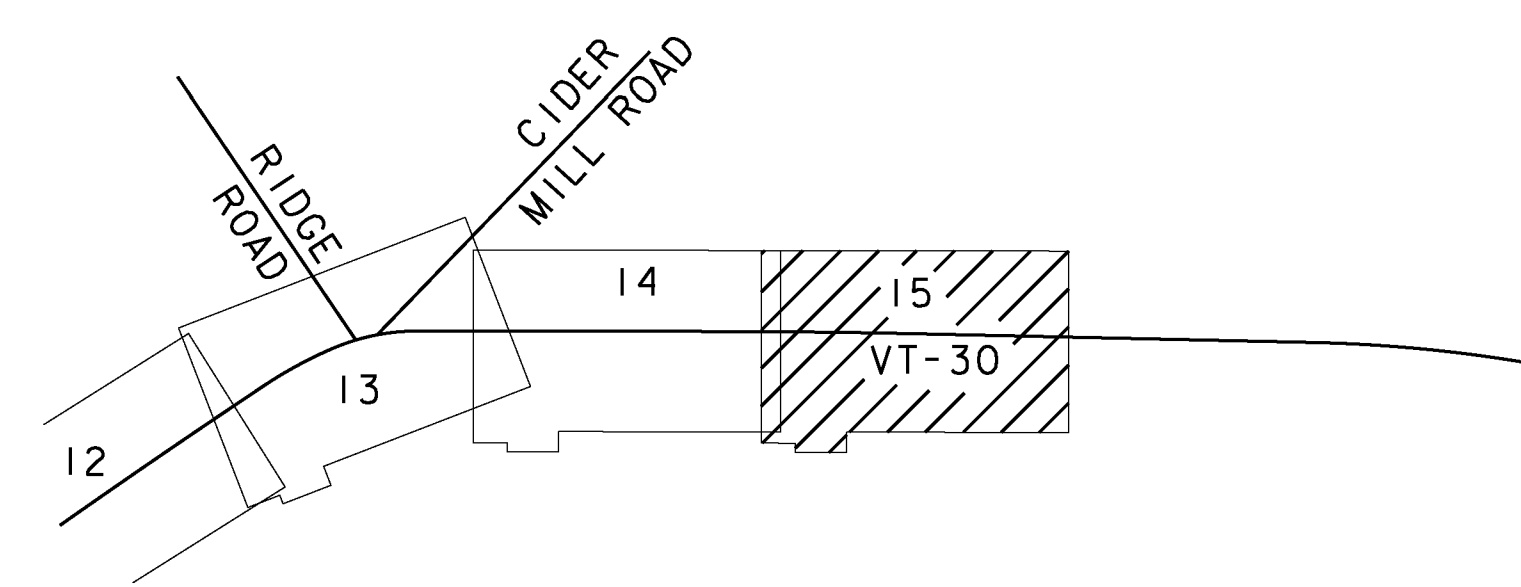
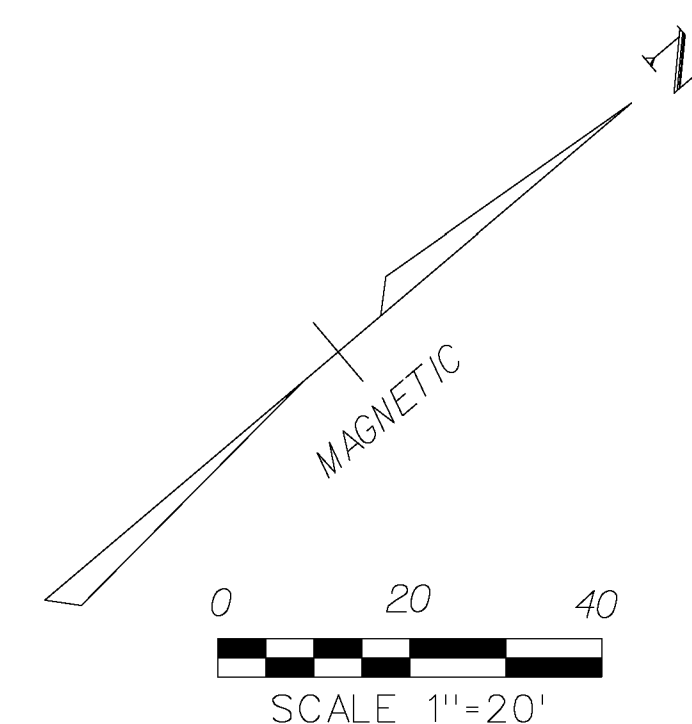
ITEM 653.60 - EROSION LOG
 STA 282+03 - 284+89 LT
 STA 282+03 - 285+02 RT

LEGEND

- EXISTING EDGE OF PAVEMENT -----
- EXISTING CULVERT - - - - -
- EXISTING STONE WALL - - - - -
- EXISTING FENCE x-x-x-x-x
- EXISTING TREE LINE (tree symbols)
- EXISTING TREES (tree symbols)
- WETLAND BOUNDARY (wavy line)
- TOE OF SLOPE (line with dots)
- TOE OF CUT (line with triangles)
- EXISTING RIGHT OF WAY (dashed line)
- EXISTING SIDELINES (dashed line)
- PROJECT DEMARCATION FENCE PDF-PDF-PDF
- EROSION LOG (line with asterisks)
- TEMPORARY INLET PROTECTION (line with circles)
- EROSION MATTING (cross-hatched area)
- STONE FILL (stippled area)
- CULVERT FLOW DIRECTION (arrow)



STA 283+47
 CULVERT PROFILE H
 SCALE:
 1" = 10' H
 1" = 5' V

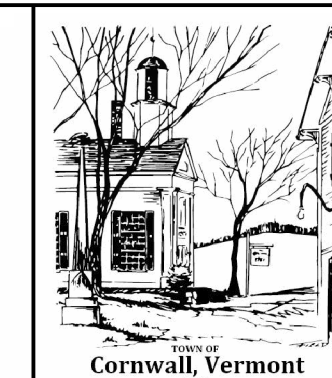


LAYOUT SHEET LOCATOR

CURVE No. 15 DATA
 $\Delta = 1^{\circ}10'27''$ RT
 R = 20000 FT
 T = 204.96 FT
 L = 409.90 FT
 E = 1.05 FT
 D = $0^{\circ}17'11''$

DATUM
 VERTICAL NAVD 88
 HORIZONTAL NAD 83

NO.	DATE	REVISIONS	BY	CK'D



PROJECT NAME: CORNWALL - MIDDLEBURY
 PROJECT NUMBER: STP EH08(13)
 FILE NAME: Z08F122BDR NU.DGN
 PROJECT LEADER: MS
 DESIGNED BY: CM
 LAYOUT SHEET 15
 PLOT DATE: 06/09/2010
 DRAWN BY: CM
 CHECKED BY: MS
 SHEET 72 OF 133