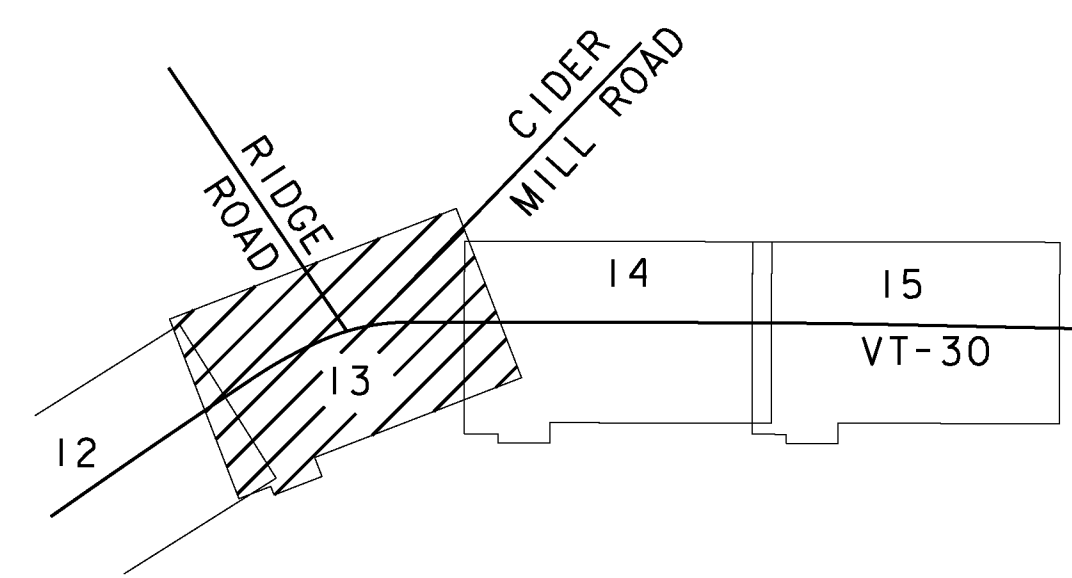
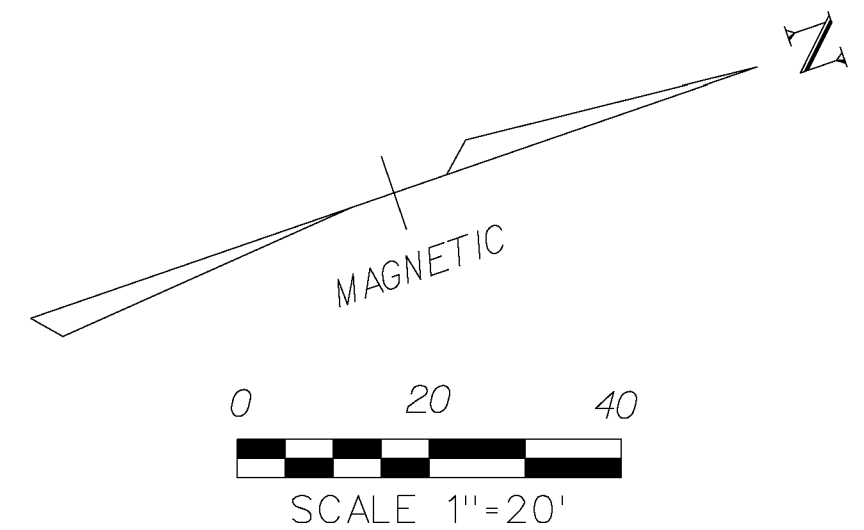
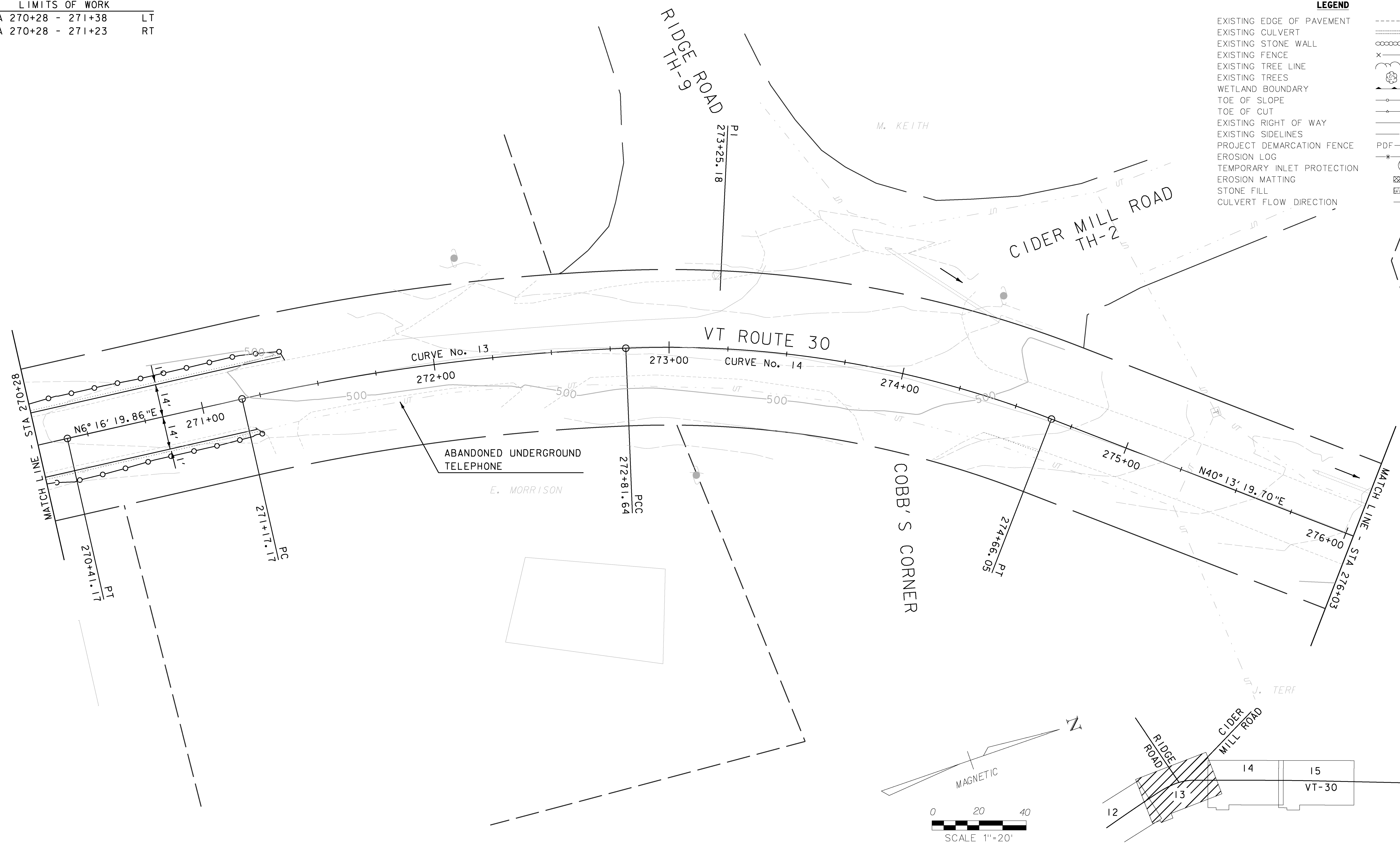


LIMITS OF WORK		
STA 270+28 - 271+38	LT	
STA 270+28 - 271+23	RT	

LEGEND

EXISTING EDGE OF PAVEMENT	-----
EXISTING CULVERT	-----
EXISTING STONE WALL	-----
EXISTING FENCE	x-x-x-x
EXISTING TREE LINE	-----
EXISTING TREES	-----
WETLAND BOUNDARY	-----
TOE OF SLOPE	-----
TOE OF CUT	-----
EXISTING RIGHT OF WAY	-----
EXISTING SIDELINES	-----
PROJECT DEMARCATION FENCE	PDF---PDF
EROSION LOG	-----
TEMPORARY INLET PROTECTION	-----
EROSION MATTING	-----
STONE FILL	-----
CULVERT FLOW DIRECTION	-----

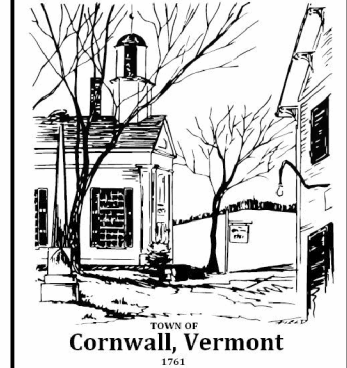


LAYOUT SHEET LOCATOR

CURVE No. 13 DATA	CURVE No. 14 DATA
Δ = 10°28'14" RT	Δ = 23°28'46" RT
R = 900.00 FT	R = 450.00 FT
T = 82.46 FT	T = 93.52 FT
L = 164.47 FT	L = 184.41 FT
E = 3.77 FT	E = 9.61 FT
D = 6°21'58"	D = 12°43'57"

NO.	DATE	REVISIONS	BY	CK'D

DATUM	
VERTICAL	NAVD 88
HORIZONTAL	NAD 83



PROJECT NAME: CORNWALL - MIDDLEBURY	PLOT DATE: 06/09/2010
PROJECT NUMBER: STP EH08(13)	DRAWN BY: CM
FILE NAME: Z08F122BDR NU.DGN	CHECKED BY: MS
PROJECT LEADER: MS	LAYOUT SHEET 13
DESIGNED BY: CM	SHEET 70 OF 133