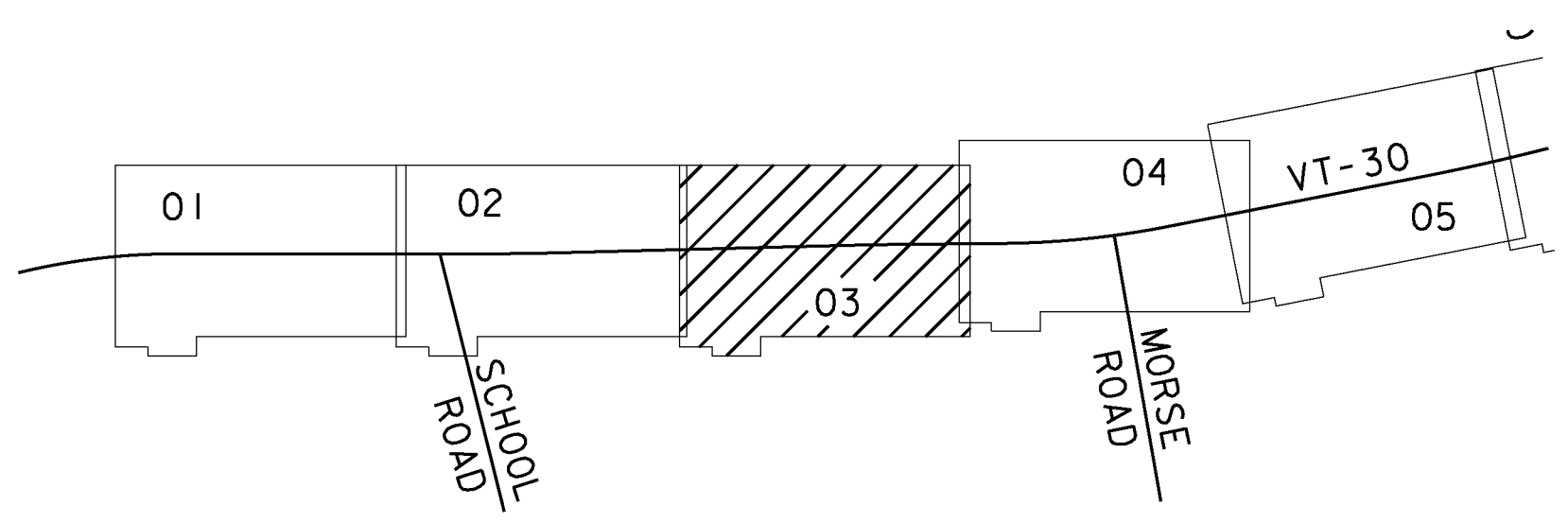
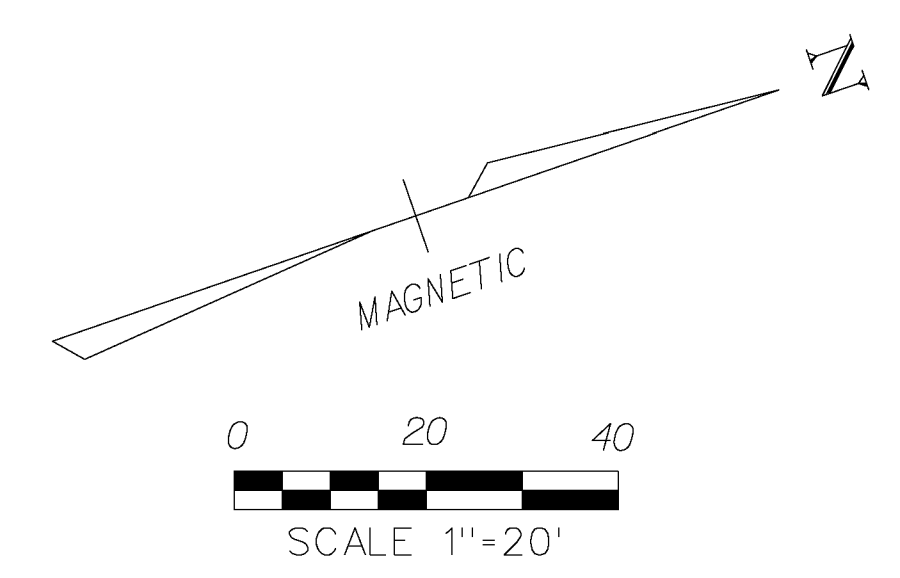
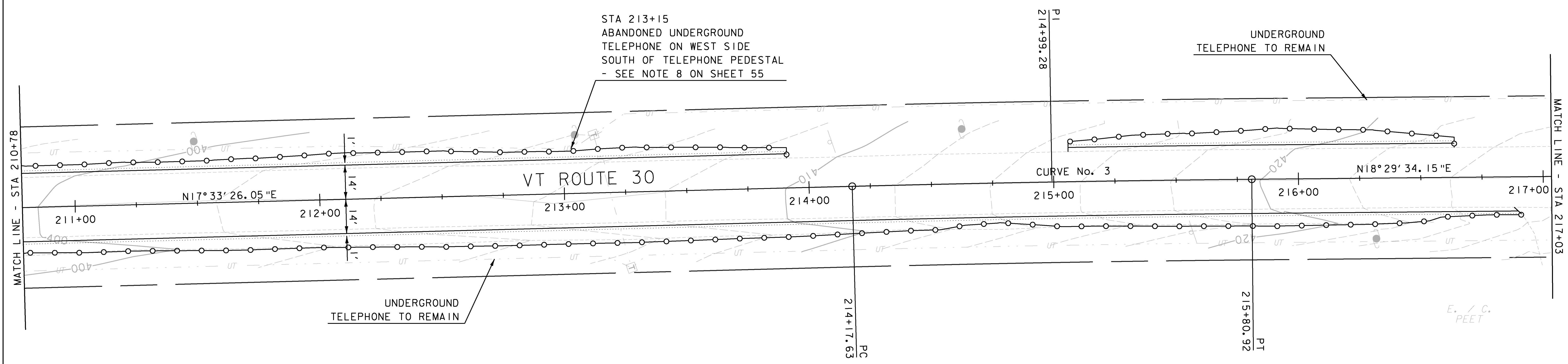


LIMITS OF WORK		
STA 210+78 - 213+91	LT	
STA 210+78 - 216+91	RT	
STA 215+06 - 216+64	LT	

LEGEND	
EXISTING EDGE OF PAVEMENT	-----
EXISTING CULVERT	-----
EXISTING STONE WALL	-----
EXISTING FENCE	-----
EXISTING TREE LINE	-----
EXISTING TREES	-----
WETLAND BOUNDARY	-----
TOE OF SLOPE	-----
TOE OF CUT	-----
EXISTING RIGHT OF WAY	-----
EXISTING SIDELINES	-----
PROJECT DEMARCATION FENCE	PDF---PDF
EROSION LOG	-----
TEMPORARY INLET PROTECTION	-----
EROSION MATTING	-----
STONE FILL	-----
CULVERT FLOW DIRECTION	-----

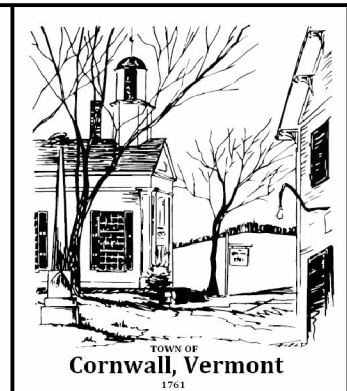


LAYOUT SHEET LOCATOR

CURVE No. 3 DATA
 $\Delta = 0^\circ 56' 08''$ RT
 $R = 10000.00$ FT
 $T = 81.65$ FT
 $L = 163.29$ FT
 $E = 0.33$ FT
 $D = 0^\circ 34' 23''$

NO.	DATE	REVISIONS	BY	CK'D

DATUM
 VERTICAL NAVD 88
 HORIZONTAL NAD 83



PROJECT NAME: CORNWALL - MIDDLEBURY
 PROJECT NUMBER: STP EH08(13)
 FILE NAME: Z08F122BDR NU.DGN
 PROJECT LEADER: MS
 DESIGNED BY: CM
 LAYOUT SHEET 3

PLOT DATE: 06/09/2010
 DRAWN BY: CM
 CHECKED BY: MS
 SHEET 60 OF 133