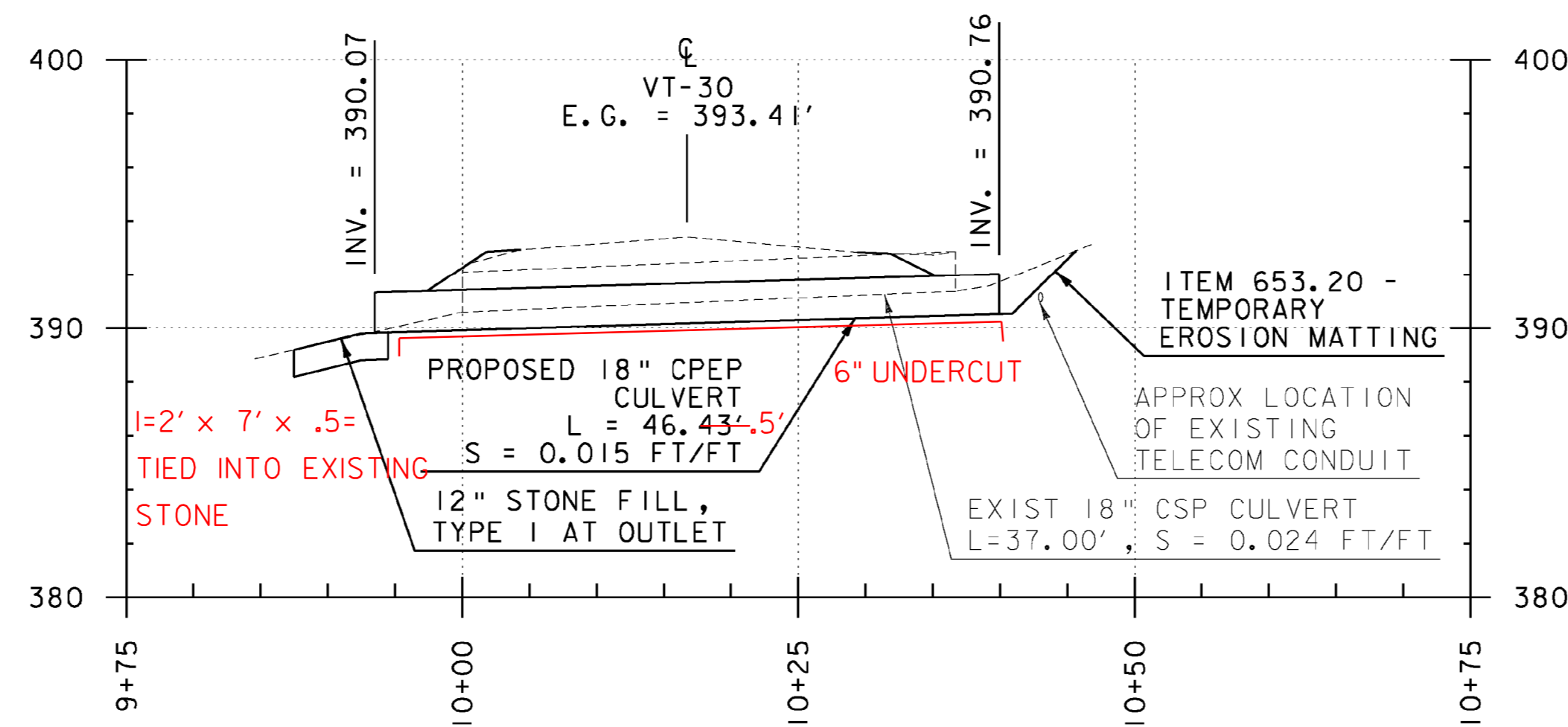
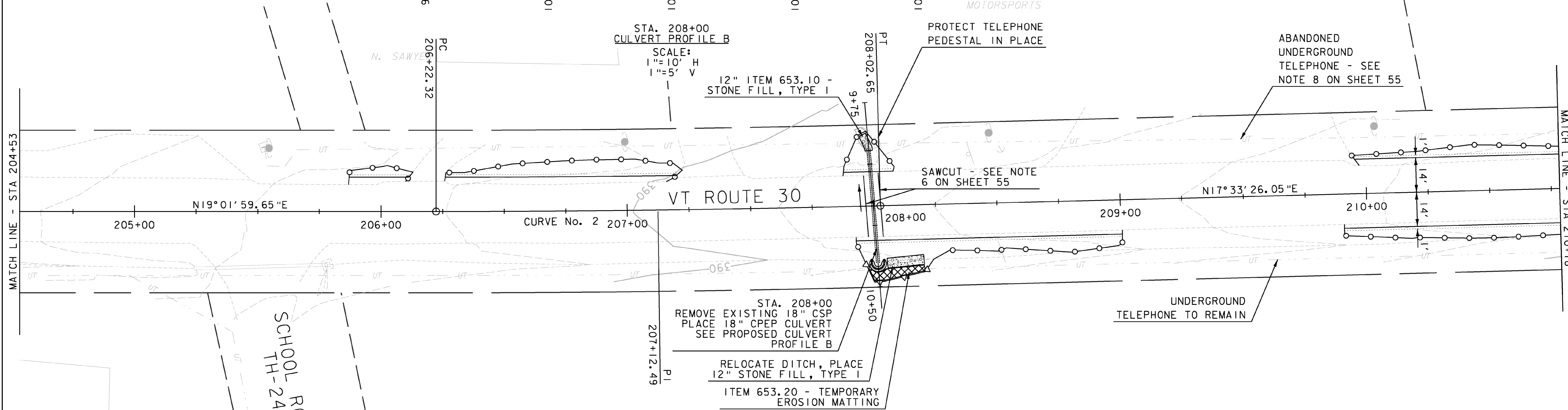


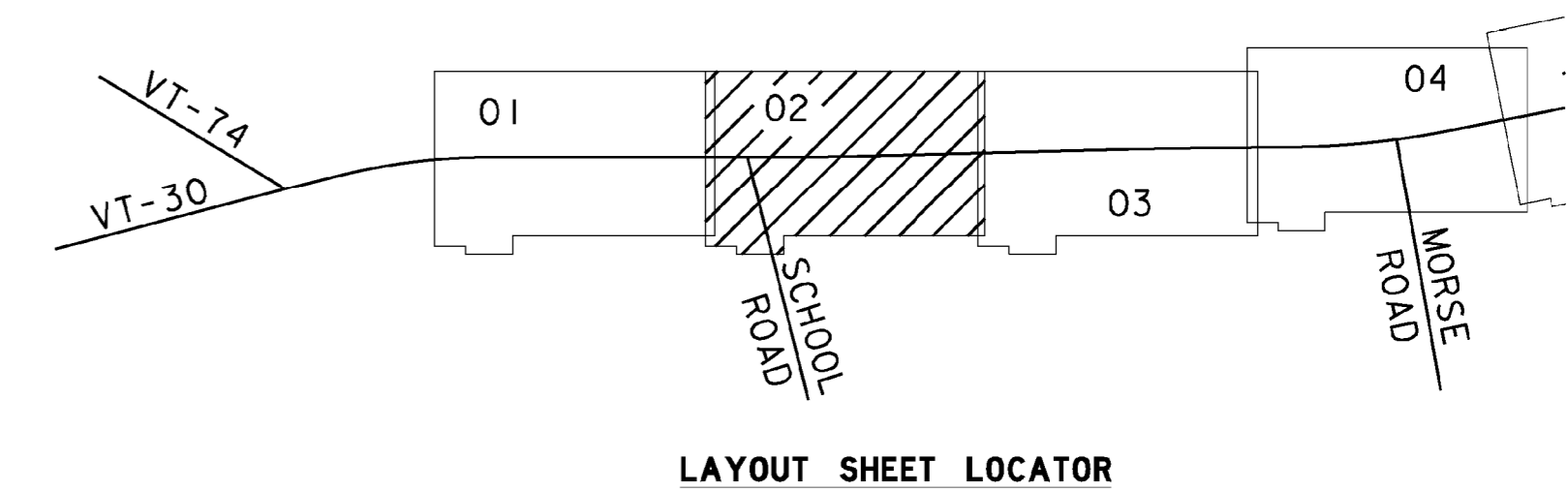
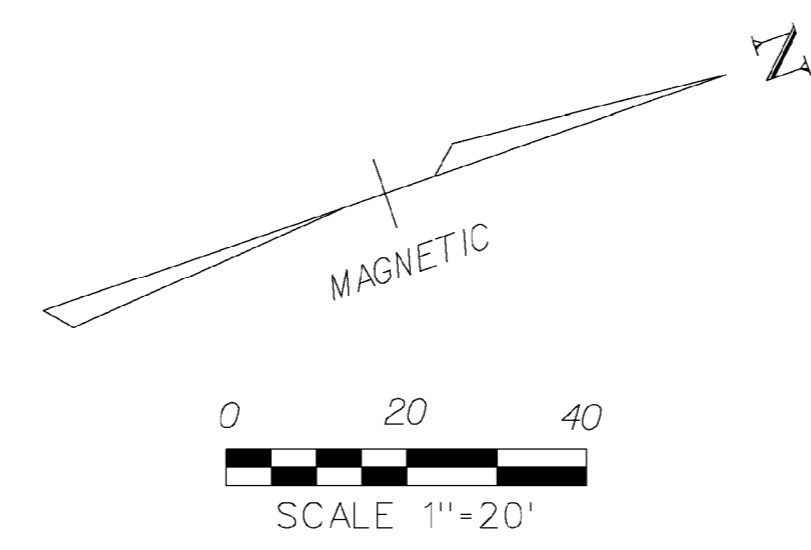
LIMITS OF WORK		
STA 205+87 - 206+13	LT	
STA 206+26 - 207+23	LT	
STA 207+88 - 208+09	LT	
STA 207+93 - 209+01	RT	
STA 209+91 - 210+78	RT	
STA 209+94 - 210+78	LT	



LEGEND	
EXISTING EDGE OF PAVEMENT	---
EXISTING CULVERT	----
EXISTING STONE WALL	o-o-o-o-o
EXISTING FENCE	x-x-x
EXISTING TREE LINE	~ ~ ~
EXISTING TREES	⊗
WETLAND BOUNDARY	~ ~ ~
TOE OF SLOPE	—○—
TOE OF CUT	—○—
EXISTING RIGHT OF WAY	---
EXISTING SIDELINES	---
PROJECT DEMARCATION FENCE	PDF—PDF—
EROSION LOG	—○—
TEMPORARY INLET PROTECTION	⊗
EROSION MATTING	⊗
STONE FILL	⊗
CULVERT FLOW DIRECTION	→



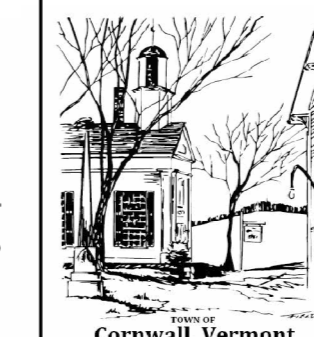
- ITEM 601.0915 - 18" CPEP
STA. 208+00
- ITEM 613.10 - STONE FILL, TYPE I
STA 207+97 25.9 LT
STA 208+05 - 208+20 22.2 RT
- ITEM 653.20 - TEMPORARY EROSION MATTING
STA 207+98 - 208+20 28.6 RT
- ITEM 653.40 - INLET PROTECTION DEVICE, TYPE I
STA 208+01 24.6 RT



CURVE No. 2 DATA
 $\Delta = 1^{\circ}28'34''$ LT
 $R = 7000.00$ FT
 $T = 90.17$ FT
 $L = 180.33$ FT
 $E = 0.58$ FT
 $D = 0^{\circ}49'07''$

DATUM
 VERTICAL NAVD 88
 HORIZONTAL NAD 83

NO.	DATE	REVISIONS	BY	CK'D



PROJECT NAME: CORNWALL - MIDDLEBURY
 PROJECT NUMBER: STP EH08(13)

FILE NAME: Z08F122BDR NU.DGN
 PROJECT LEADER: MS
 DESIGNED BY: CM
 LAYOUT SHEET 2

PLOT DATE: 06/09/2010
 DRAWN BY: CM
 CHECKED BY: MS
 SHEET 59 OF 133