

ITEM 601.0915 - 18" CPEP CULVERT
 STA. 199+47

ITEM 613.10 - STONE FILL, TYPE I
 STA 199+38 23.8 RT
 STA 201+56 - 201+68 16.8 RT
 STA 201+83 - 202+43 16.8 RT
 STA 203+50 - 203+76 17.2 RT

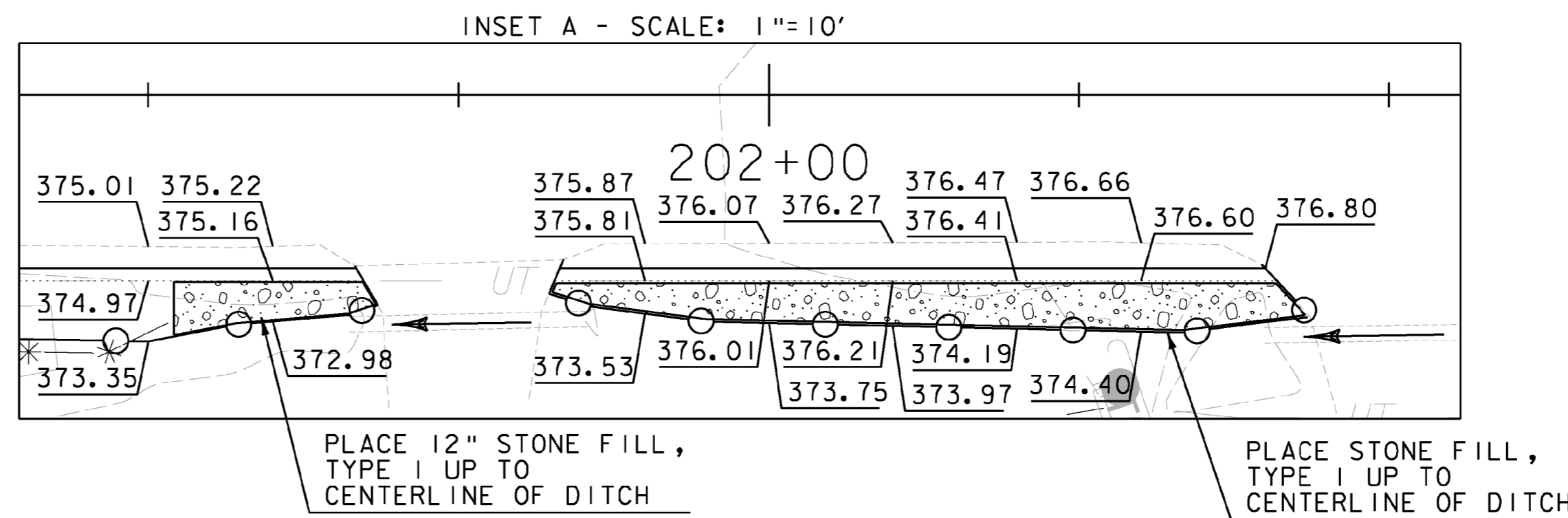
ITEM 653.20 - TEMPORARY EROSION MATTING
 STA 203+76 - 203+90 17.2 RT

ITEM 653.40 - INLET PROTECTION DEVICE, TYPE I
 STA 199+54 23.3 LT

ITEM 653.60 - EROSION LOG
 STA 198+97 - 201+52 RT

LIMITS OF WORK
 STA 198+78 - 200+61 LT
 STA 198+82 - 201+67 RT
 STA 201+82 - 202+44 RT
 STA 203+52 - 203+95 RT

CURVE No. 1 DATA
 $\Delta = 14^{\circ}04'50''$ RT
 R = 1450.00 FT
 T = 179.07 FT
 L = 356.34 FT
 E = 11.02 FT
 D = 3^{\circ}57'05''



LEGEND

EXISTING EDGE OF PAVEMENT	---
EXISTING CULVERT	-----
EXISTING STONE WALL	o-o-o-o-o-o-o-o
EXISTING FENCE	x-x-x-x-x-x-x-x
EXISTING TREE LINE	o-o-o-o-o-o-o-o
EXISTING TREES	o-o-o-o-o-o-o-o
WETLAND BOUNDARY	o-o-o-o-o-o-o-o
TOE OF SLOPE	o-o-o-o-o-o-o-o
TOE OF CUT	o-o-o-o-o-o-o-o
EXISTING RIGHT OF WAY	---
EXISTING SIDELINES	---
PROJECT DEMARCATION FENCE	PDF-PDF-PDF
EROSION LOG	o-o-o-o-o-o-o-o
TEMPORARY INLET PROTECTION	o-o-o-o-o-o-o-o
EROSION MATTING	o-o-o-o-o-o-o-o
STONE FILL	o-o-o-o-o-o-o-o
CULVERT FLOW DIRECTION	→

TEMPORARY PIPE INLET PROTECTION (TYP)
 SEE EPSC DETAILS - SHEET 83

STA 199+47
 REMOVE EXISTING 15" CSP
 PLACE NEW 18" CPEP CULVERT
 SEE CULVERT PROFILE A

BEGIN STP EH08 (13)
 CORNWALL
 VT ROUTE 30
 MM 3.764 = STA 198+73.92

CORNWALL
 CONGREGATIONAL
 CHURCH

JCT

SAWCUT SEE
 GENERAL NOTE 1

199+00

200+00 HINGE (TYP)

VT ROUTE 30

201+00

202+00

203+00

INSET B - SEE BELOW

204+00

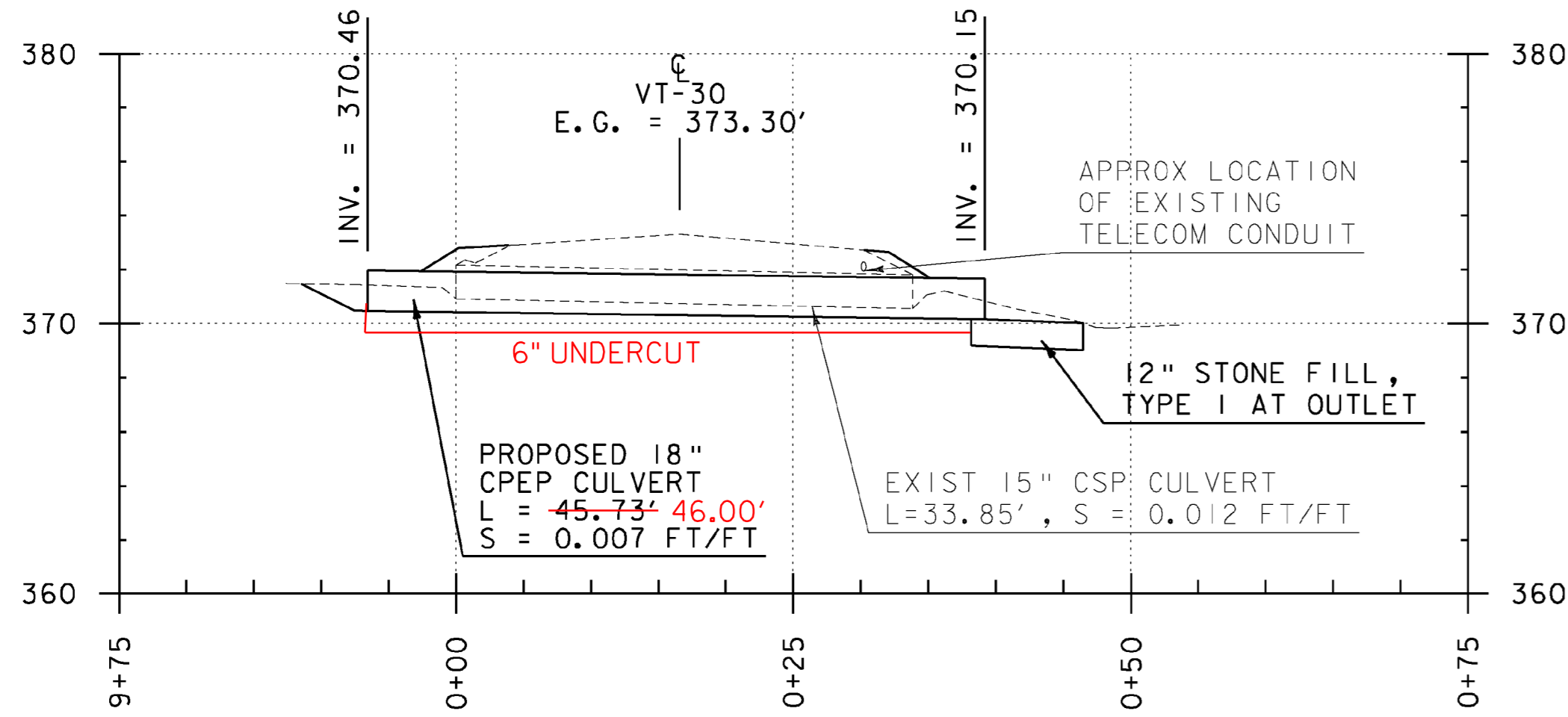
12" ITEM 653.10
 STONE FILL, TYPE I

ITEM 653.60 -
 EROSION LOG
 REFER TO EPSC
 DETAILS, SHEET 83

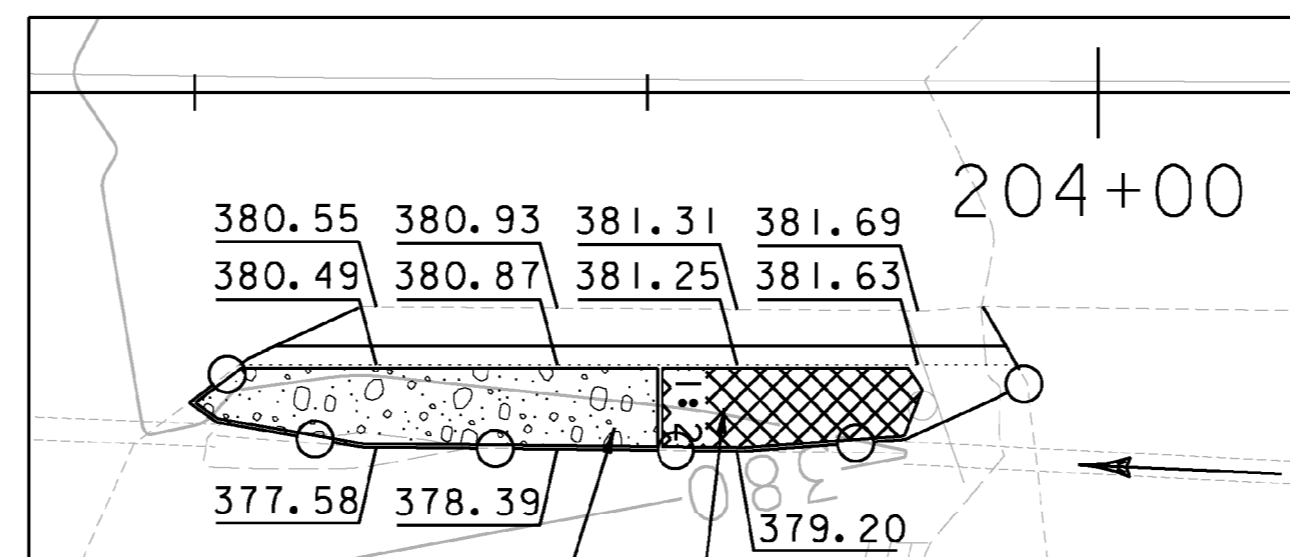
RELOCATED
 UNDERGROUND
 TELEPHONE

INCREASE SLOPE TO 1:1.5 MAX AS
 NEEDED TO MAINTAIN EXISTING ADJACENT
 CULVERTS AND DITCHES - SEE INSETS

UNDERGROUND
 TELEPHONE
 TO REMAIN

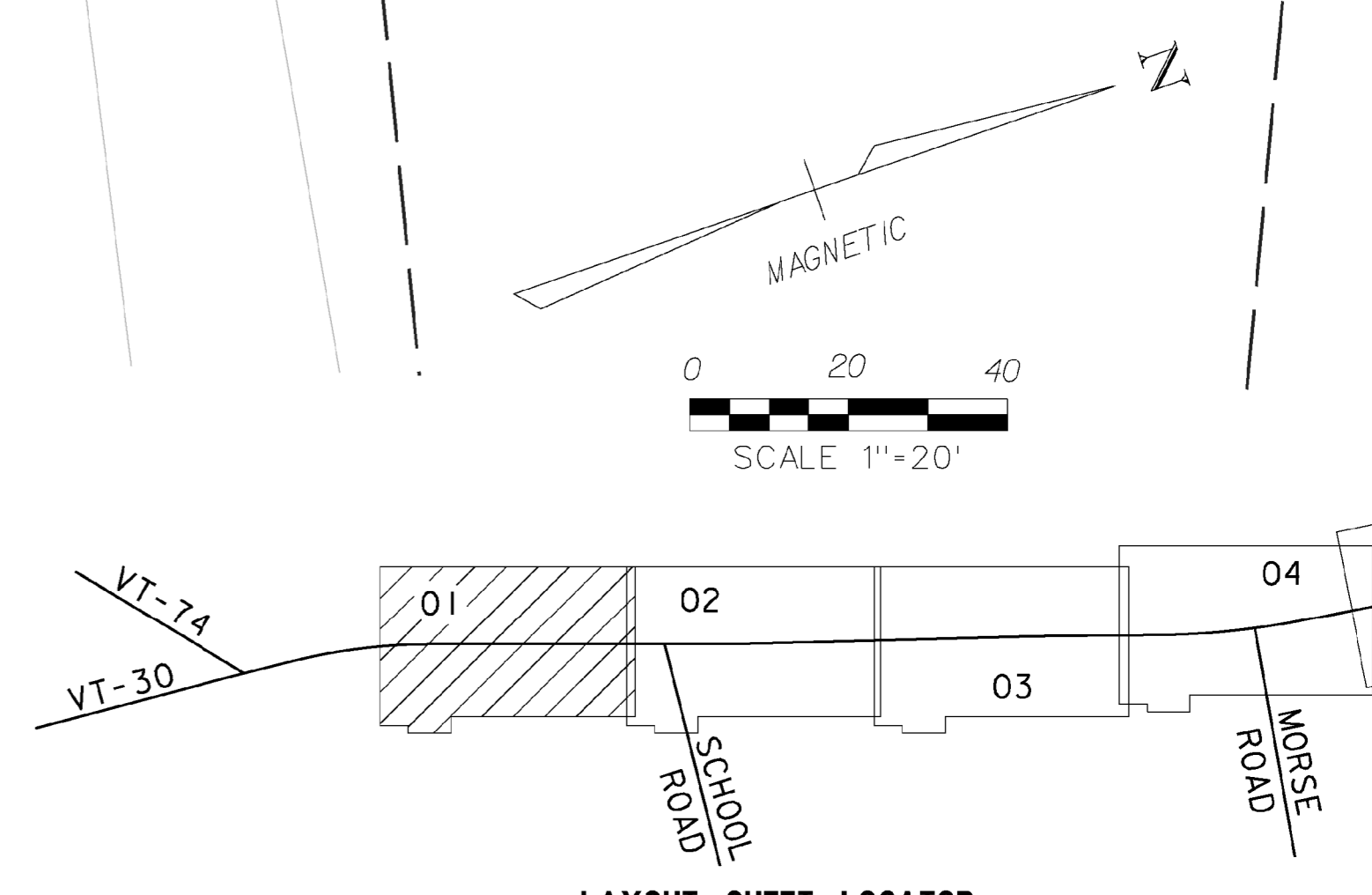


INSET B - SCALE: 1"=10'



PLACE 12" STONE FILL,
 TYPE I ON SLOPES
 GREATER THAN 1:2 UP TO
 CENTERLINE OF DITCH

PLACE ITEM 653.20 - TEMPORARY EROSION
 MATTING ON SLOPES BETWEEN 1:2 AND 1:3

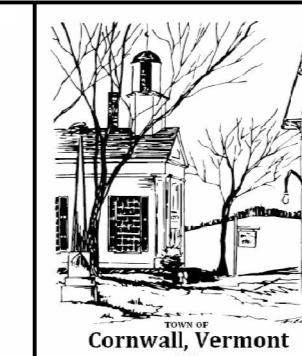


STA. 199+47
 CULVERT PROFILE A

SCALE:
 1"=10' H
 1"=5' V

DATUM
 VERTICAL NAVD 88
 HORIZONTAL NAD 83

NO.	DATE	REVISIONS	BY	CK'D



PROJECT NAME: CORNWALL - MIDDLEBURY
 PROJECT NUMBER: STP EH08(13)

FILE NAME: Z08F122BDR NU.DGN
 PROJECT LEADER: MS
 DESIGNED BY: CM
 LAYOUT SHEET 1

PLOT DATE: 06/09/2010
 DRAWN BY: CM
 CHECKED BY: MS
 SHEET 58 OF 133