

BRIDGE TRANSITION AREA DETAIL
BR 15 VT. ROUTE 125 RIPTON STA 76+45.00 TO STA 76+71.00

SEEDING FORMULA

RATE: DOUBLE IF HYDROSEEDING

% WT.	LBS./A.	NAME	PUR %	GERM %
38	32	CREEPING RED FESCUE	98	90
29	24	SPARTAN HARD FESCUE	95	85
15	12	AZAY SHEEP'S FESCUE	95	87
15	12	ANNUAL RYE GRASS	95	90
3	--	INERTS	--	--
100.0	80 LB/A			

GENERAL NOTES

SEED MIXTURE:
SHALL NOT HAVE A WEED CONTENT EXCEEDING 0.40% BY WEIGHT AND SHALL BE FREE OF ALL NOXIOUS WEED SEED.

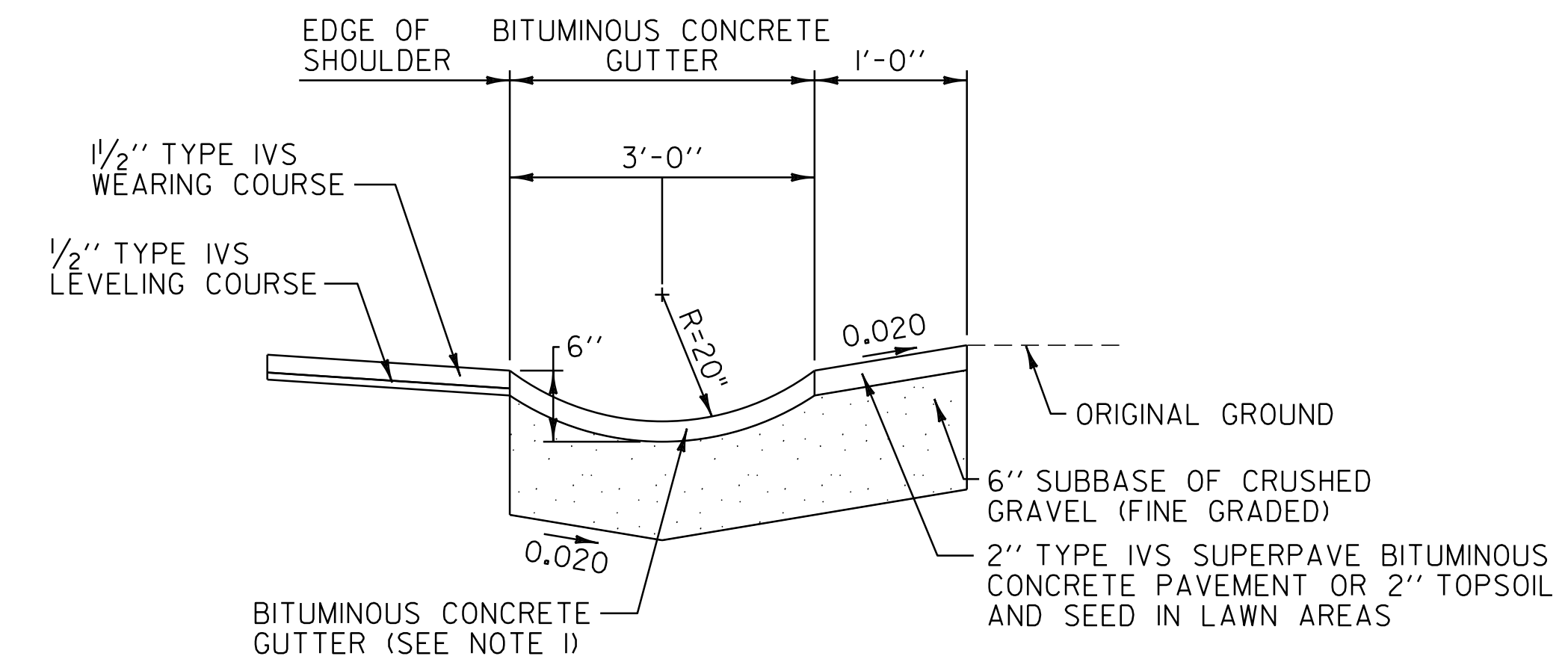
SEED:
TO BE APPLIED PER SEEDING FORMULA OR AS DIRECTED BY THE RESIDENT ENGINEER.

FERTILIZER:
FORMULA 10-20-10 TO BE USED WITH SEED APPLIED AT THE RATE OF 500 LBS/ACRE (HYDRO SEEDERS MAY USE 19-19-19 FORMULA).

AGRICULTURAL LIMESTONE:
TO BE APPLIED AT THE RATE OF 2 TONS/ACRE OR AS DIRECTED BY THE RESIDENT ENGINEER.

TOPSOIL:
TO BE USED WITH SEED AS INDICATED ON THE PLANS OR AS DIRECTED BY THE RESIDENT ENGINEER.

EXISTING WIDTH					
RIPTON			HANCOCK		
STATION	WIDTH	STATION	WIDTH	STATION	WIDTH
8+35.00	27'-4"	150+00.00	26'-0"	0+00.00	29'-5"
12+05.00	23'-6"	161+00.00	28'-4"	2+10.00	35'-11"
24+10.00	27'-5"	173+65.00	27'-1"	4+10.00	43'-4"
35+75.00	26'-0"	185+65.00	26'-2"	5+75.00	32'-9"
48+00.00	27'-2"	196+65.00	27'-7"	12+40.00	29'-5"
59+50.00	34'-7"	208+65.00	27'-0"	17+70.00	33'-3"
61+50.00	25'-7"	217+40.00	26'-3"	22+25.00	31'-1"
72+25.00	24'-6"	224+80.00	25'-9"	27+60.00	33'-2"
76+45.00	19'-10"	230+65.00	26'-8"	29+90.00	31'-5"
80+30.00	24'-2"	240+95.00	26'-8"	31+75.00	32'-0"
90+00.00	24'-0"	248+65.00	27'-1"	39+60.00	32'-4"
102+75.00	27'-2"	260+65.00	26'-5"		
111+20.00	27'-5"	270+65.00	26'-10"		
119+15.00	25'-6"	282+65.00	26'-9"		
130+00.00	26'-10"	288+65.00	26'-10"		
140+00.00	26'-6"	298+65.00	26'-7"		



BITUMINOUS CONCRETE GUTTER DETAIL

RIPTON: STA 56+30.0 - STA 58.06.0 LT (6.9 TON)
STA 60+32.0 - STA 63+45.0 LT (12.2 TON)

HANCOCK: STA 11+05.0 - STA 20+00.0 RT (34.9 TON)

NOTE:

1. BITUMINOUS CONCRETE GUTTER TO BE CONSTRUCTED BY PLACING 1-2" TYPE IVS SUPERPAVE BITUMINOUS CONCRETE PAVEMENT LIFT AS DIRECTED BY THE RESIDENT ENGINEER. PAYMENT UNDER ITEM 616.47 BITUMINOUS CONCRETE GUTTERS AND TRAFFIC ISLANDS.

PROJECT PAVING LIMITS

TOWN & ROUTE	BEGIN STATION	END STATION	LANE TYPICAL	WEARING DEPTH	LEVELING TON	NOTES
RIPTON:						
VT. ROUTE 125	0+00.00	52+80.00	3'-0" - 11'-0" - 11'-0" - 3'-0"	1/2"	-	RECLAIM 8", PAVE WITH 2 3/4" TYPE IIS & PAVE WITH 1/2" TYPE IVS
VT. ROUTE 125	52+80.00	62+50.00	3'-0" - 11'-0" - 11'-0" - 3'-0"	1/2"	85	LEVEL 1/2" TYPE IVS & PAVE 1/4" TYPE IVS
VT. ROUTE 125	62+50.00	76+45.00	2'-0" - 11'-0" - 11'-0" - 2'-0"	1/2"	117	LEVEL 1/2" TYPE IVS & PAVE 1/4" TYPE IVS
VT. ROUTE 125	76+45.00	76+75.00	10'-0" - 10'-0"	1/2"	-	BR 15 COLD PLANE 1/4", PAVE WITH 1/4" TYPE IVS
VT. ROUTE 125	76+75.00	84+48.00	2'-0" - 11'-0" - 11'-0" - 2'-0"	1/2"	64	LEVEL 1/2" TYPE IVS & PAVE 1/4" TYPE IVS
VT. ROUTE 125	84+48.00	102+75.00	2'-0" - 11'-0" - 11'-0" - 2'-0"	1/2"	-	RECLAIM 8", PAVE WITH 2 3/4" TYPE IIS & PAVE WITH 1/2" TYPE IVS
VT. ROUTE 125	102+75.00	222+15.00	3'-0" - 11'-0" - 11'-0" - 3'-0"	1/2"	-	RECLAIM 8", PAVE WITH 2 3/4" TYPE IIS & PAVE WITH 1/2" TYPE IVS
VT. ROUTE 125	222+15.00	229+65.00	4'-0" - 11'-0" - 11'-0" - 3'-0"	1/2"	-	RECLAIM 8", PAVE WITH 2 3/4" TYPE IIS & PAVE WITH 1/2" TYPE IVS
VT. ROUTE 125	229+65.00	305+50.08	3'-0" - 11'-0" - 11'-0" - 3'-0"	1/2"	-	RECLAIM 8", PAVE WITH 2 3/4" TYPE IIS & PAVE WITH 1/2" TYPE IVS
HANCOCK:						
VT. ROUTE 125	0+00.00	2+50.00	3'-0" - 11'-0" - 11'-0" - 3'-0"	1/2"	-	RECLAIM 8", PAVE WITH 2 3/4" TYPE IIS & PAVE WITH 1/2" TYPE IVS
VT. ROUTE 125	2+50.00	4+10.00	4'-0" - 12'-0" - 12'-0" - 10'-0"	1/2"	-	RECLAIM 8", PAVE WITH 2 3/4" TYPE IIS & PAVE WITH 1/2" TYPE IVS
VT. ROUTE 125	4+10.00	39+60.00	4'-0" - 12'-0" - 12'-0" - 4'-0"	1/2"	-	RECLAIM 8", PAVE WITH 2 3/4" TYPE IIS & PAVE WITH 1/2" TYPE IVS

NOT TO SCALE

PAVING DETAILS SHEET #2	PROJECT NAME: RIPTON - HANCOCK
	PROJECT NUMBER: STP 2803(1)
	FILE NAME: p08cl60.dgn
	PLOT DATE: 19-SEP-2013 11:15
	PROJECT LEADER: D.E.G.
	DRAWN BY: C.A.K.
	DESIGNED BY: M.J.M.
	CHECKED BY: D.W.E.
	IPARM FILE: p08cl60pvd2.i
	SHEET 53 OF 114