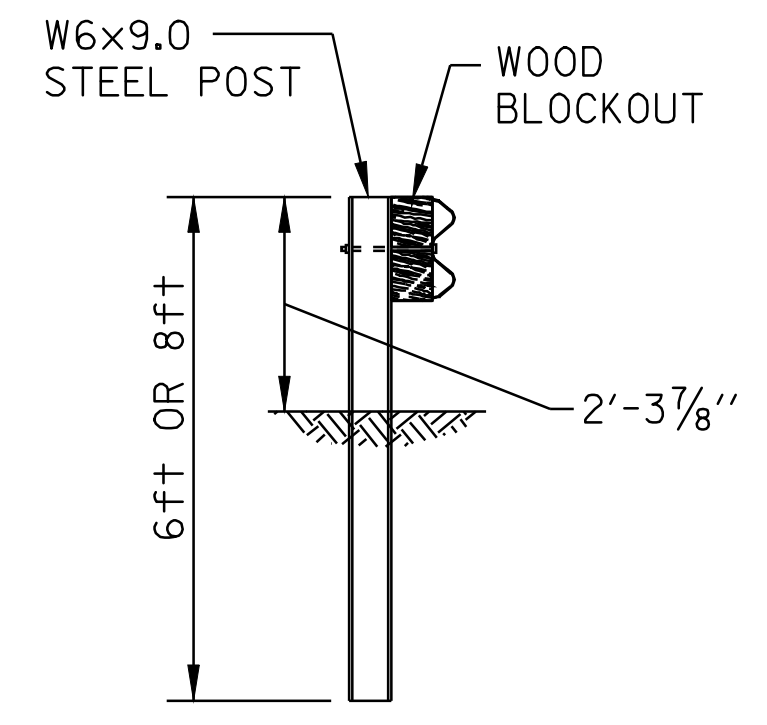
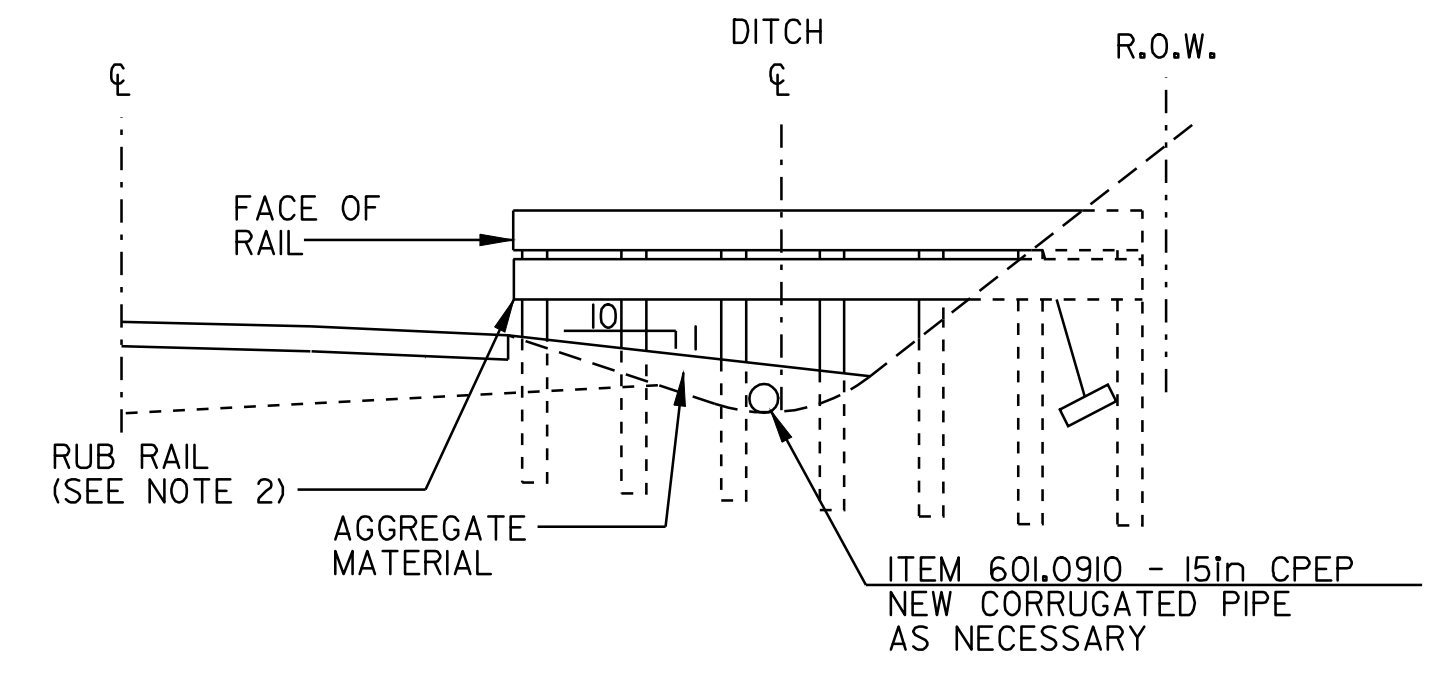


NON-YIELDING OBJECT APPROACH DETAIL

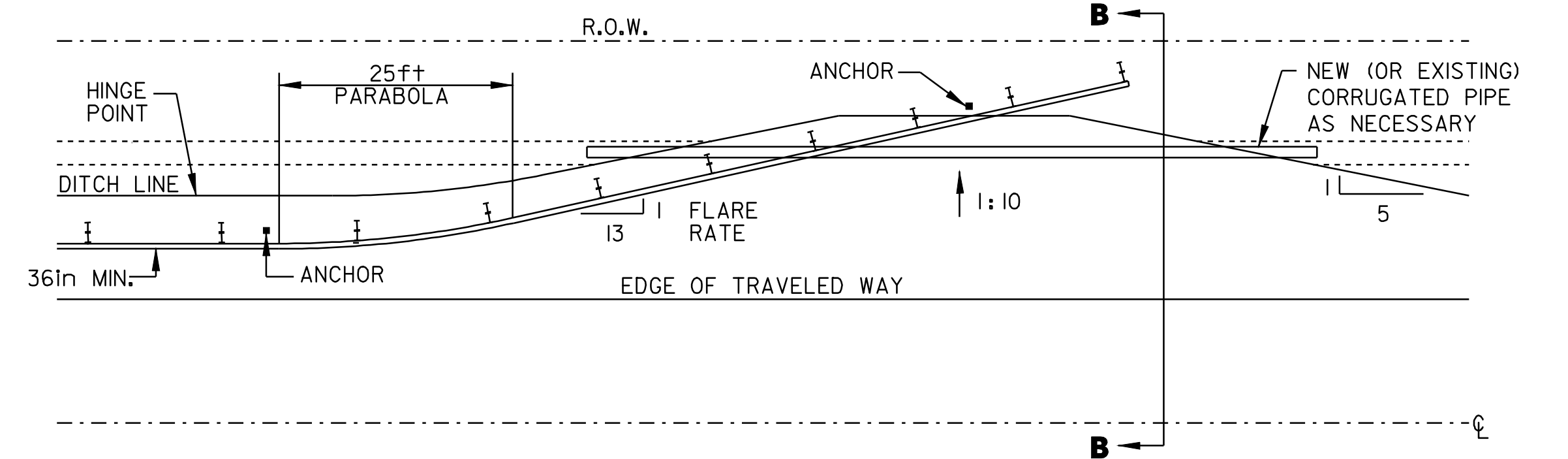
MONTGOMERY
 STA 16+20 LT
 STA 35+25 LT
 STA 211+05 RT



SECTION A-A



SECTION B-B



DETAIL FOR BURIED GUARDRAIL ENDS INTO BACKSLOPES

NOT TO SCALE

MONTGOMERY
 STA 20+14 LT STA 83+84 LT
 STA 71+77 RT STA 149+55 RT
 STA 72+03 LT STA 182+27 RT
 STA 79+40 LT STA 214+22 RT
 STA 81+80 RT STA 217+88 LT

NOTES:

1. PRIMARY RAIL SHALL REMAIN AT A CONSTANT HEIGHT (LEVEL) RELATIVE TO THE HEIGHT OF RAIL AT THE EDGE OF SHOULDER.
2. ADDITION OF RUB RAIL IS REQUIRED WHEN OPENING BENEATH PRIMARY RAIL EXCEEDS 181n. RUB RAIL EXTENDS FROM THE EDGE OF SHOULDER TO THE BACK SLOPE.

DATUM	
VERTICAL	N/A
HORIZONTAL	N/A

NON-YIELDING OBJECT APPROACH and BURIED END TERMINAL DETAIL SHEET

DESIGNED BY	BCE/PJM	DATE	6-07
DRAWN BY	C.E.A., INC.	DATE	6-07
DESIGN FILE NO.	p06cl62.dgn		
PRF FILE	p06cl62det.1	DATE PLOTTED	03-NOV-2009 10
PROJ. NAME	BELVIDERE - MONTGOMERY		
PROJ. NO.	STP 2619(1)S		
SHEET	32	OF	33 SHEETS