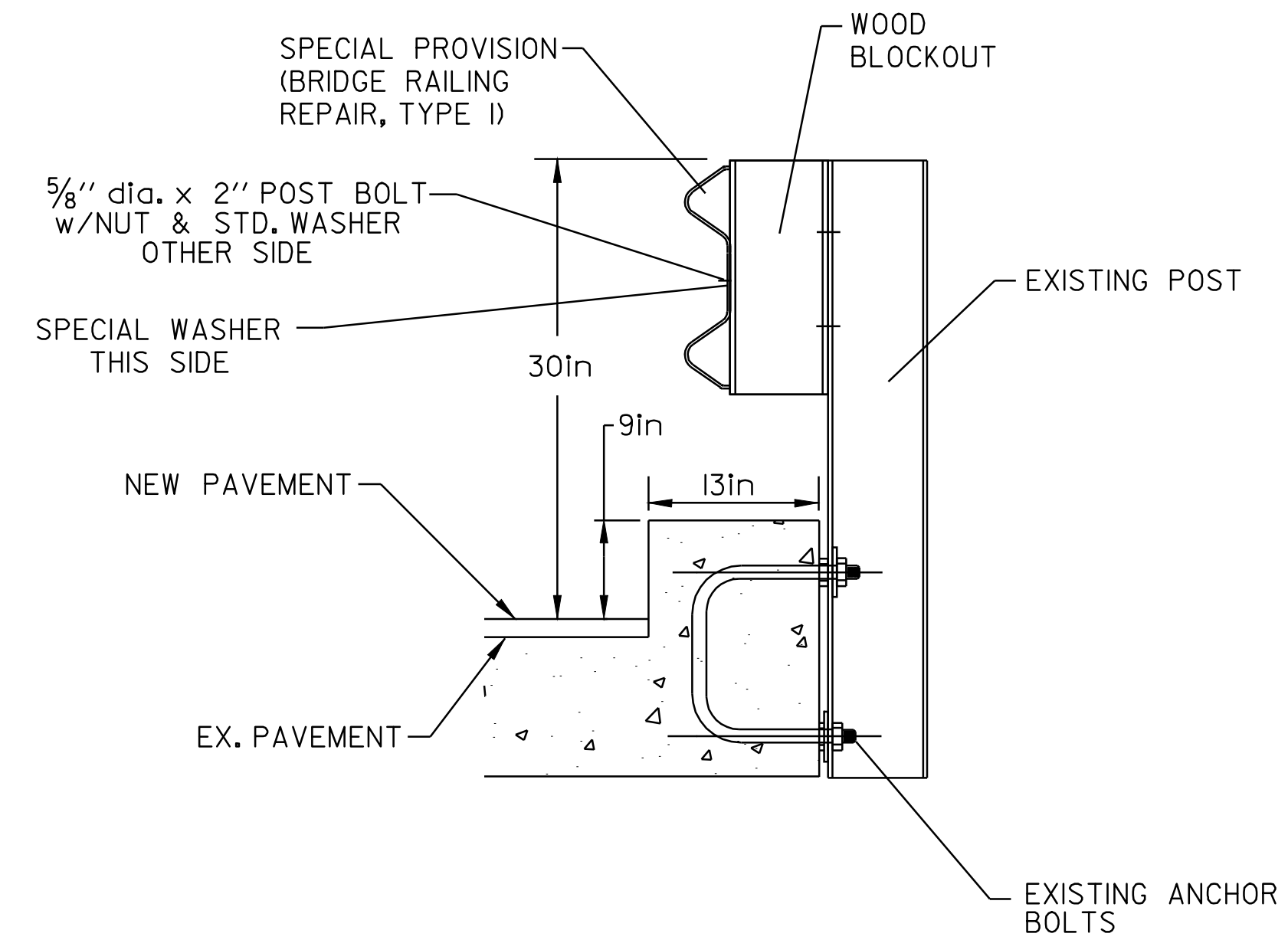
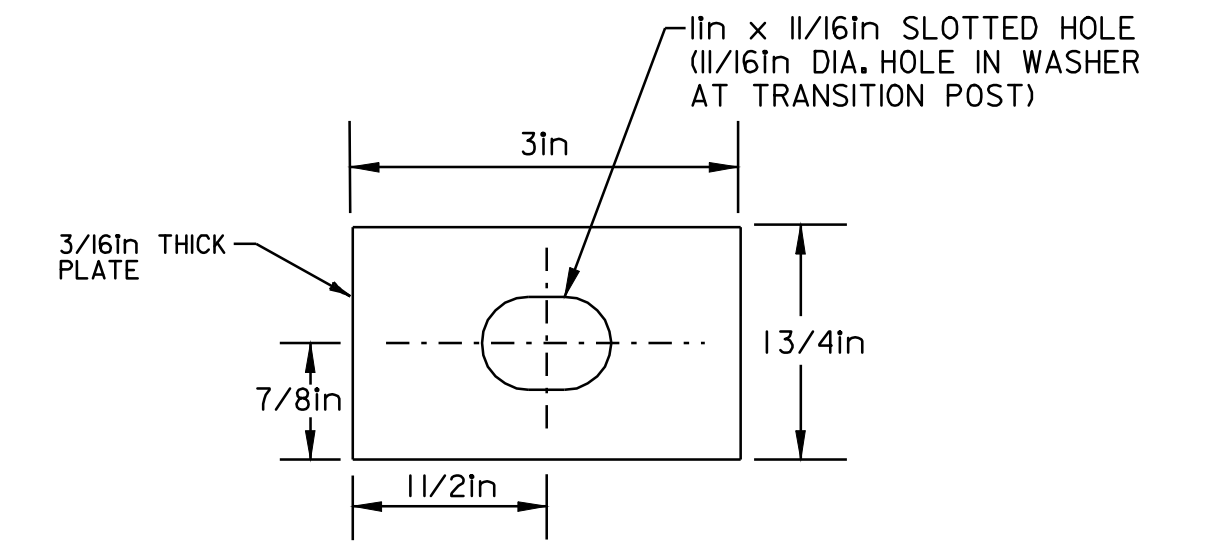


MONTGOMERY – BRIDGE #12
STA 157+15 = MM 2.976
(FIELD MEASURED)



POST DETAIL



SPECIAL WASHER DETAIL
(MATERIAL SHALL MEET AASHTO M 270M/M 270 GRADE 345)

POST DETAILS

- NOTES:
1. BOLTS, NUTS & WASHERS SHALL BE GALVANIZED AND CONFORM TO SUBSECTION 714.07, EXCEPT THAT POST BOLTS SHALL CONFORM TO STANDARD G-I REQUIREMENTS AND BE CORROSION RESISTANT.
 2. POSTS, PLATE AND SPECIAL WASHER SHALL BE OF AASHTO M 270M/M 270 GRADE 345 (GRADE 50) STEEL

**BRIDGE
DETAIL
SHEET
#2**

DESIGNED BY	BCE/PJM	DATE	6-07
DRAWN BY	C.E.A., INC.	DATE	6-07
DESIGN FILE NO.	p06cl62.dgn		
PRF FILE	p06cl62bd2.1	DATE PLOTTED	03-NOV-2009 10
PROJ. NAME	BELVIDERE – MONTGOMERY		
PROJ. NO.	STP 2619(1)S		
SHEET	31	OF	33 SHEETS