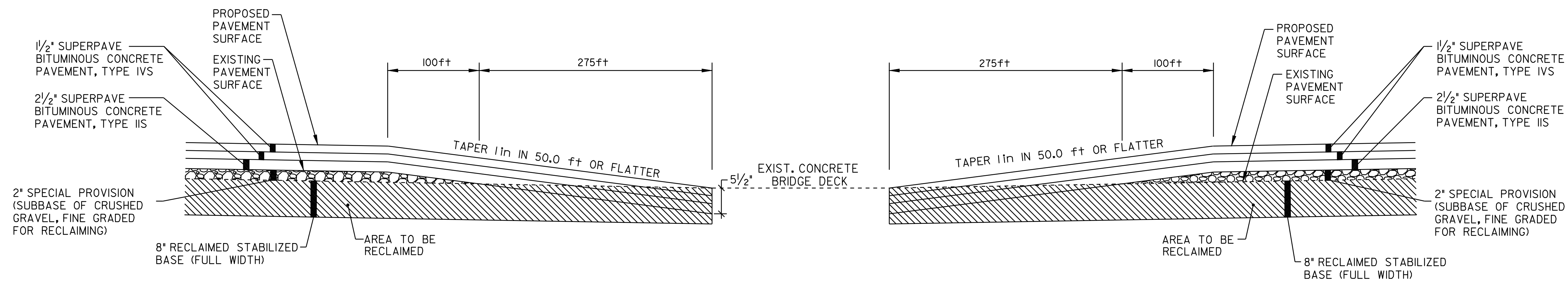
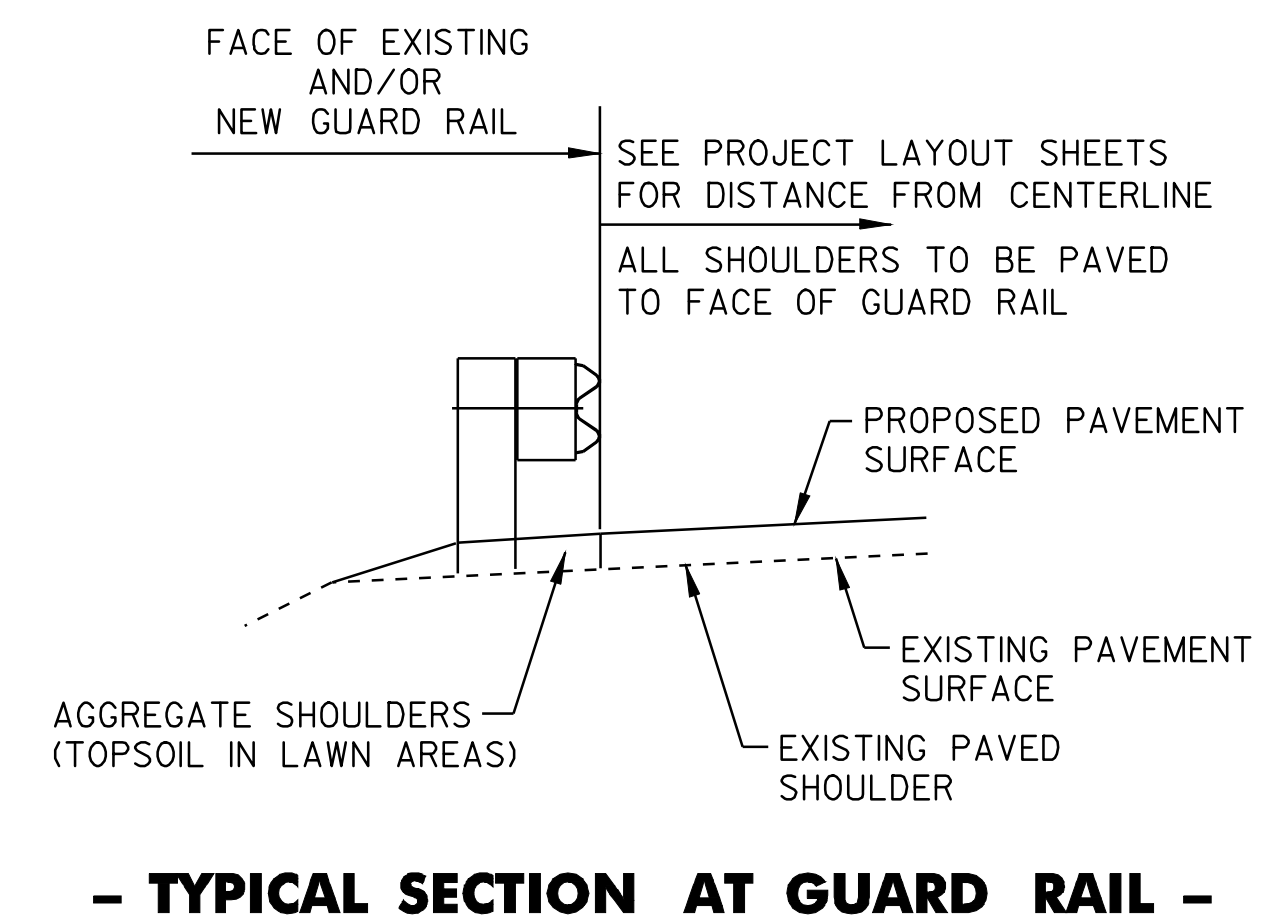
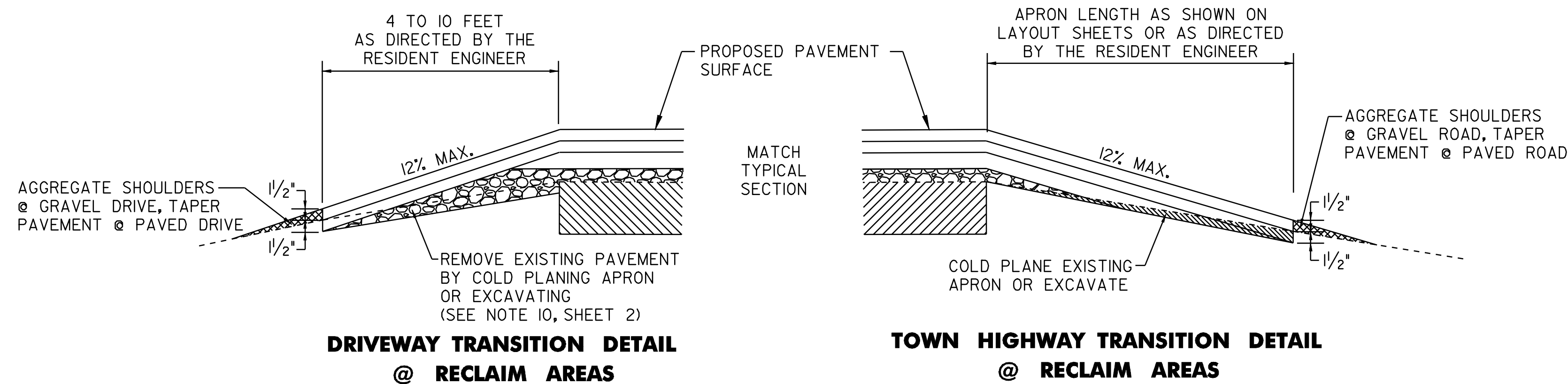


- COLD PLANING DETAIL @ BRIDGE -
MONTGOMERY
BRIDGE #12 - STA 157+15



- BRIDGE APPROACH DETAIL -
MONTGOMERY
BRIDGE #11
STA 119+64 = MM 2.266



- TYPICAL SECTION AT GUARD RAIL -

PROJECT TYPICAL SHEET #2	DESIGNED BY	BCE/PJM	DATE	6-07
	DRAWN BY	C.E.A., INC.	DATE	6-07
	DESIGN FILE NO.	p06cl62.dgn		
	PRF FILE	p06cl62+ts2.1	DATE PLOTTED	03-NOV-2009
	PROJ. NAME	BELVIDERE - MONTGOMERY		
PROJ. NO.	STP 2619(1)S			
SHEET	3	OF	33	SHEETS