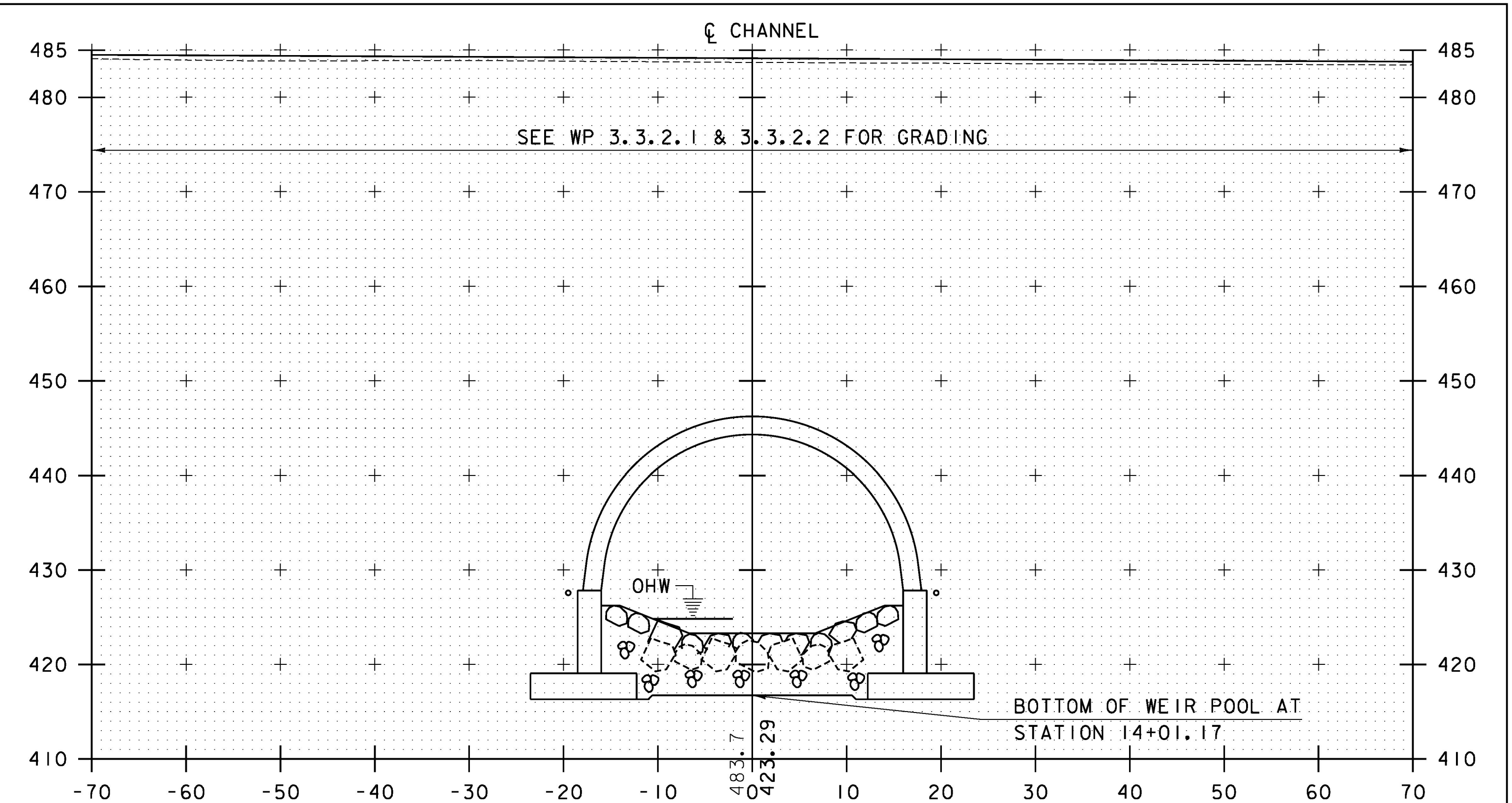
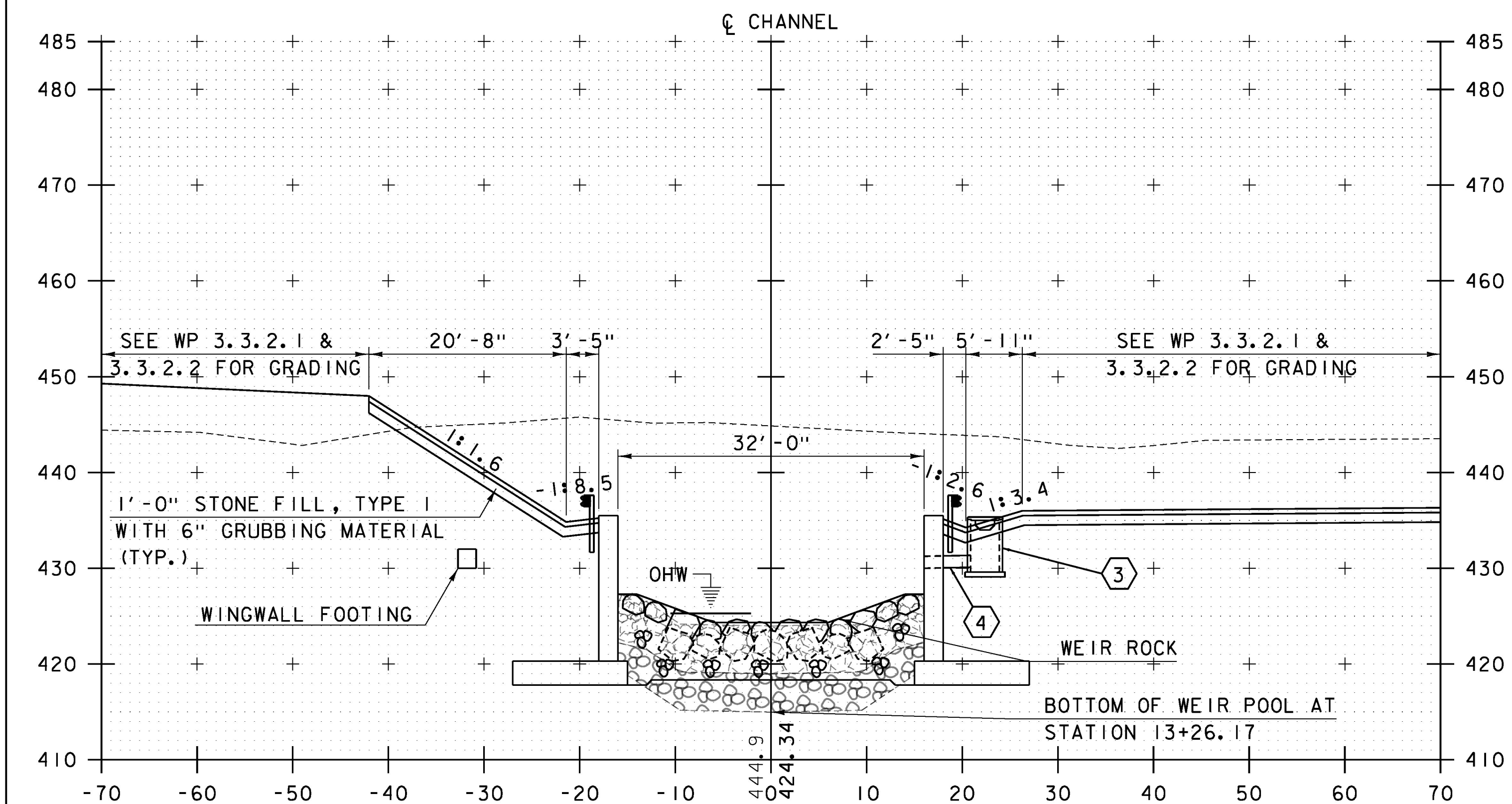


STA. 13+12.00
BEGIN WACR BURIED STRUCTURE

13+25



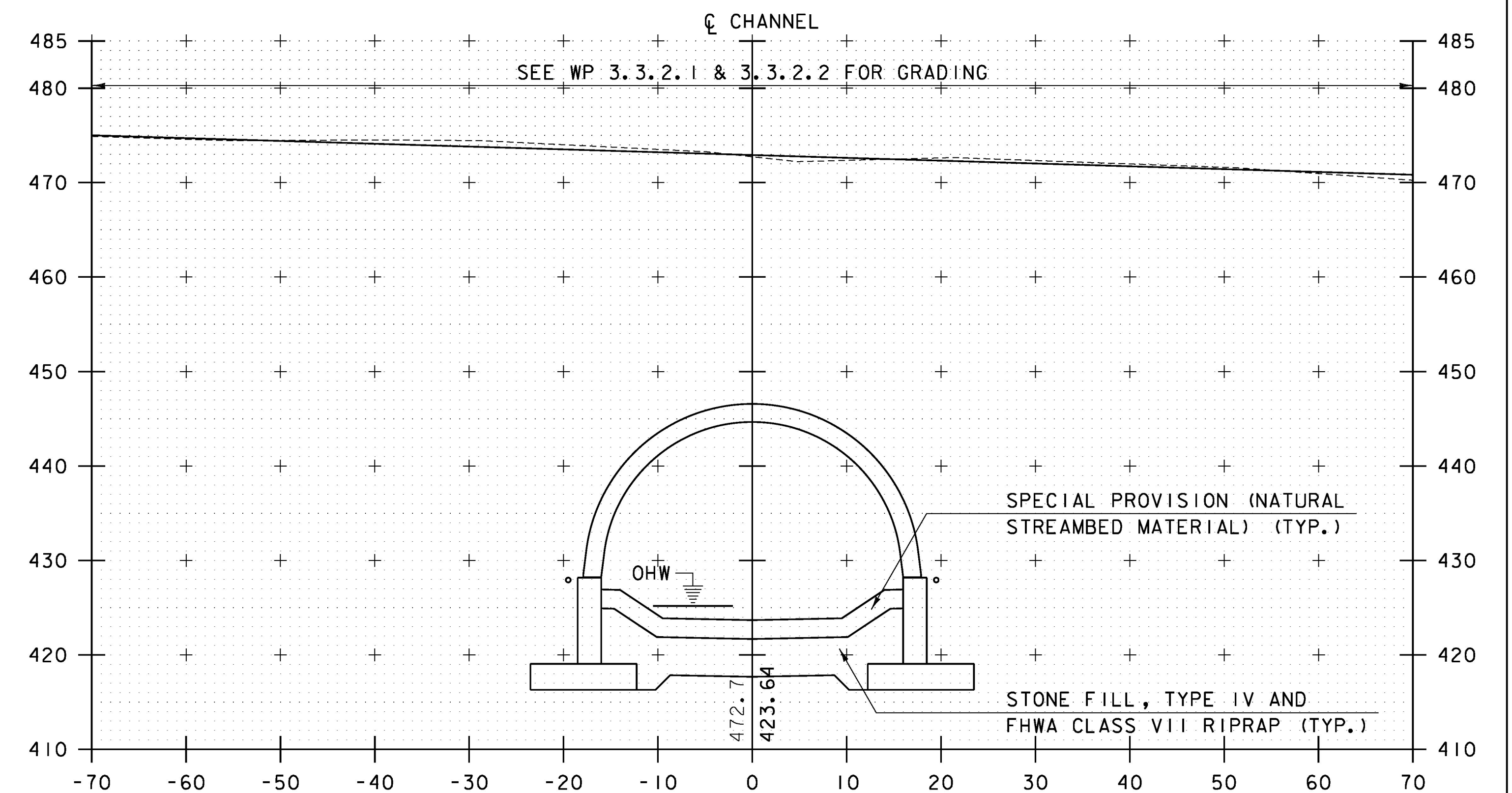
13+75



13+00

3 STA. 12+97.66, 22.50' RT
PRECAST REINFORCED CONCRETE PIPE
DROP INLET WITH THROAT AND COVER,
SEE VTRANS STD D-1 FOR DETAILS
INV. IN = 434.00
INV. OUT = 430.10
INSTALL WITH INLET ON SOUTH & WEST

4 STA. 12+97.66, 22.50' RT TO
STA. 12+97.75, 16.00' RT
15" CPEP (SL) (5'-0")
INV. IN = 430.10
INV. OUT = 430.00



13+50

SCALE 1" = 10'-0"
10 0 10



PROJECT NAME: RYEGATE
PROJECT NUMBER: STP CULV(10)

FILE NAME: z06cl56chxs.dgn
PROJECT LEADER: E. DETRICK
DESIGNED BY: R. BARNES
CHANNEL CROSS SECTIONS 4 OF 6

PLOT DATE: 3/23/16
DRAWN BY: R. BARNES
CHECKED BY: E. DETRICK
SHEET 34 OF 36