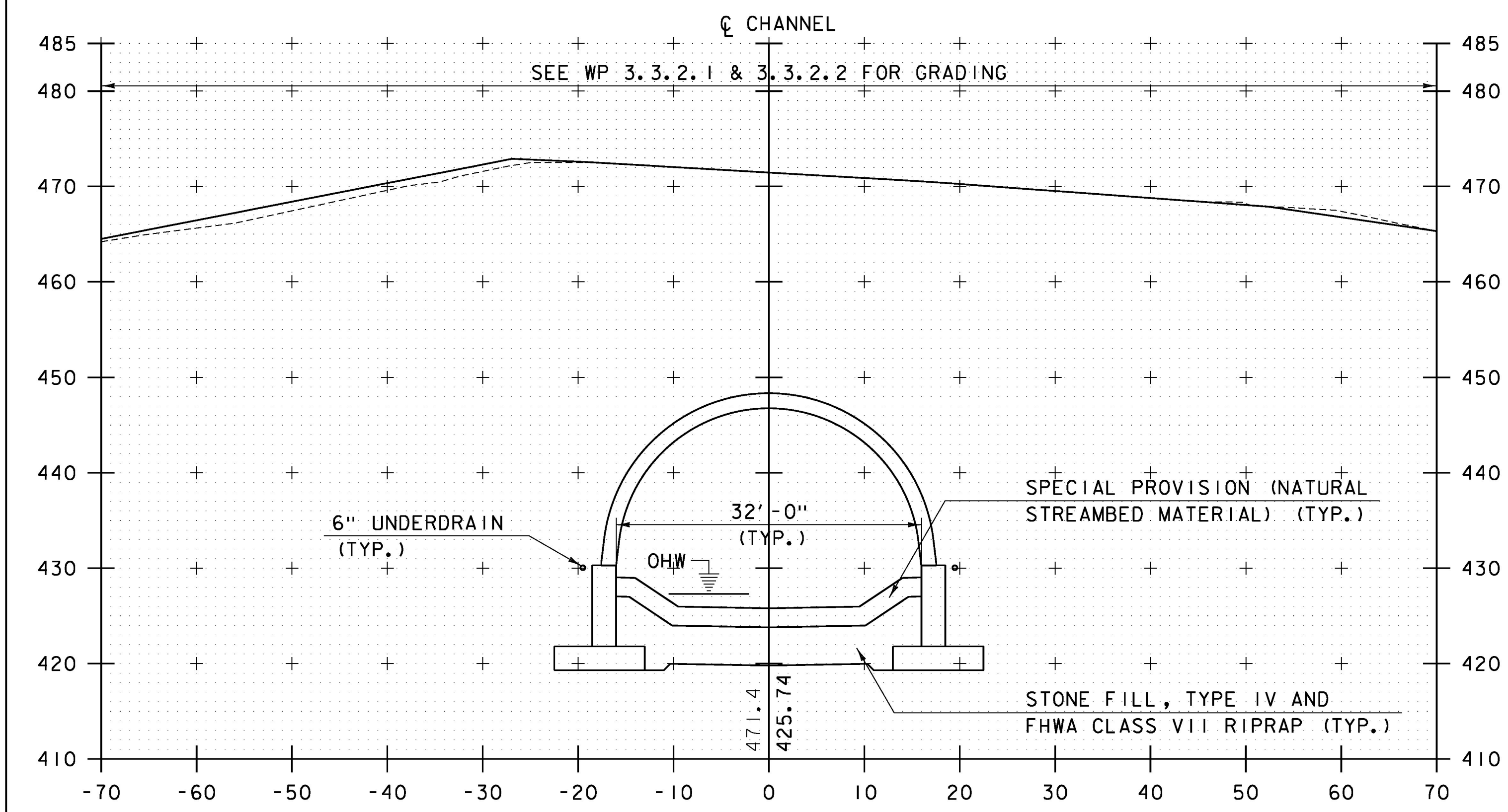
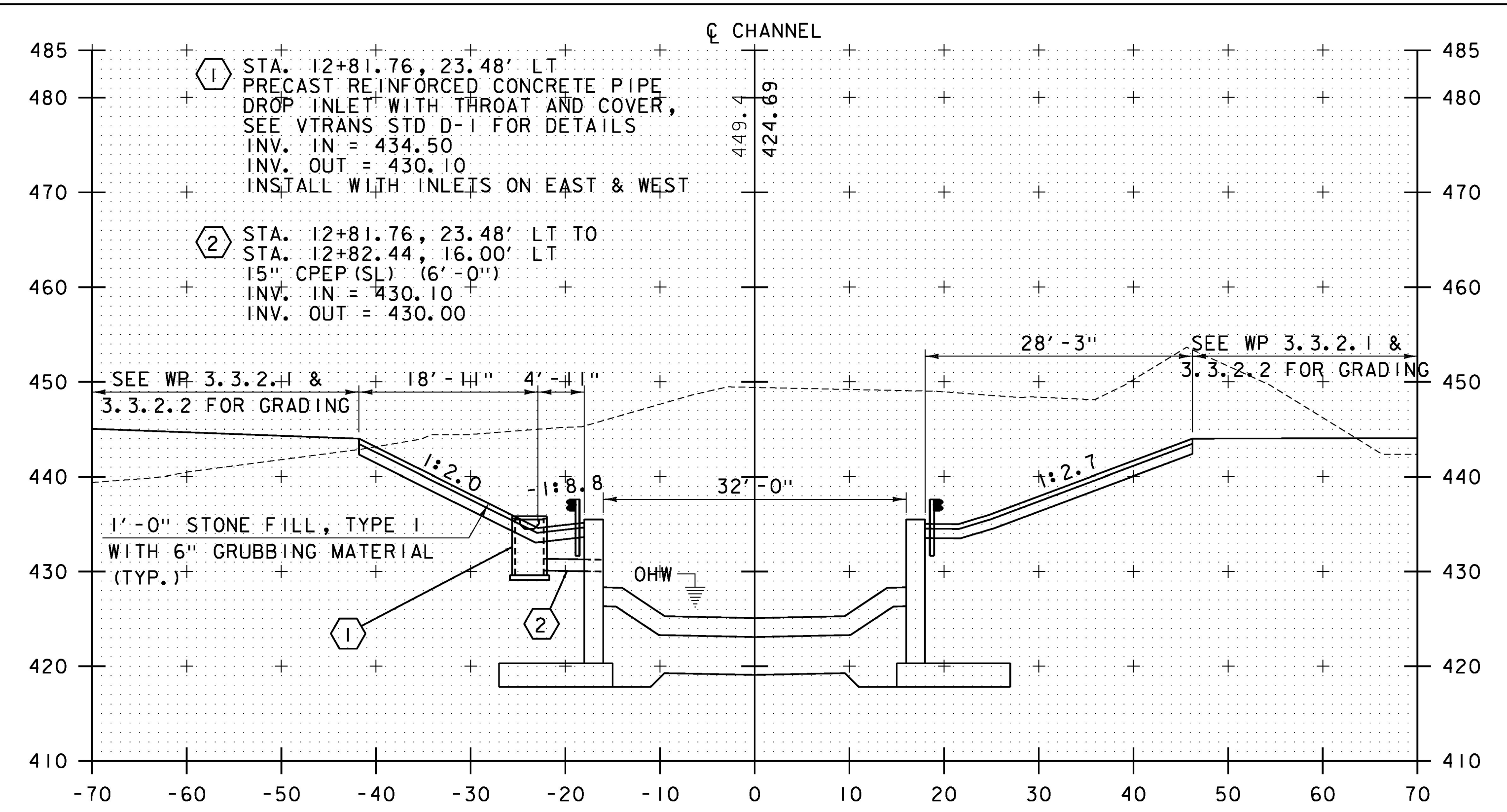


12+25

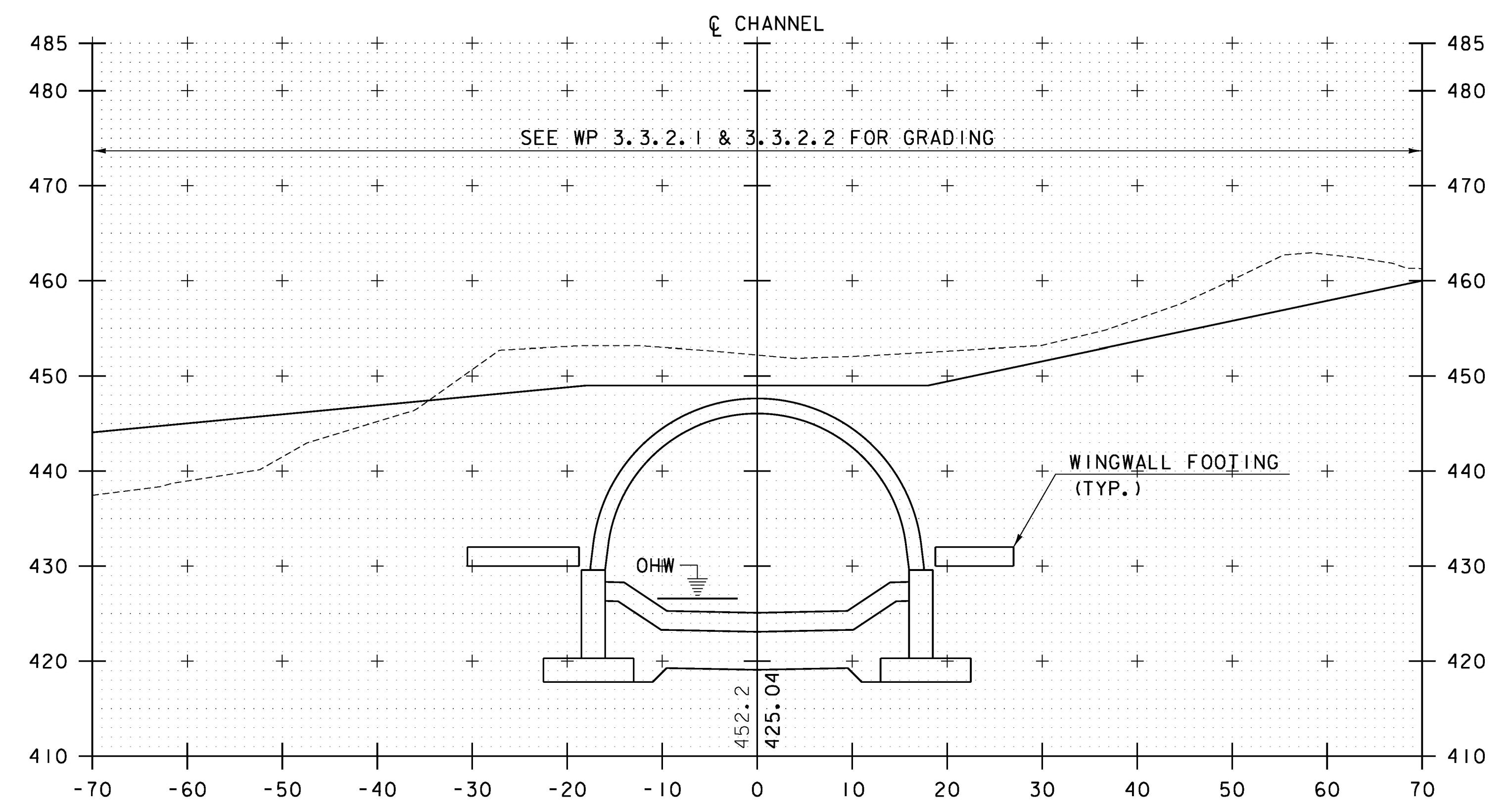


12+00

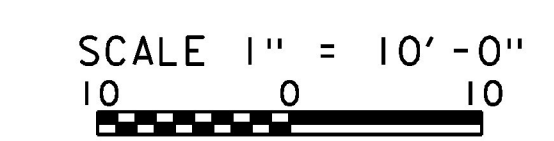


STA. 12+55.25  
END US 5 BURIED STRUCTURE

12+75



12+50



PROJECT NAME:	RYEGATE	FILE NAME:	z06cl56chxs.dgn	PLOT DATE:	3/23/16
PROJECT NUMBER:	STP CULV(10)	PROJECT LEADER:	E. DETRICK	DRAWN BY:	R. BARNES
		DESIGNED BY:	R. BARNES	CHECKED BY:	E. DETRICK
		CHANNEL CROSS SECTIONS	3 OF 6	SHEET	33 OF 36