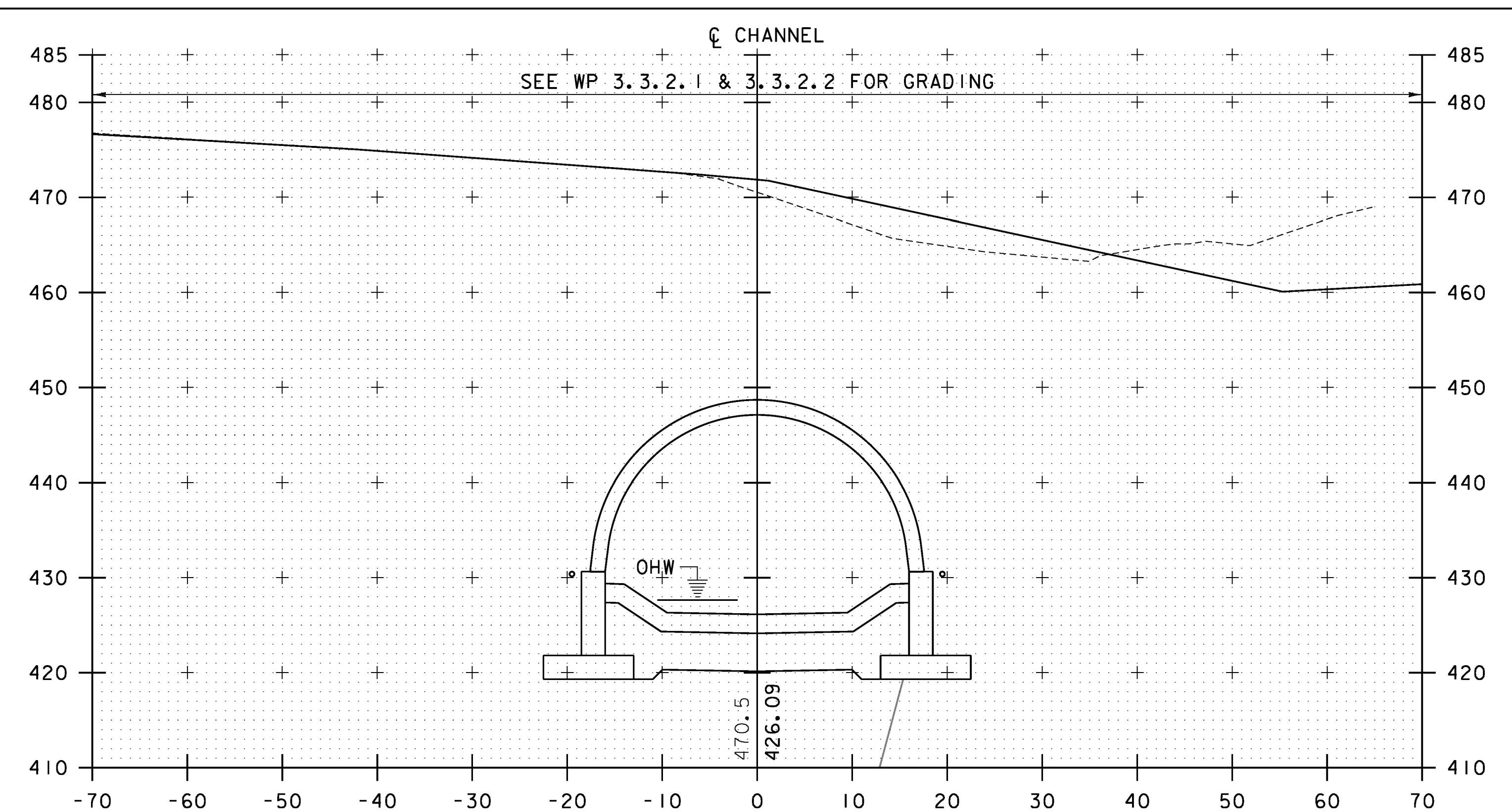
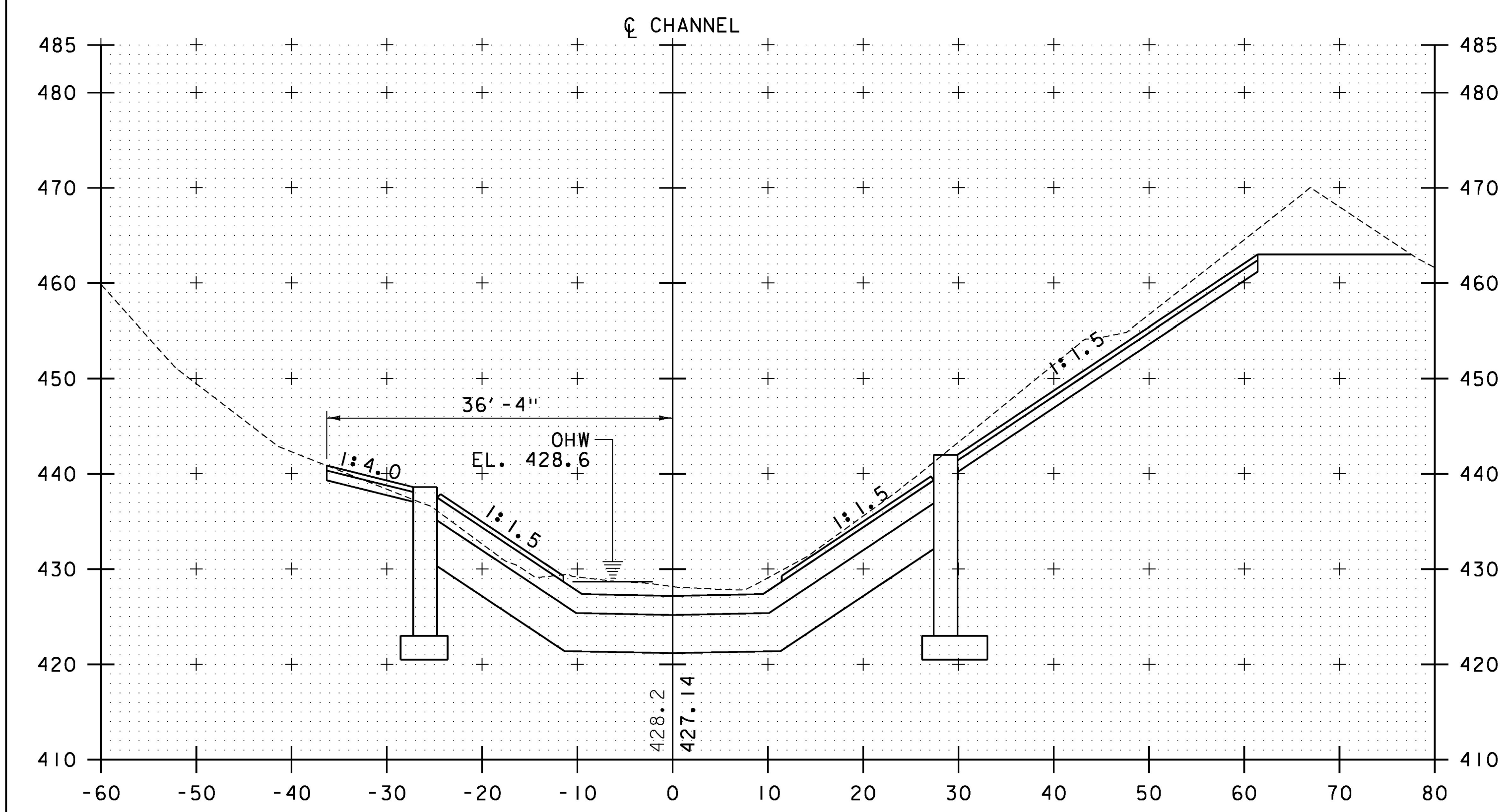


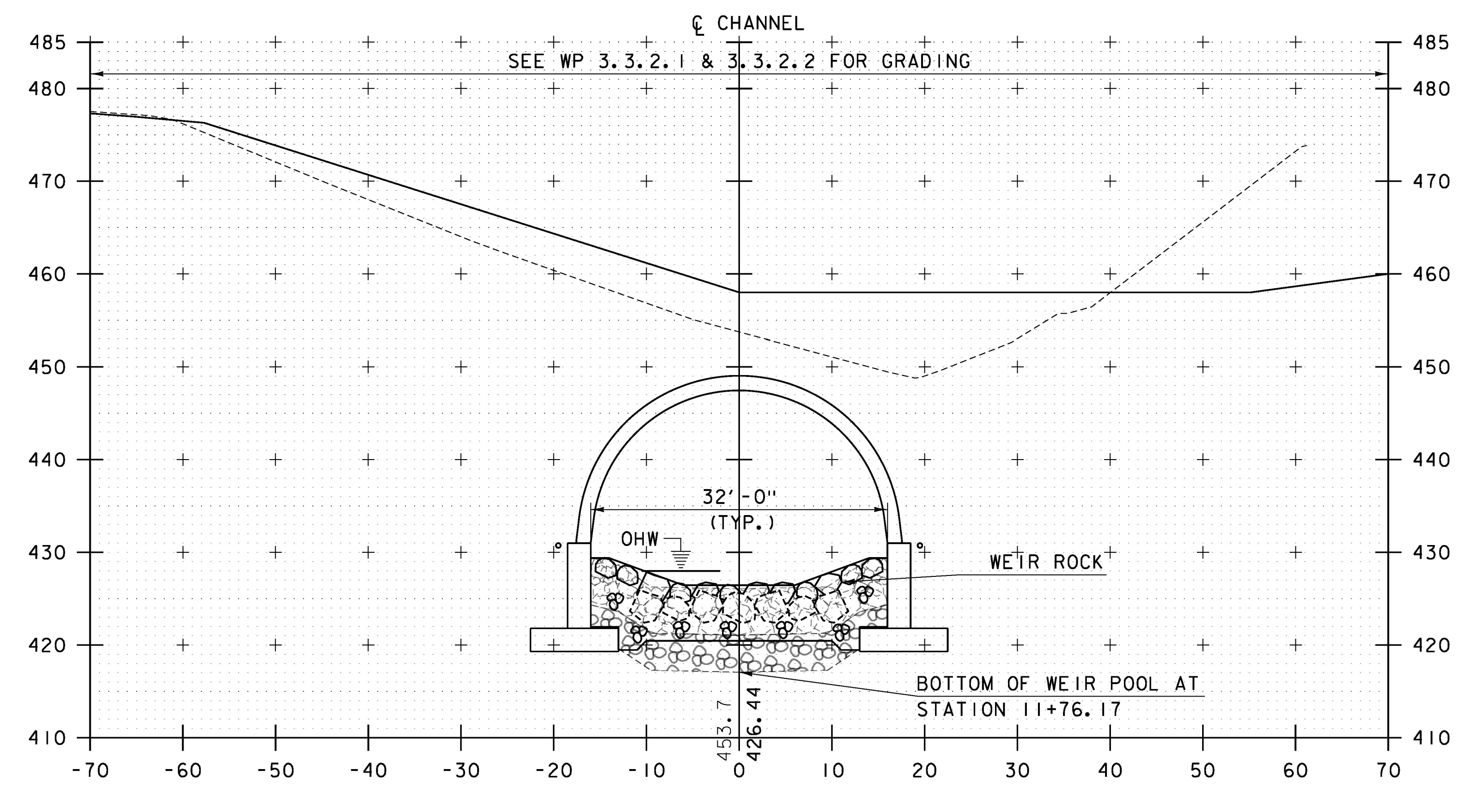
STA. 11+11.25
 BEGIN US 5 BURIED STRUCTURE
 END GRUBBING MATERIAL
 11+25



11+75



11+00



11+50

SCALE 1" = 10'-0"
 10 0 10



PROJECT NAME: RYEGATE
 PROJECT NUMBER: STP CULV(10)

FILE NAME: z06cl56chxs.dgn
 PROJECT LEADER: E. DETRICK
 DESIGNED BY: R. BARNES
 CHANNEL CROSS SECTIONS 2 OF 6

PLOT DATE: 3/23/16
 DRAWN BY: R. BARNES
 CHECKED BY: E. DETRICK
 SHEET 32 OF 36