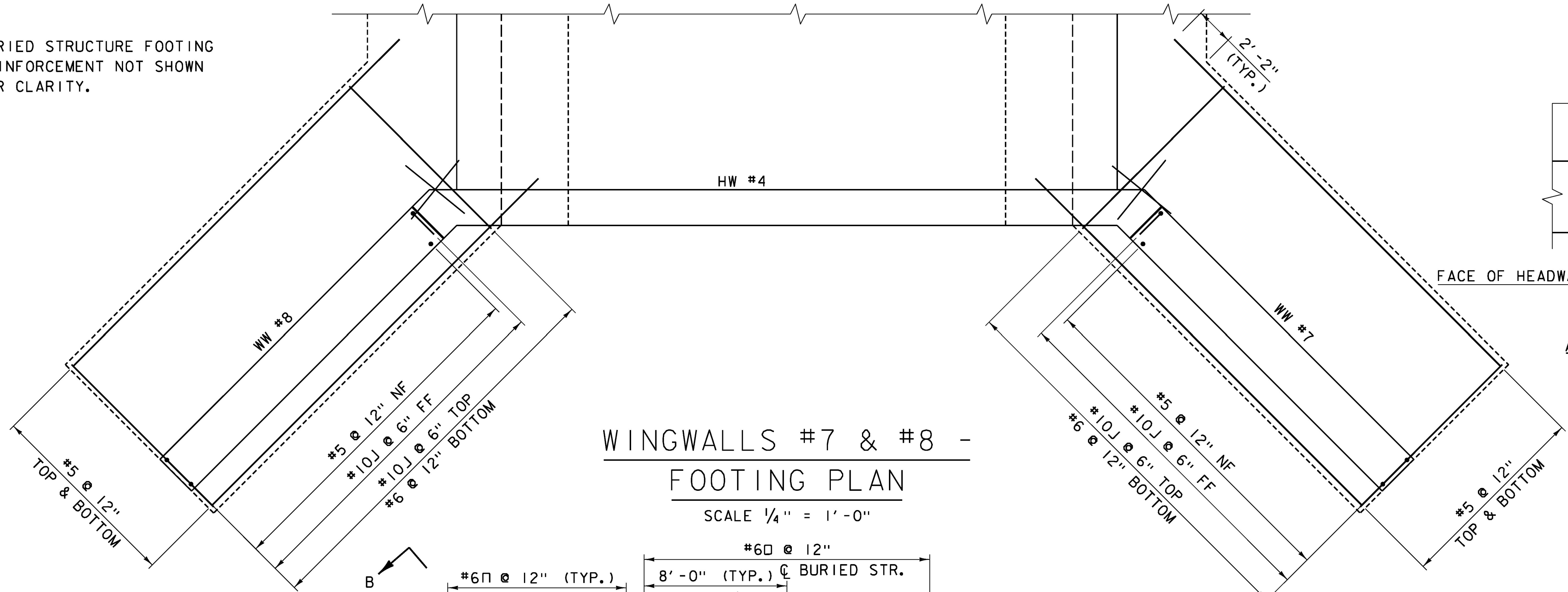
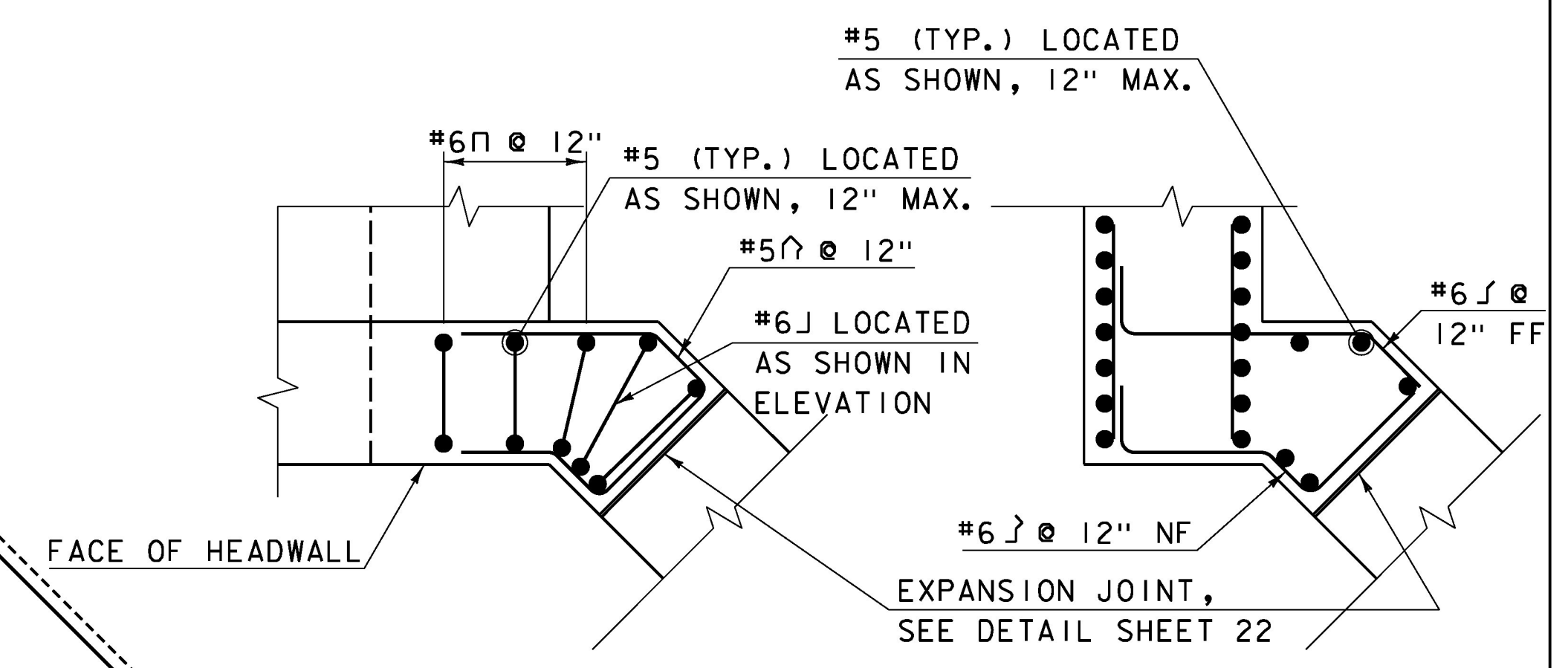


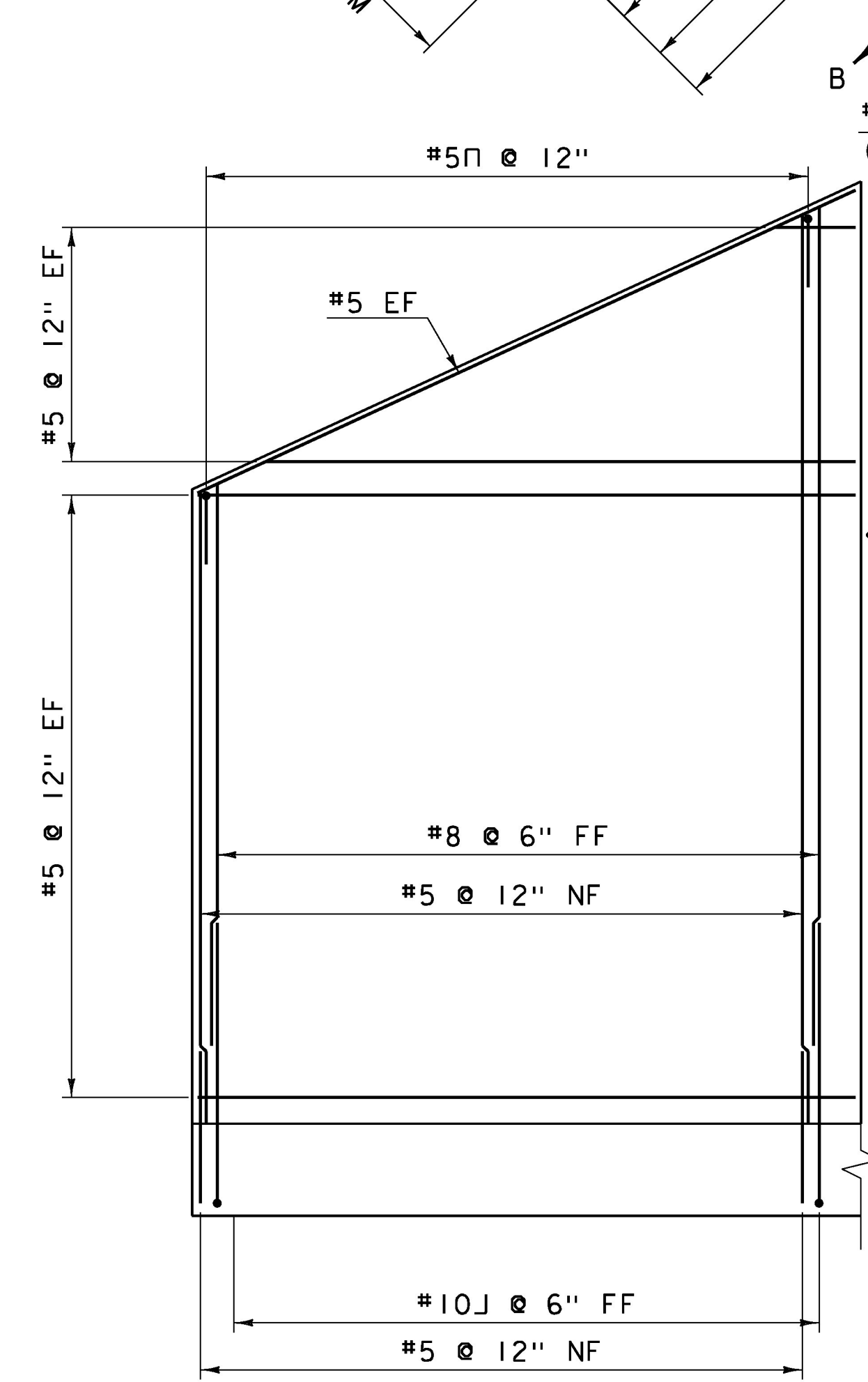
NOTE: BURIED STRUCTURE FOOTING REINFORCEMENT NOT SHOWN FOR CLARITY.



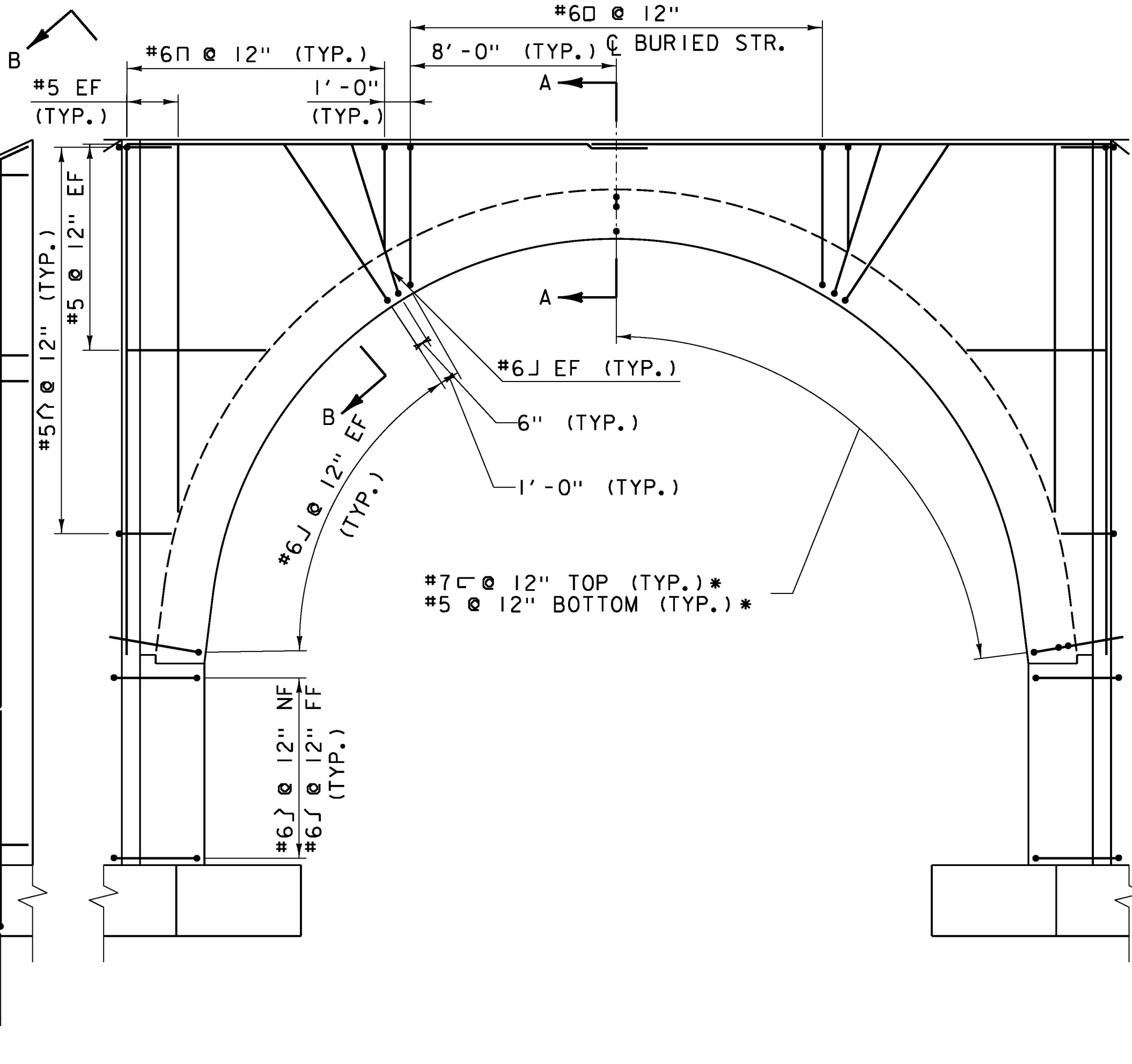
WINGWALLS #7 & #8 -  
FOOTING PLAN  
SCALE 1/4" = 1'-0"



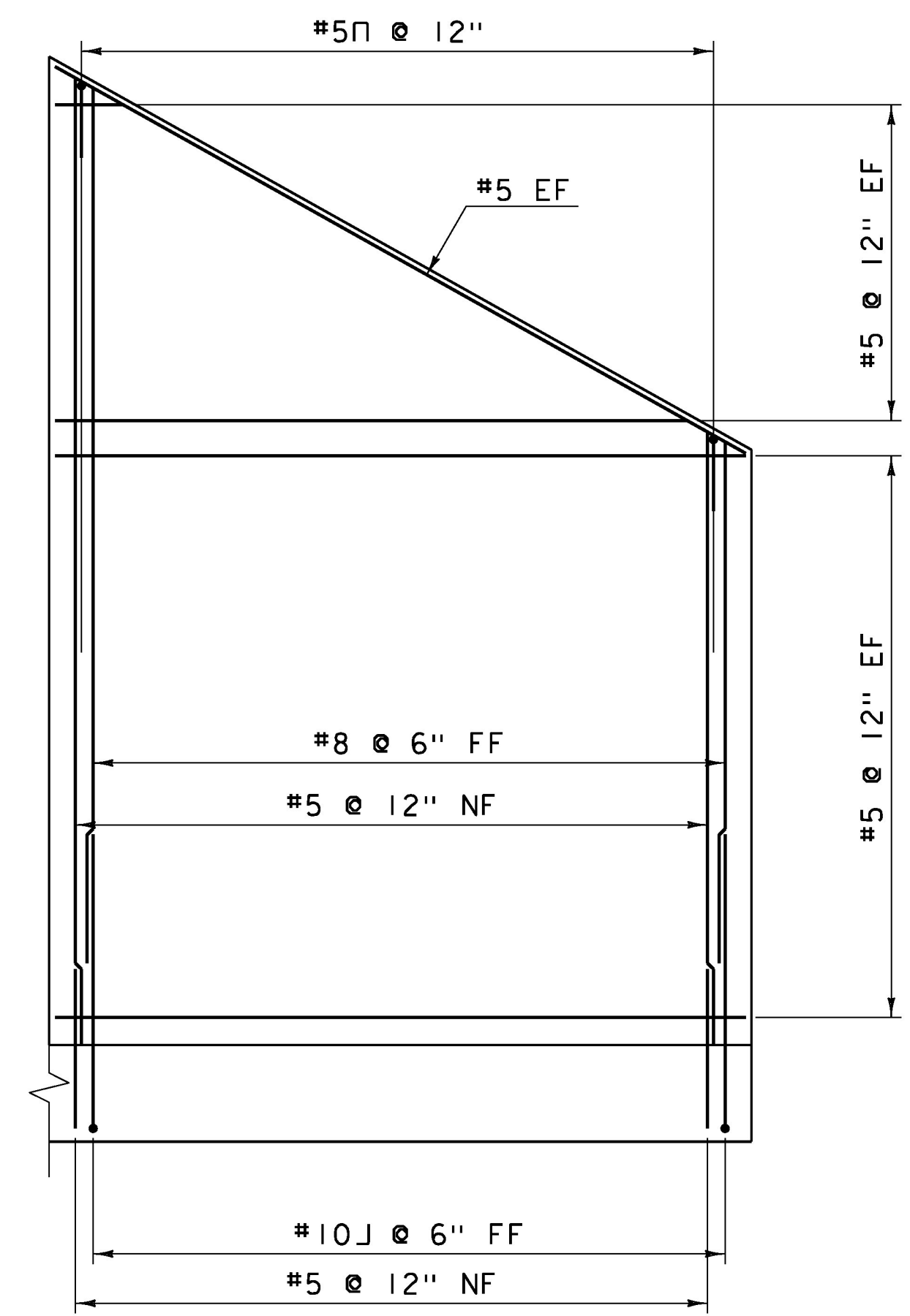
ABOVE TOP OF PEDESTAL  
BELOW TOP OF PEDESTAL  
TYPICAL WINGWALL CORNER DETAIL  
NOT TO SCALE



NOTE: WINGWALL #8 - ELEVATION



HEADWALL #4 - ELEVATION



WINGWALL #7 - ELEVATION

NF = NEAR FACE  
FF = FAR FACE  
EF = EACH FACE  
▲ = CUT TO FIT IN FIELD  
3" CLEAR, UNLESS OTHERWISE SPECIFIED ON THE PLANS.  
2'-2" BAR LAP UNLESS OTHERWISE SPECIFIED ON THE PLANS.

- NOTES:
- SEE SHEET 23 FOR WINGWALL SECTION.
  - HEADWALL REINFORCING STEEL MIRRORED ABOUT STRUCTURE CENTERLINE.
  - MAIN REINFORCING STEEL IN BOTTOM OF HEADWALL SECTION, ALTHOUGH NOT SHOWN IN ELEVATION FOR CLARITY, WILL BE THE SAME AS THAT USED IN THE ADJACENT BURIED STRUCTURE.

\* #7 AND #5 MECHANICAL BAR CONNECTOR AT HEADWALL JOINT.

PROJECT NAME: RYEGATE	PLOT DATE: 3/23/16
PROJECT NUMBER: STP CULV(10)	DRAWN BY: R. BARNES
FILE NAME: z06cl56sub4.dgn	CHECKED BY: E. DETRICK
DESIGNED BY: R. BARNES	SHEET 29 OF 36
WACR OUTLET DETAILS	

