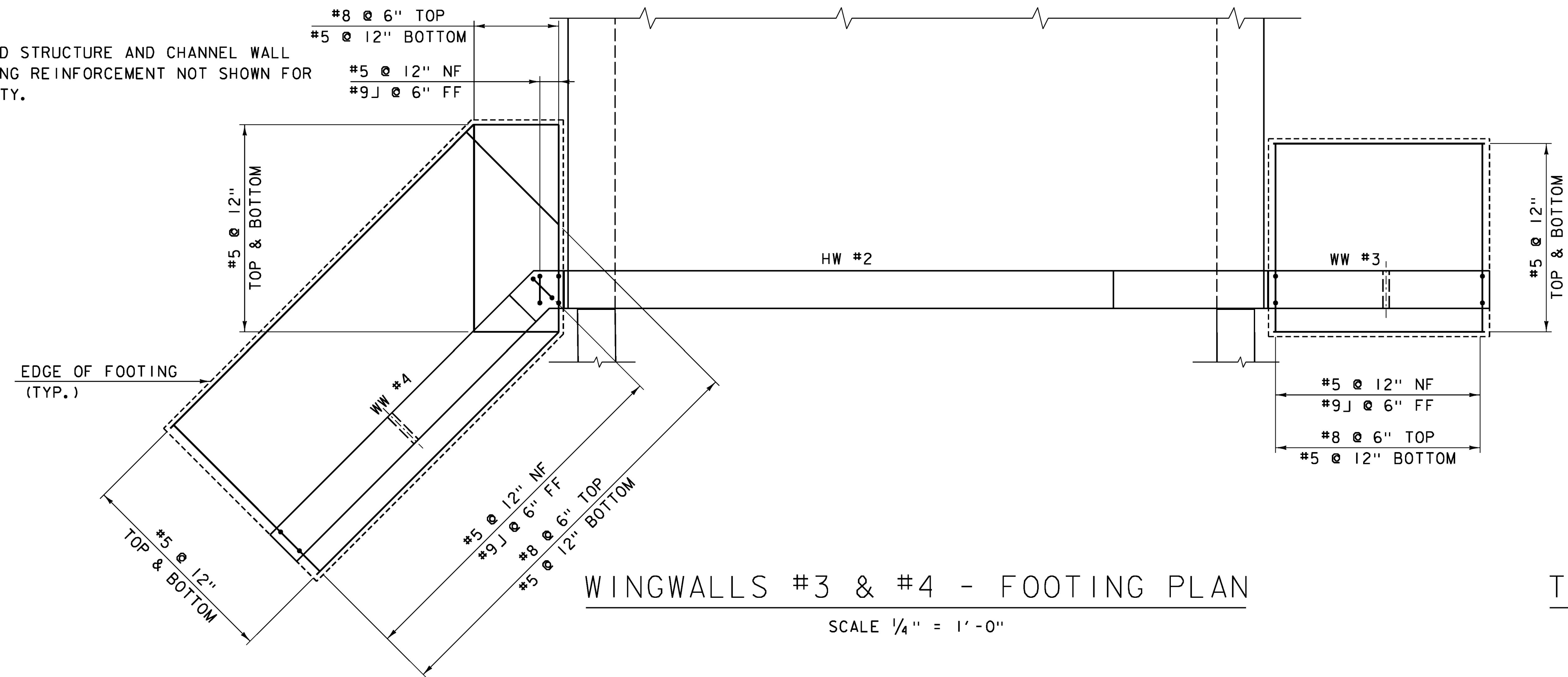
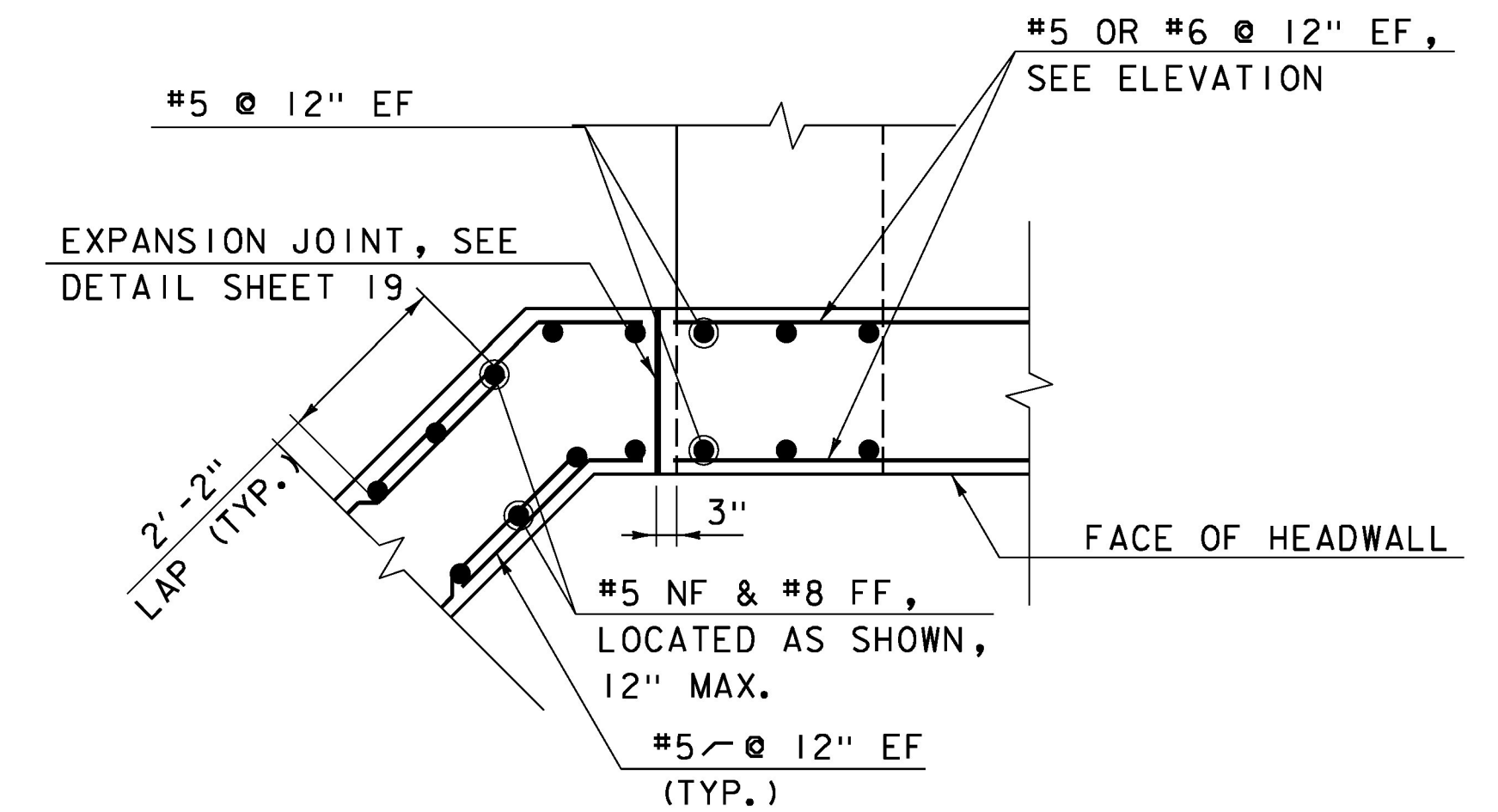


NOTE: BURIED STRUCTURE AND CHANNEL WALL FOOTING REINFORCEMENT NOT SHOWN FOR CLARITY.



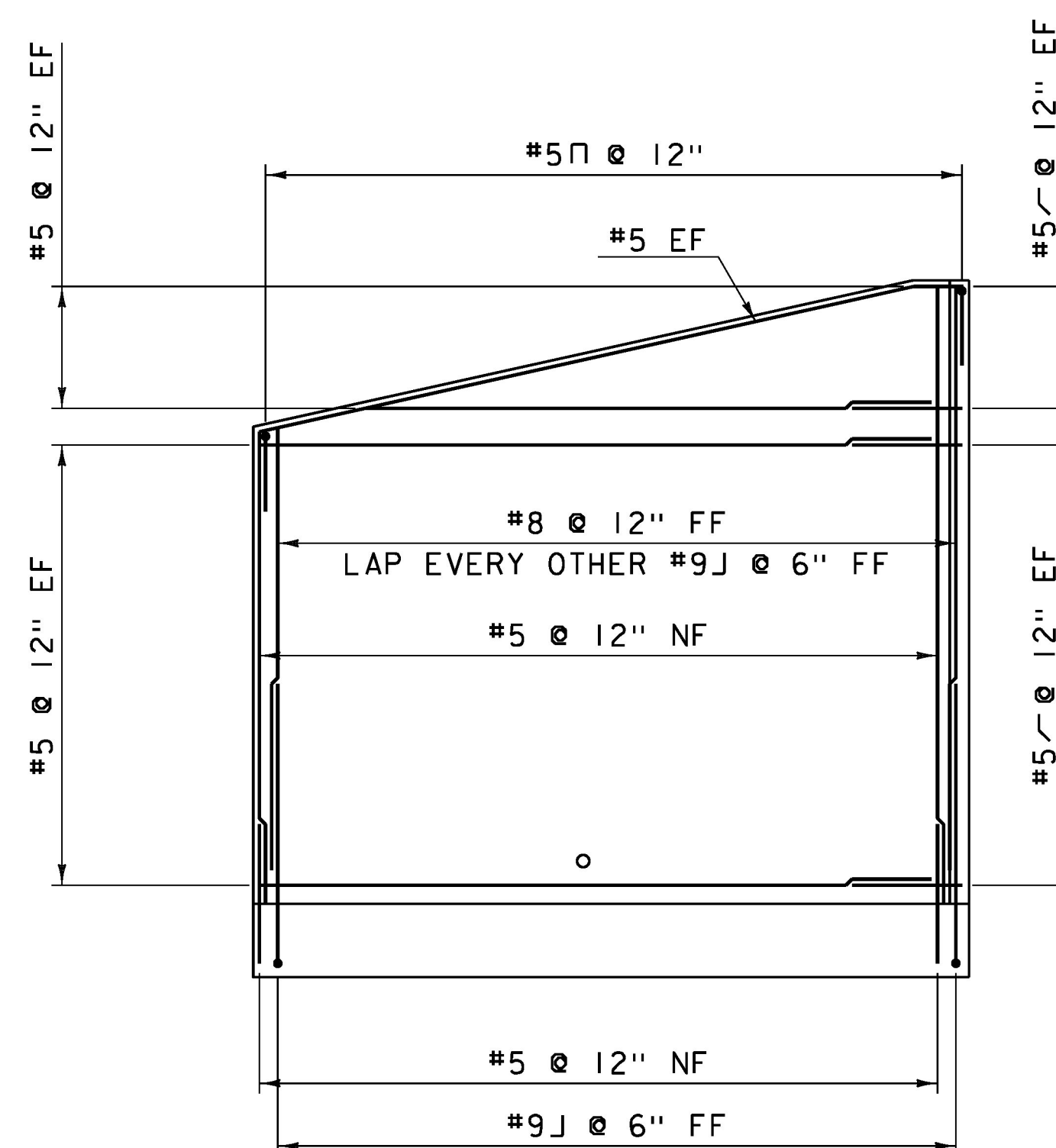
WINGWALLS #3 & #4 - FOOTING PLAN

SCALE 1/4" = 1'-0"



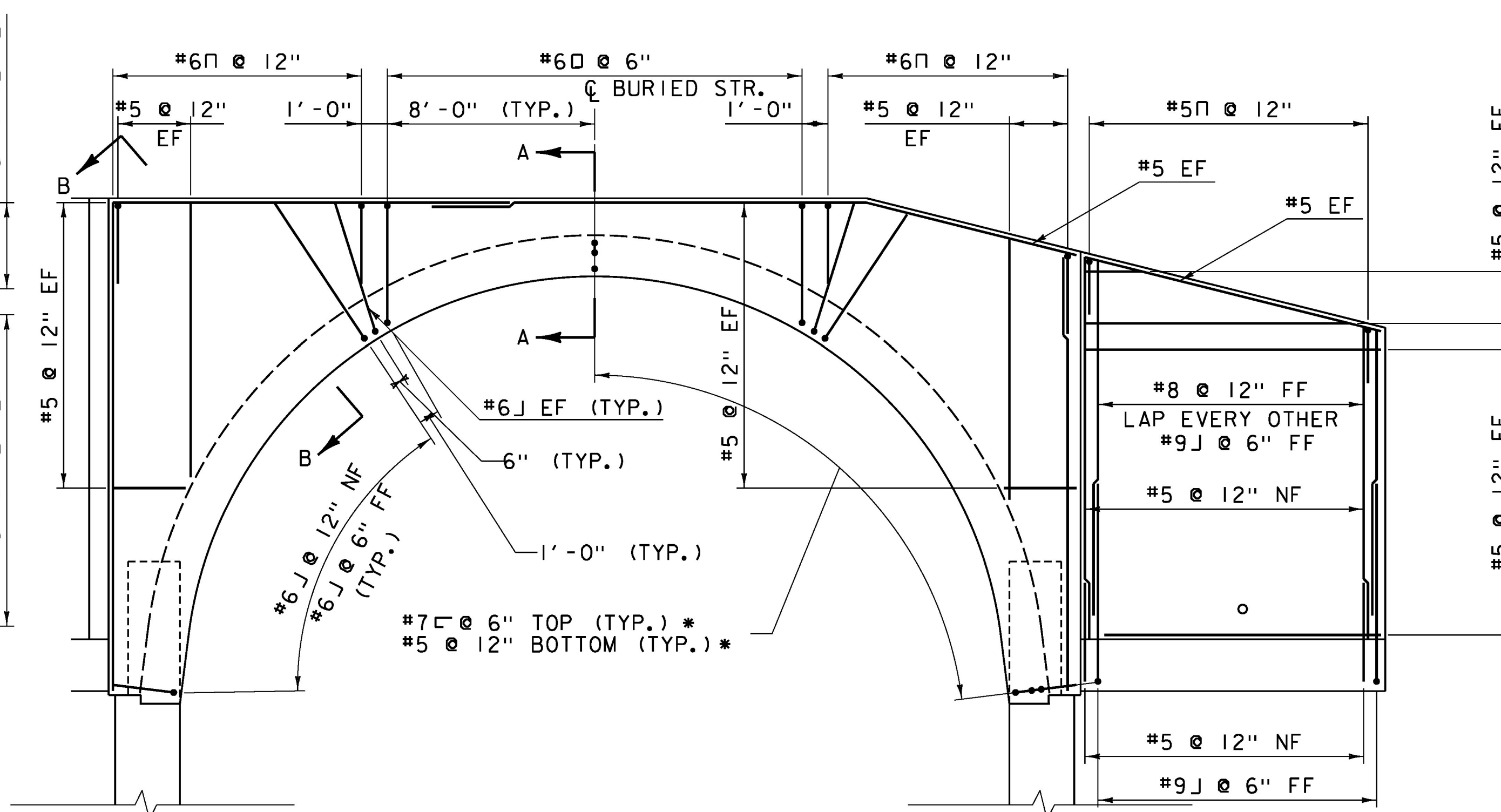
TYPICAL WINGWALL CORNER DETAIL

NOT TO SCALE



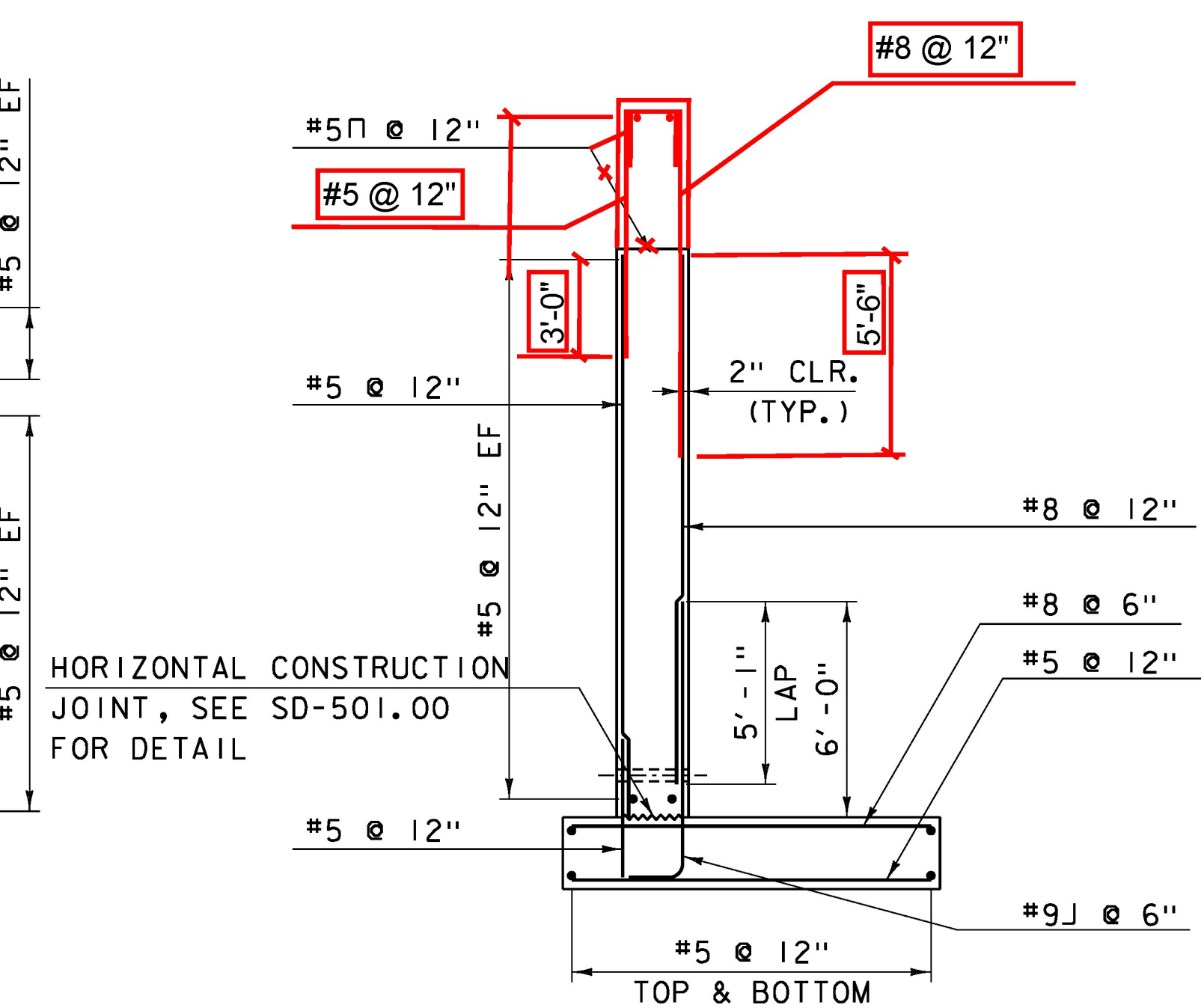
WINGWALL #4 - ELEVATION

SCALE 1/4" = 1'-0"



HEADWALL #2 & WINGWALL #3 - ELEVATION

SCALE 1/4" = 1'-0"



WINGWALL - SECTION

(WINGWALLS #3, #4, #5, AND #6)  
SCALE 1/4" = 1'-0"

NOTE:  
NF = NEAR FACE  
FF = FAR FACE  
EF = EACH FACE  
▲ = CUT TO FIT IN FIELD  
3" CLEAR, UNLESS OTHERWISE SPECIFIED ON THE PLANS.  
2'-2" BAR LAP UNLESS OTHERWISE SPECIFIED ON THE PLANS.

NOTES:  
1. SEE SHEET 23 FOR SECTIONS A-A AND B-B.  
2. MAIN REINFORCING STEEL IN BOTTOM OF HEADWALL SECTION, ALTHOUGH NOT SHOWN IN ELEVATION FOR CLARITY, WILL BE THE SAME AS THAT USED IN THE ADJACENT BURIED STRUCTURE.

\* #7 AND #5 MECHANICAL BAR CONNECTOR AT HEADWALL JOINT.

PROJECT NAME: RYEGATE  
PROJECT NUMBER: STP CULV(10)

FILE NAME: z06cl56sub2.dgn  
PROJECT LEADER: E. DETRICK  
DESIGNED BY: R. BARNES  
US 5 OUTLET DETAILS

PLOT DATE: 6/23/2015  
DRAWN BY: R. BARNES  
CHECKED BY: E. DETRICK  
SHEET 25 OF 36

