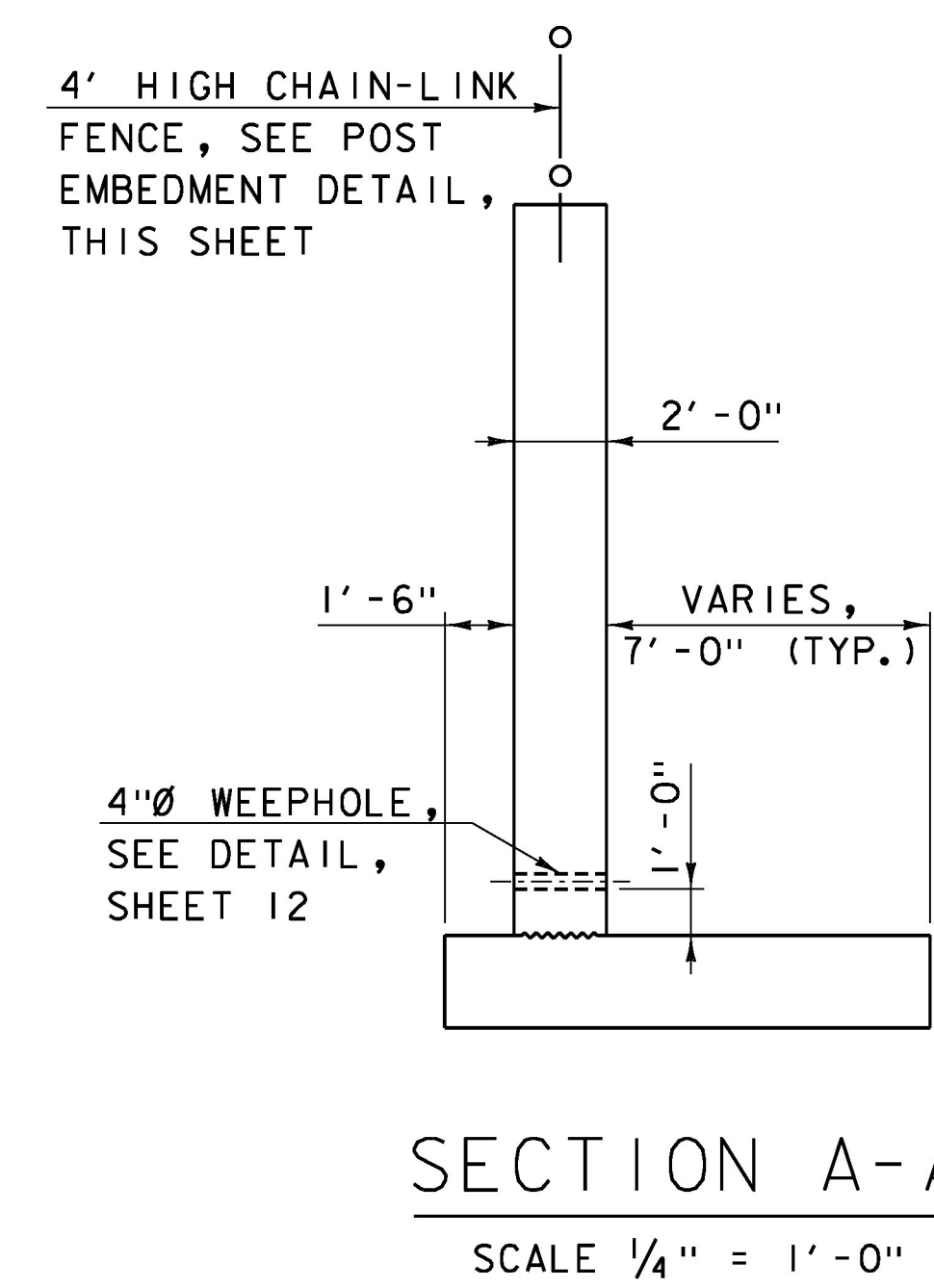
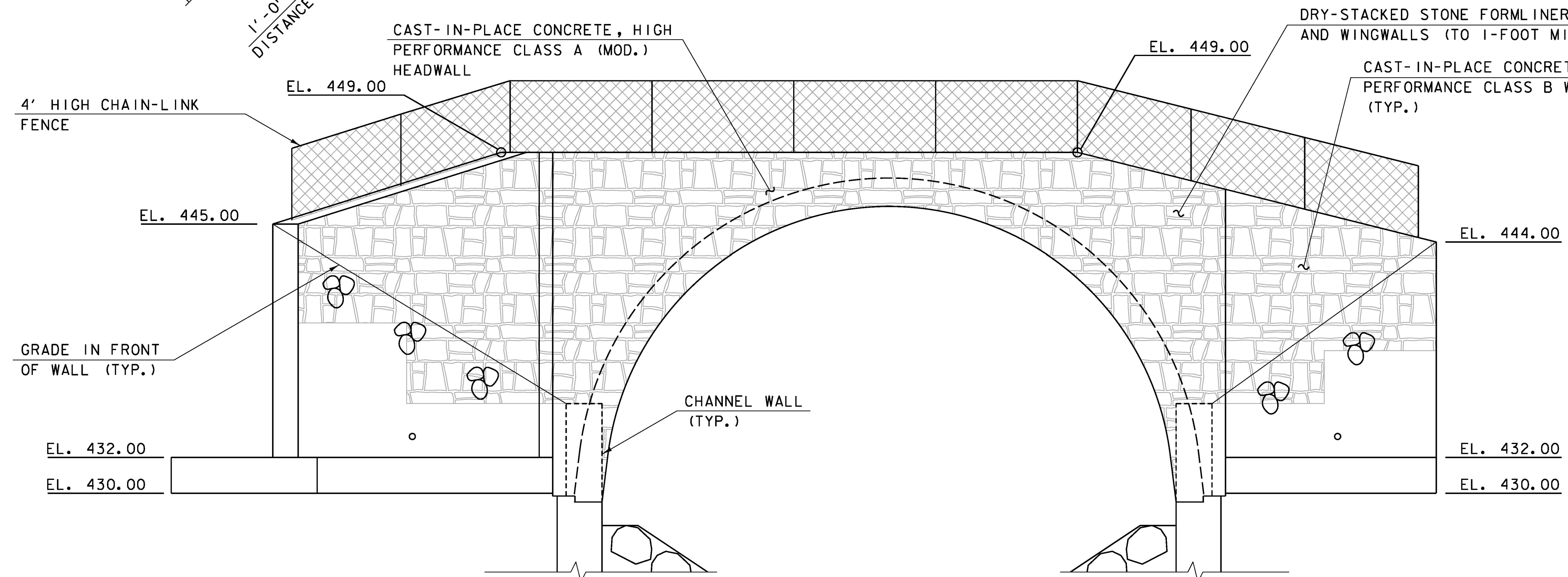


POST EMBEDMENT DETAIL
NOT TO SCALE



NOTE: HW #2 & WW #4 HAVE BEEN DESIGNED FOR THE TEMPORARY SURCHARGE OF THE MSE WALL, IN-PLACE FOR THE US ROUTE 5 DIVERSION.

* POST SPACING MEASURED ALONG HORIZONTAL. POST SPACING INDICATED IS TYPICAL ALONG WINGWALL SLOPES AND HEADWALL, AS SHOWN.

PROJECT NAME: RYEGATE	FILE NAME: z06cl56sub2.dgn	PLOT DATE: 3/23/16
PROJECT NUMBER: STP CULV(10)	PROJECT LEADER: E. DETRICK	DRAWN BY: R. BARNES
	DESIGNED BY: R. BARNES	CHECKED BY: E. DETRICK
	US 5 OUTLET PLAN, ELEVATION, SECTION	SHEET 24 OF 36

