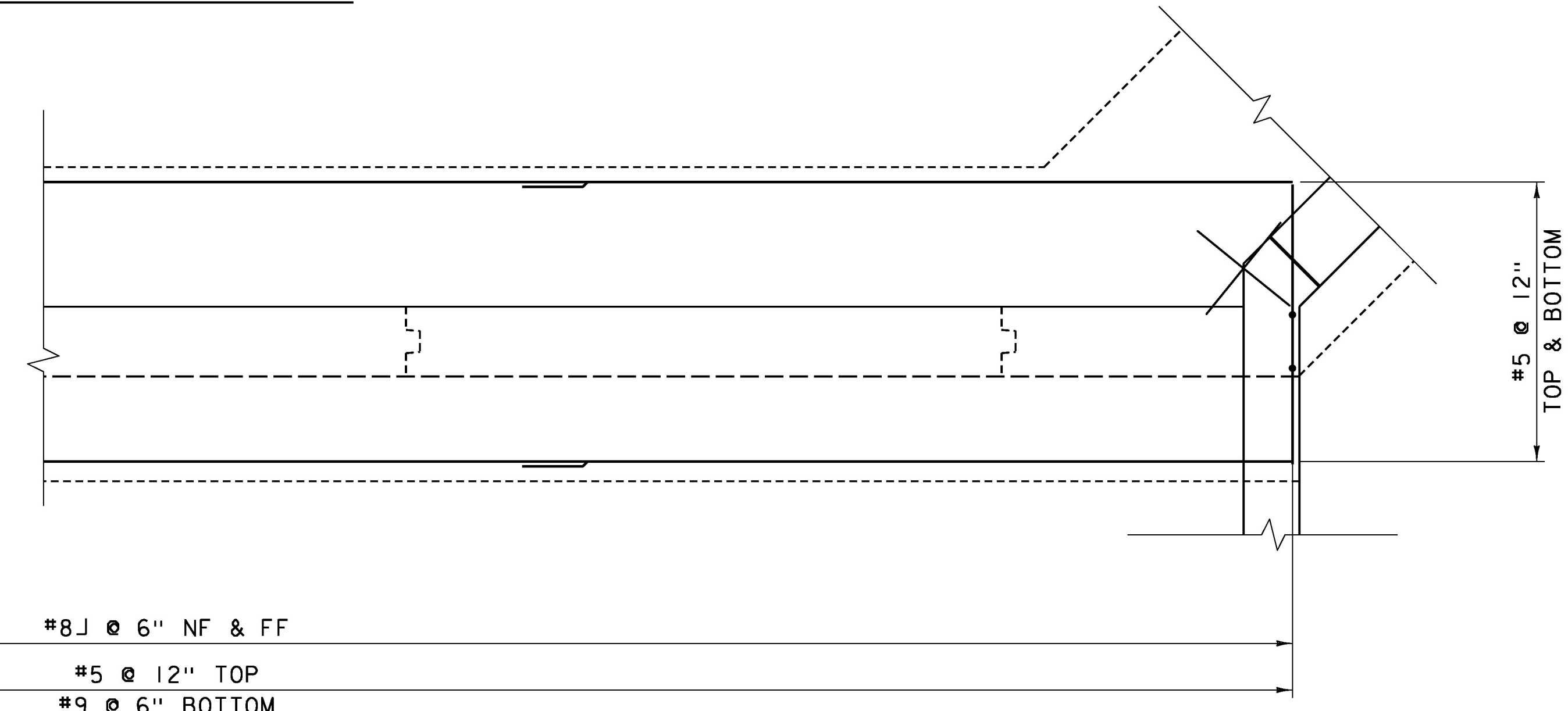
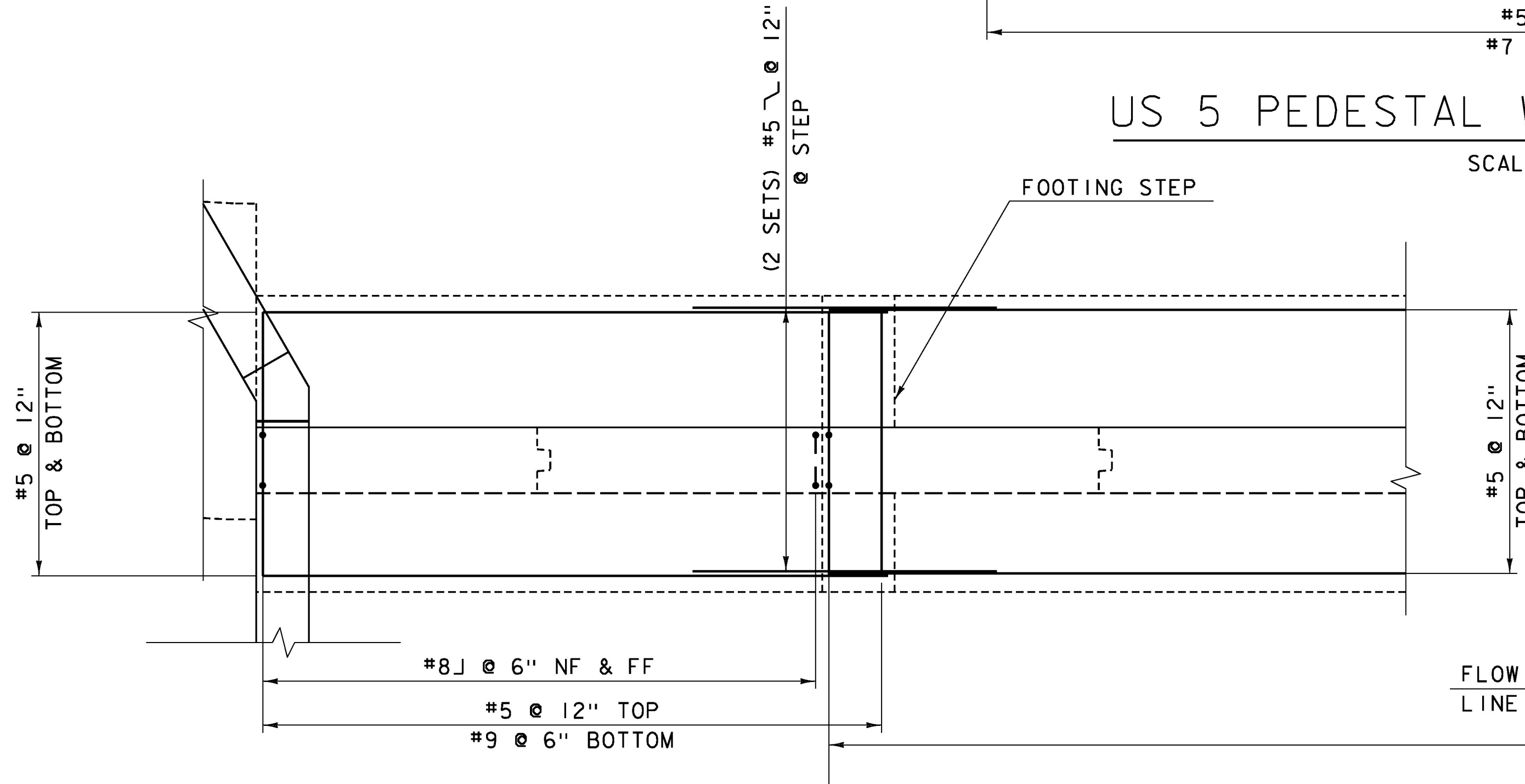


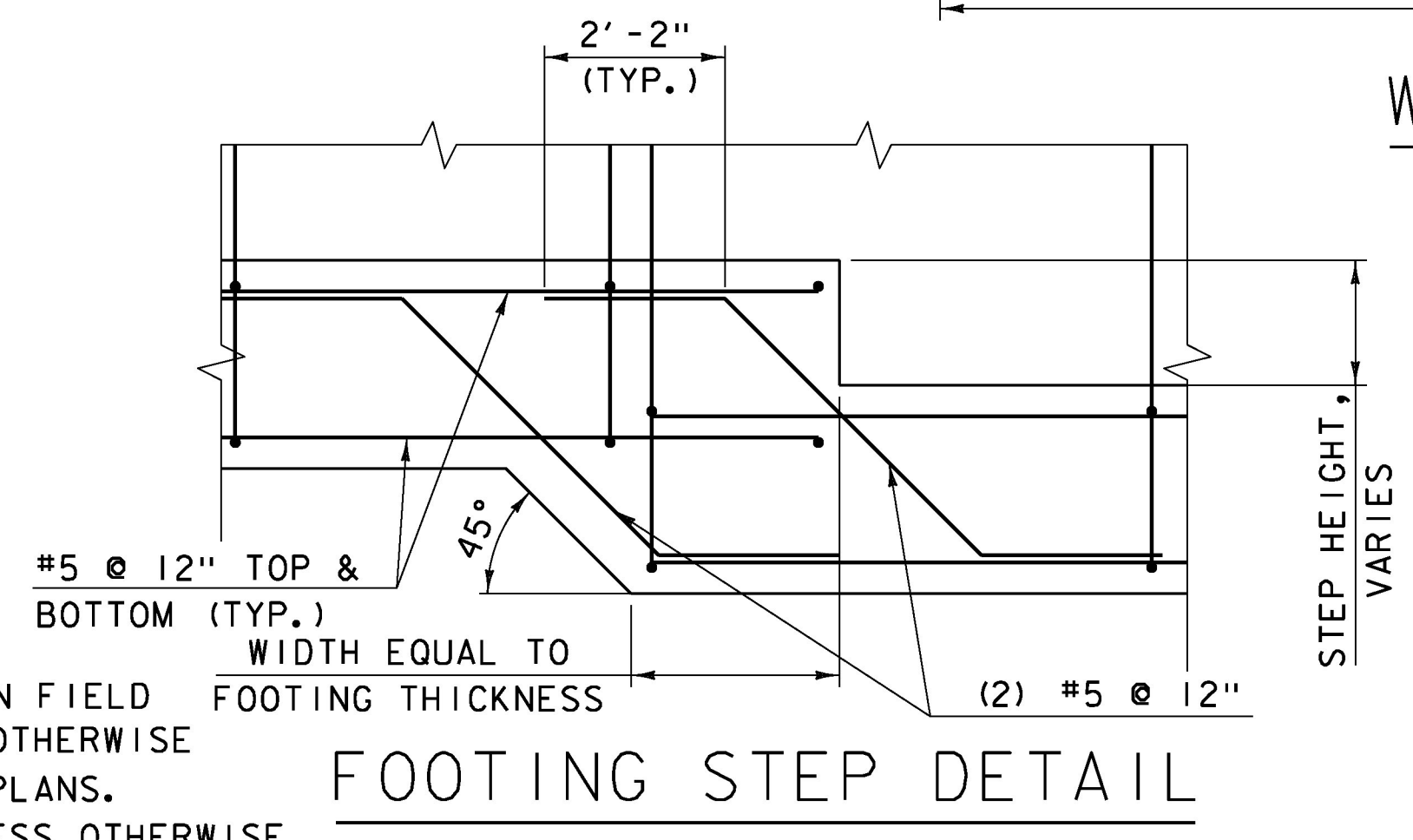
US 5 PEDESTAL WALL - FOOTING PLAN

SCALE 1/4" = 1'-0"



WACR PEDESTAL WALL - FOOTING PLAN

SCALE 1/4" = 1'-0"



NOTE:

NF = NEAR FACE
 FF = FAR FACE
 EF = EACH FACE
 ▲ = CUT TO FIT IN FIELD
 3" CLEAR, UNLESS OTHERWISE SPECIFIED ON THE PLANS.
 2'-2" BAR LAP UNLESS OTHERWISE SPECIFIED ON THE PLANS.

NOTES:

- ONE PEDESTAL WALL FOOTING IS SHOWN FOR US 5 AND WACR, OPPOSING FOOTINGS ARE IDENTICAL.
- WINGWALL AND CHANNEL WALL FOOTING REINFORCING NOT SHOWN FOR CLARITY.

NOT FOR CONSTRUCTION

PROJECT NAME: RYEGATE	PLOT DATE: 3/23/16
PROJECT NUMBER: STP CULV(10)	DRAWN BY: R. BARNES
FILE NAME: z06cl56pedwallfoot.dgn	CHECKED BY: E. DETRICK
DESIGNED BY: R. BARNES	PEDESTAL WALL FOOTING REINFORCING PLAN SHEET 18 OF 36

