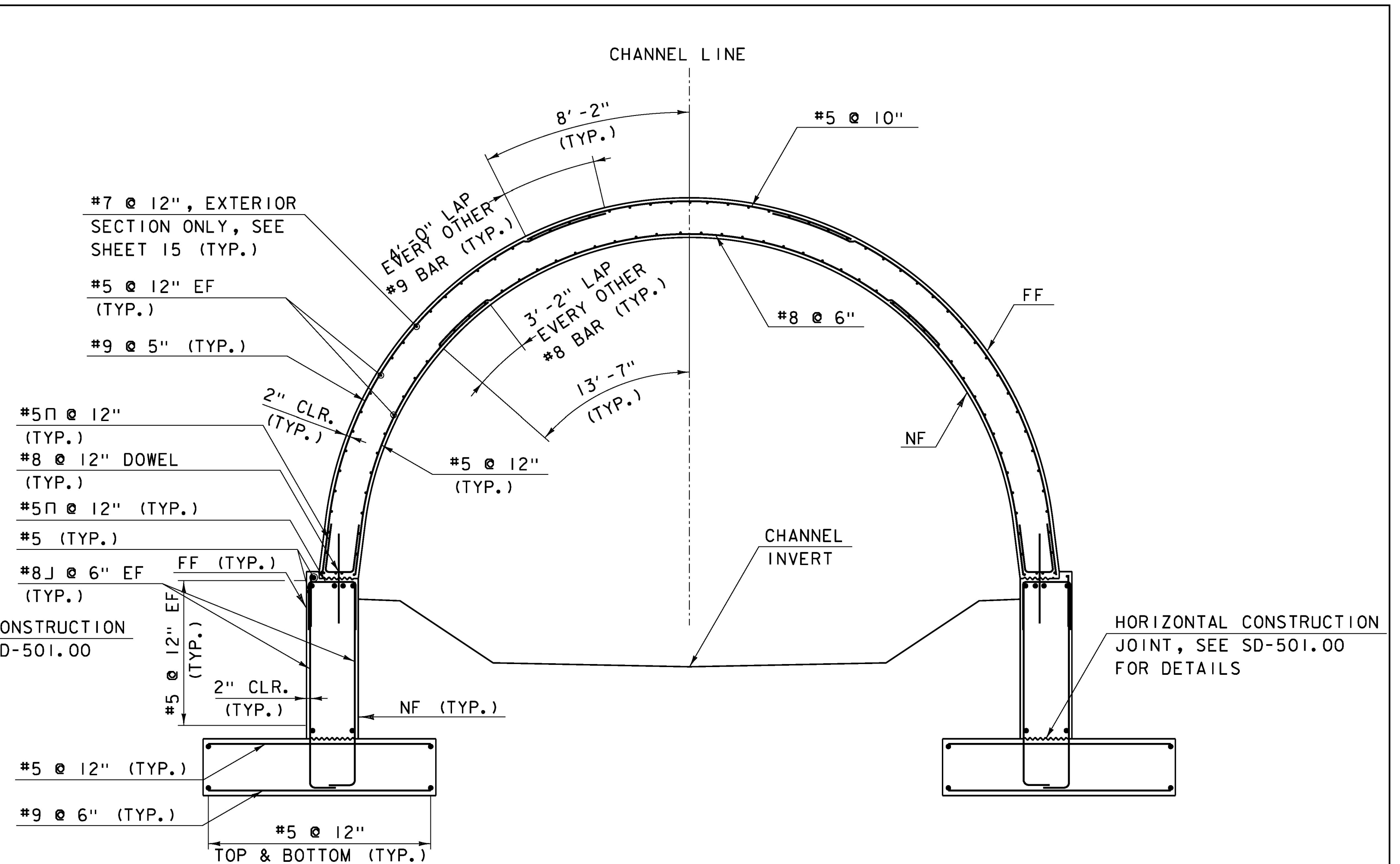
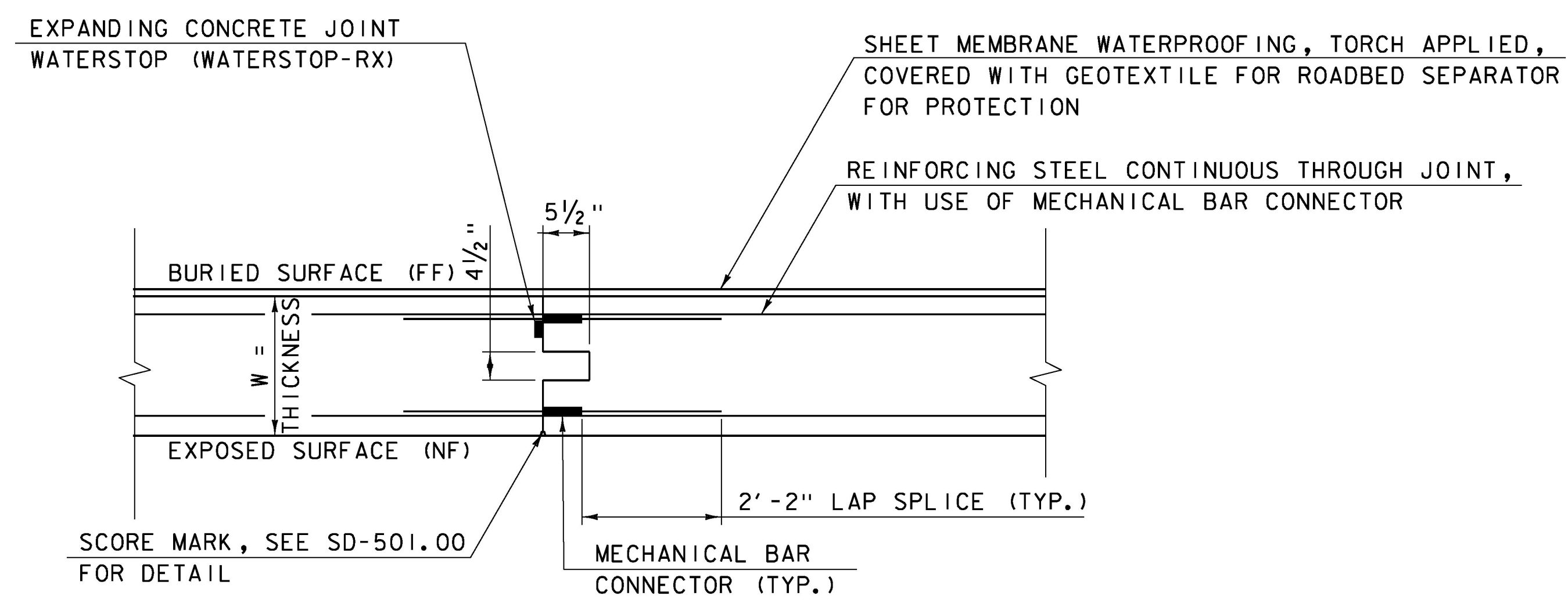


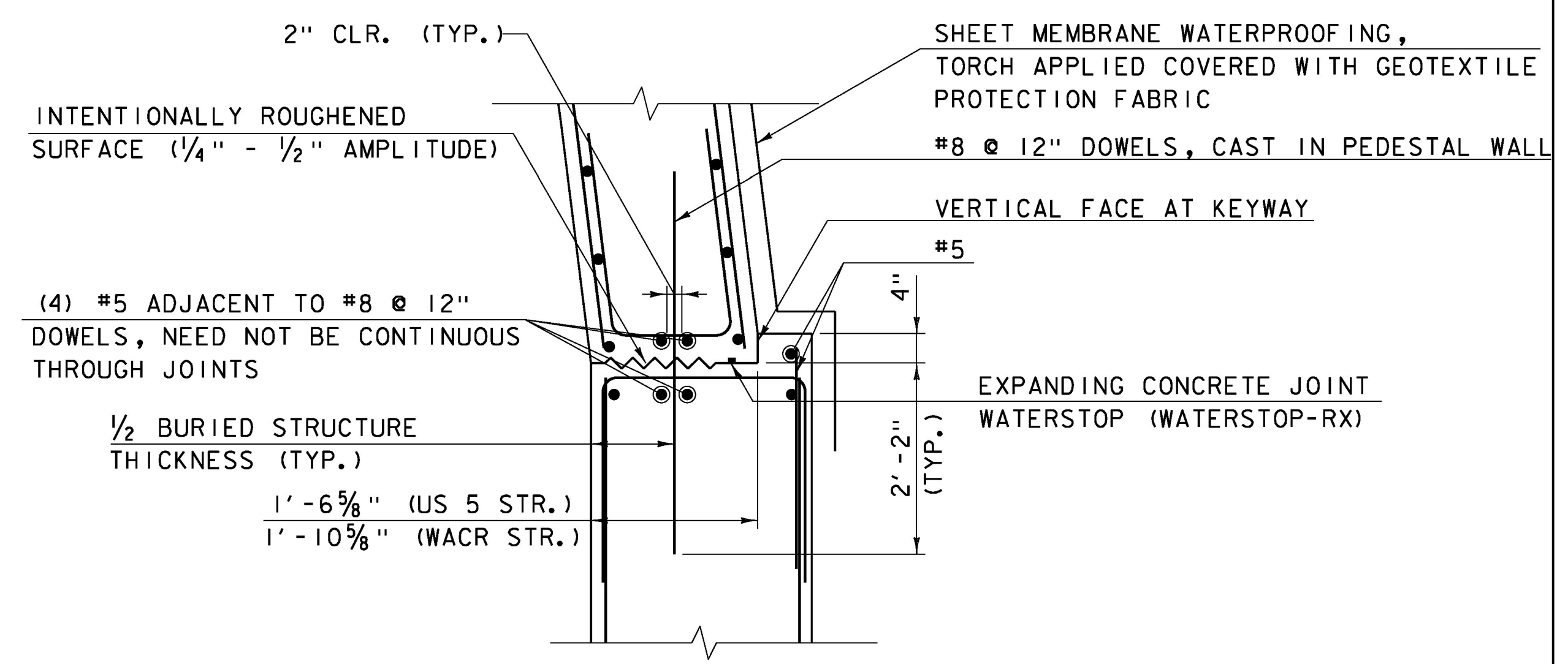
US 5 BURIED STRUCTURE REINFORCING - SECTION
SCALE 1/4" = 1'-0"



WACR BURIED STRUCTURE REINFORCING - SECTION
SCALE 1/4" = 1'-0"



BURIED STRUCTURE CONSTRUCTION JOINT DETAIL
NOT TO SCALE



PEDESTAL WALL/BURIED STRUCTURE JOINT DETAIL
NOT TO SCALE

NOTE:
 NF = NEAR FACE
 FF = FAR FACE
 EF = EACH FACE
 ▲ = CUT TO FIT IN FIELD
 3" CLEAR, UNLESS OTHERWISE SPECIFIED ON THE PLANS.
 2'-2" BAR LAP UNLESS OTHERWISE SPECIFIED ON THE PLANS.

NOTE: REINFORCING STEEL IS SYMMETRICAL ABOUT THE CENTERLINE OF EACH STRUCTURE.



PROJECT NAME:	RYEGATE	FILE NAME:	z06cl56sup.dgn	PLOT DATE:	3/23/16
PROJECT NUMBER:	STP CULV(10)	PROJECT LEADER:	E. DETRICK	DRAWN BY:	R. BARNES
		DESIGNED BY:	R. BARNES	CHECKED BY:	E. DETRICK
		STRUCTURE DETAILS 2 OF 2		SHEET	14 OF 36