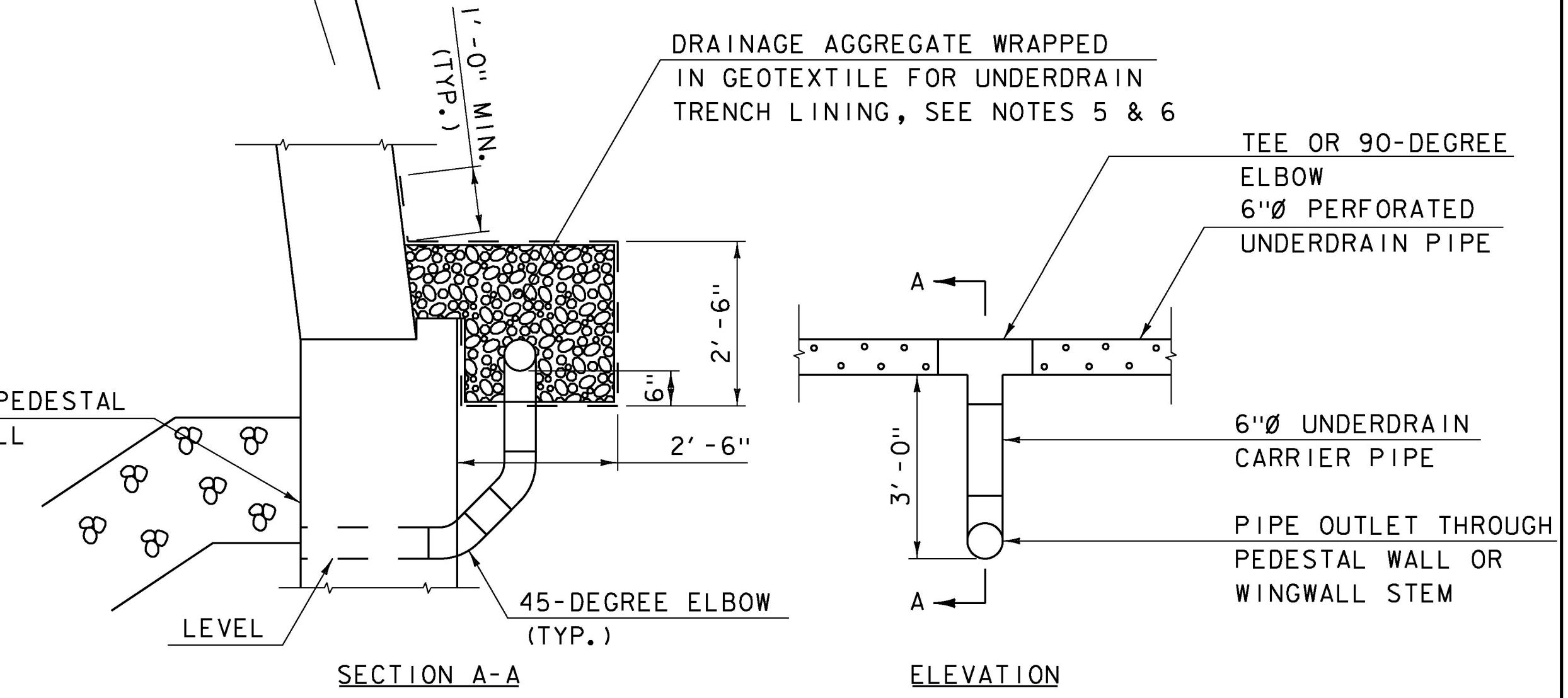


UNDERDRAIN LAYOUT

SCALE 1/16" = 1'-0"

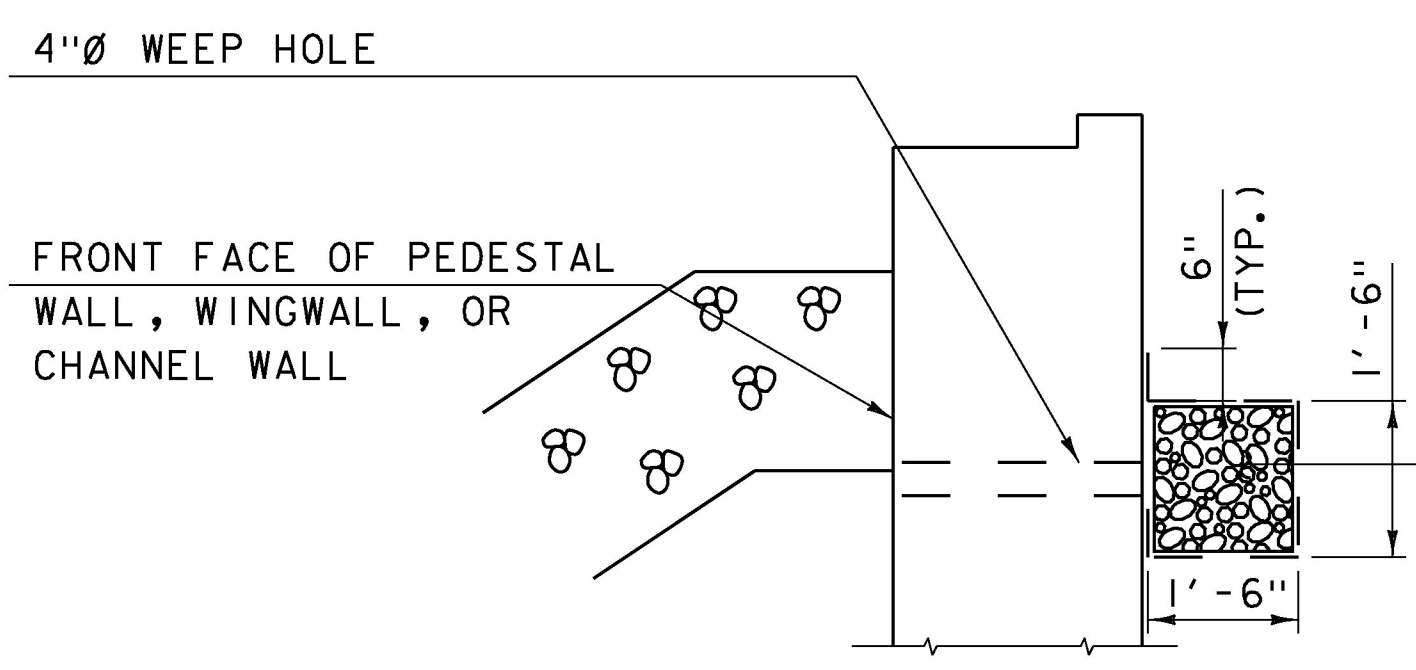
UNDERDRAIN NOTES

1. THE PERFORATED UNDERDRAIN PIPE INVERT WILL BE 6" BELOW THE TOP OF PEDESTAL WALL ELEVATION, AND WILL BE SLOPED TO FOLLOW THE TOP OF PEDESTAL WALL, EXCEPT AT THE DOWNSTREAM END OF THE US 5 BURIED STRUCTURE BETWEEN THE FINAL OUTLET LOCATION AND FLUSHING BASIN, WHERE IT WILL BE SLOPED AT 1.0% TO THE OUTLET LOCATION.
2. SEE VTRANS STD D-30 FOR UNDERDRAIN FLUSHING BASIN CONSTRUCTION DETAIL.
3. UNDERDRAIN CONSTRUCTION WILL MEET THE REQUIREMENTS OF SECTION 605 OF THE SPECIFICATIONS.
4. PERFORATED UNDERDRAIN AND UNDERDRAIN CARRIER PIPE WILL BE SMOOTH WALL, POLYVINYL CHLORIDE (PVC) PLASTIC PIPE, SDR 35, MEETING THE REQUIREMENTS OF SUBSECTION 710.06 OF THE SPECIFICATIONS, OR OTHER APPROVED MATERIAL.
5. GEOTEXTILE FOR UNDERDRAIN TRENCH LINING WILL MEET THE REQUIREMENTS OF SECTION 720, EXCEPT WILL BE 16 OZ. WEIGHT.
6. DRAINAGE AGGREGATE AND GEOTEXTILE WILL CONTINUE 1'-0" MIN. BEYOND END OF PERFORATED UNDERDRAIN PIPE. END OF DRAINAGE AGGREGATE WILL BE WRAPPED IN GEOTEXTILE.



UNDERDRAIN OUTLET DETAIL

NOT TO SCALE



WEEP HOLE DETAIL

(AT ALL WEEP HOLE LOCATIONS)
NOT TO SCALE



PROJECT NAME:	RYEGATE	FILE NAME:	z06cl56bunderdrain.dgn	PLOT DATE:	11/24/2015
PROJECT NUMBER:	STP CULV(10)	PROJECT LEADER:	E. DETRICK	DRAWN BY:	R. BARNES
		DESIGNED BY:	R. BARNES	CHECKED BY:	E. DETRICK
		UNDERDRAIN LAYOUT			SHEET 12 OF 56