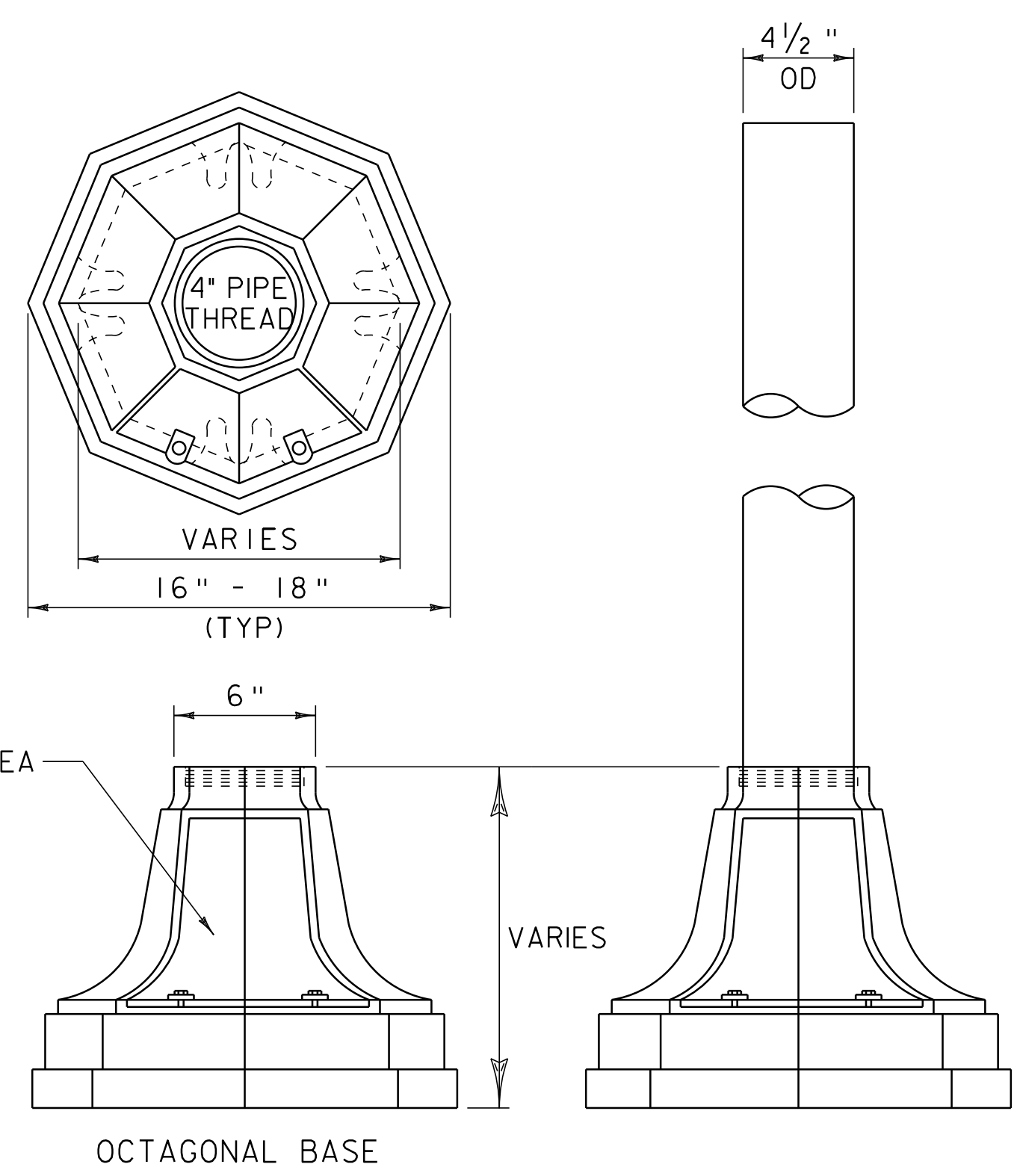
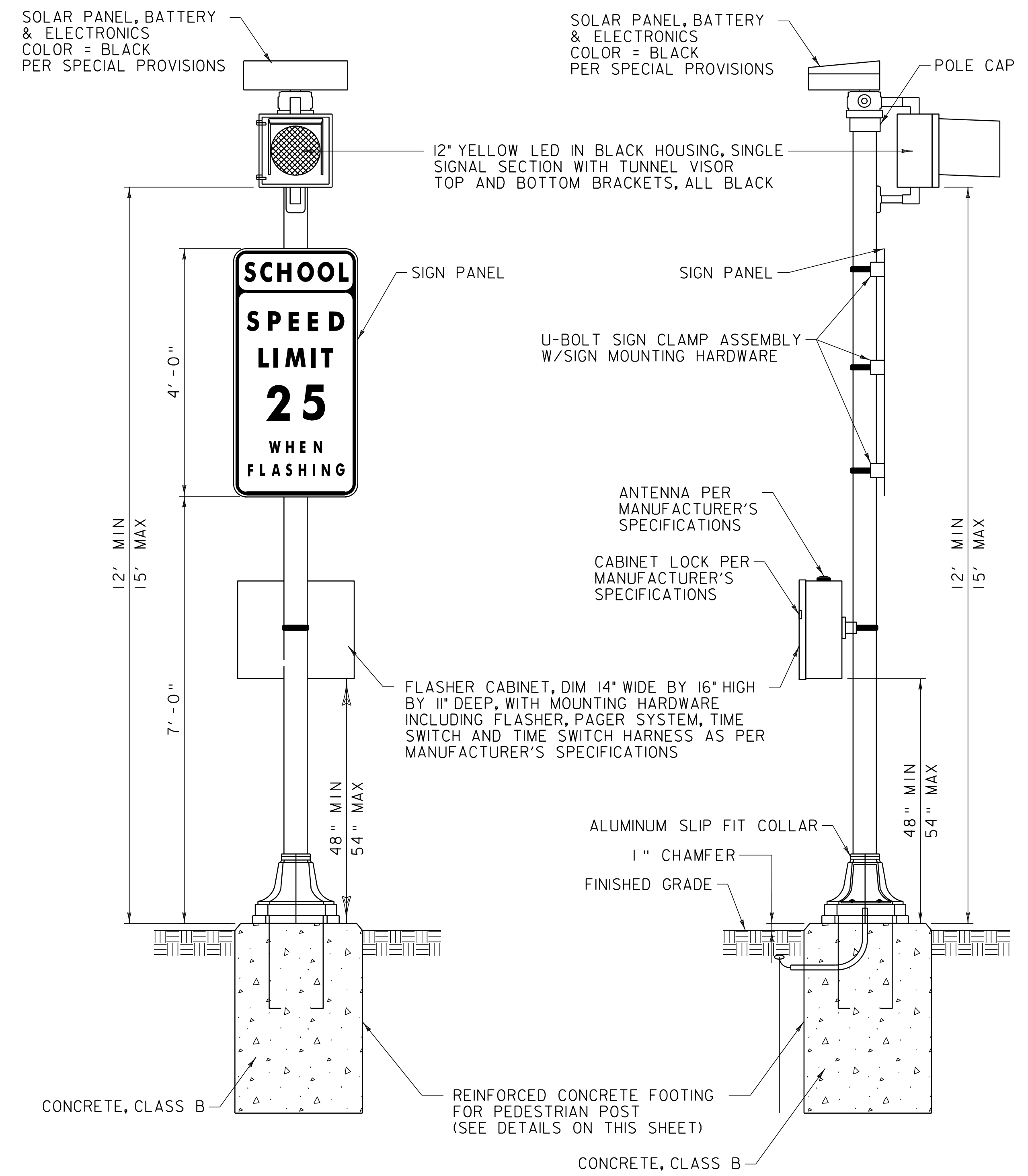


DETAILS OF REINFORCED CONCRETE FOOTING FOR PEDESTAL POST



DETAILS OF PEDESTAL POST AND BASE

NOTES:

1. ALUMINUM POSTS AND BASES SHALL HAVE A SPUN FINISH.
2. ALL WORK SHALL BE PAID FOR UNDER ITEM 900.620 SPECIAL PROVISION (SOLAR-POWERED SCHOOL ZONE FLASHING BEACON) AS DIRECTED BY THE RESIDENT ENGINEER.

NOT TO SCALE

SOLAR SCHOOL FLASHING BEACON DETAILS SHEET	PROJECT NAME: FAIR HAVEN	PLOT DATE: 22-FEB-2012 12:58
	PROJECT NUMBER: STP SRIN (004)	DRAWN BY: C.A.K.
	FILE NAME: p06c058.dgn	CHECKED BY: D.E.G.
	DESIGNED BY: M.J.M.	SHEET 157 OF 157
	IPARM FILE: p06c058ssf.i	