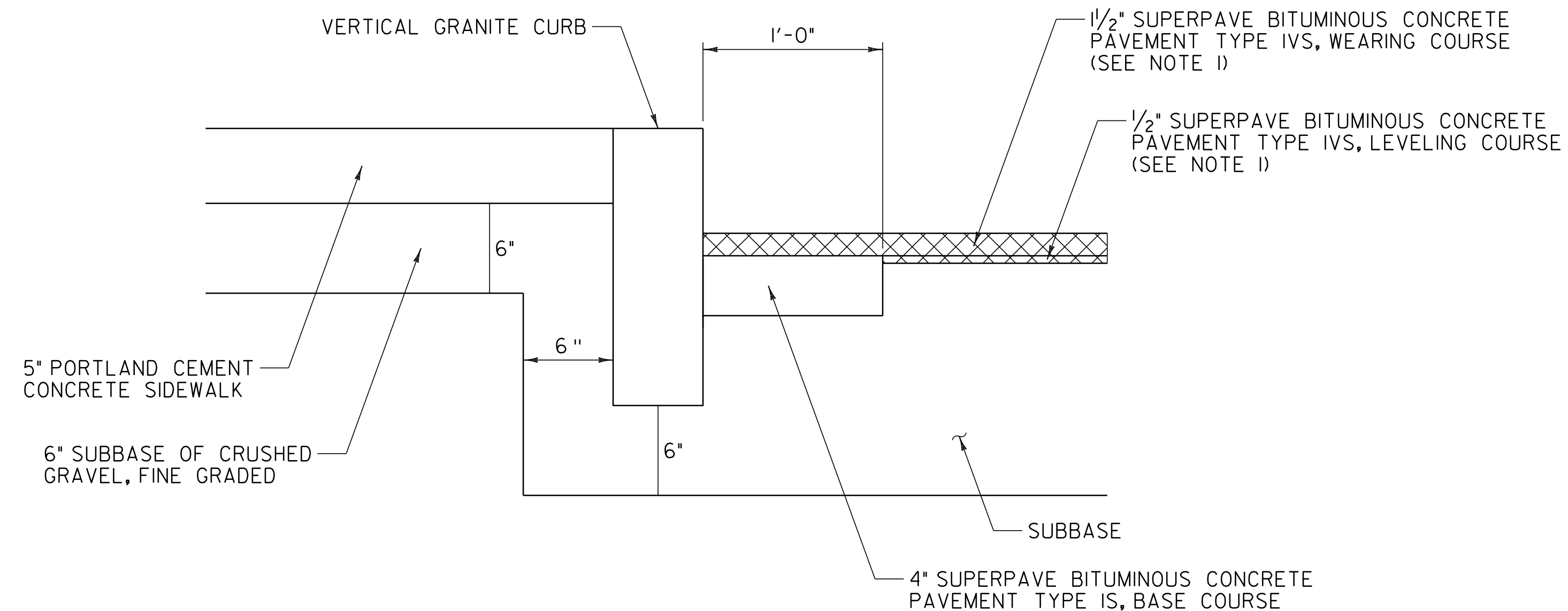
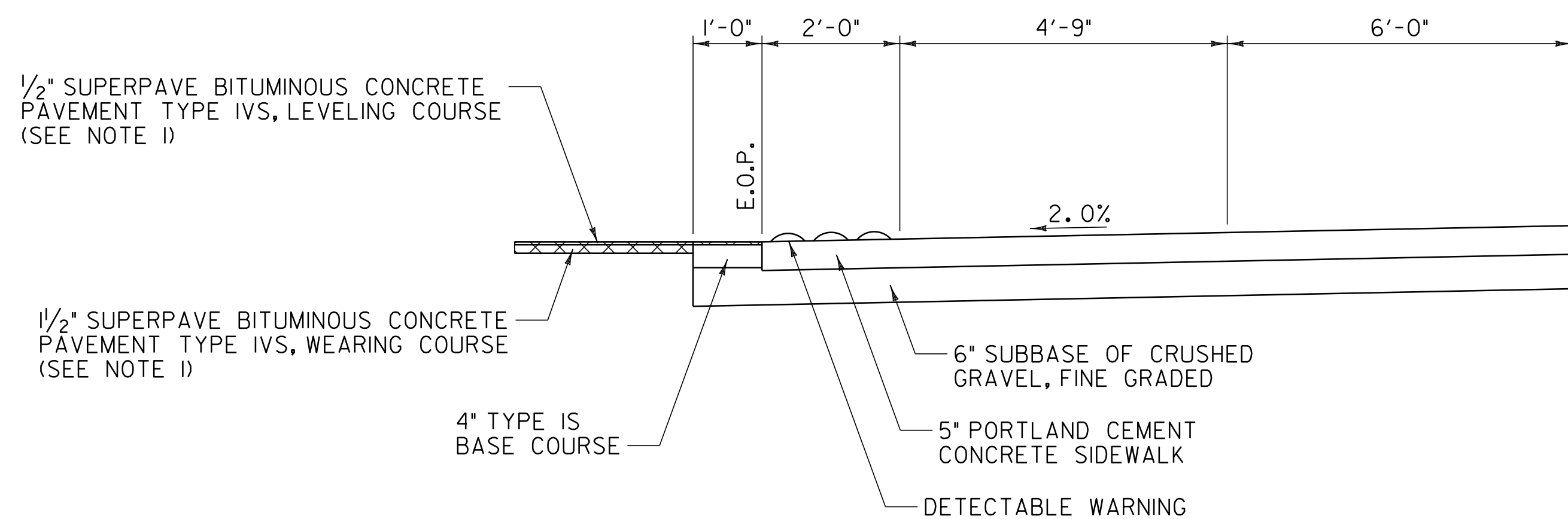


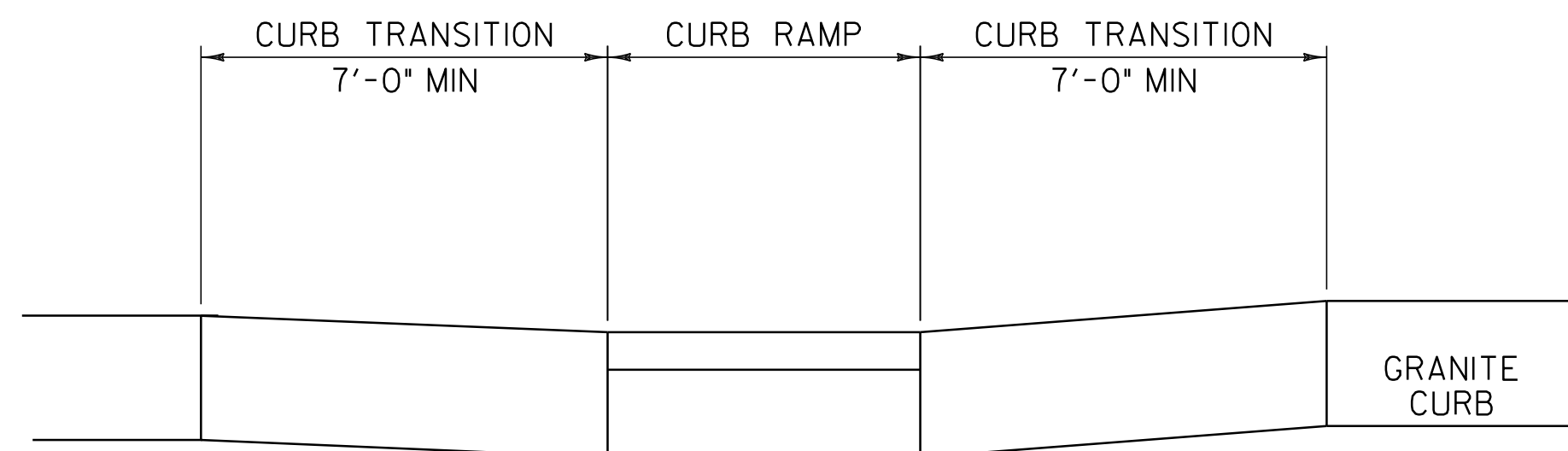
SECTION A-A



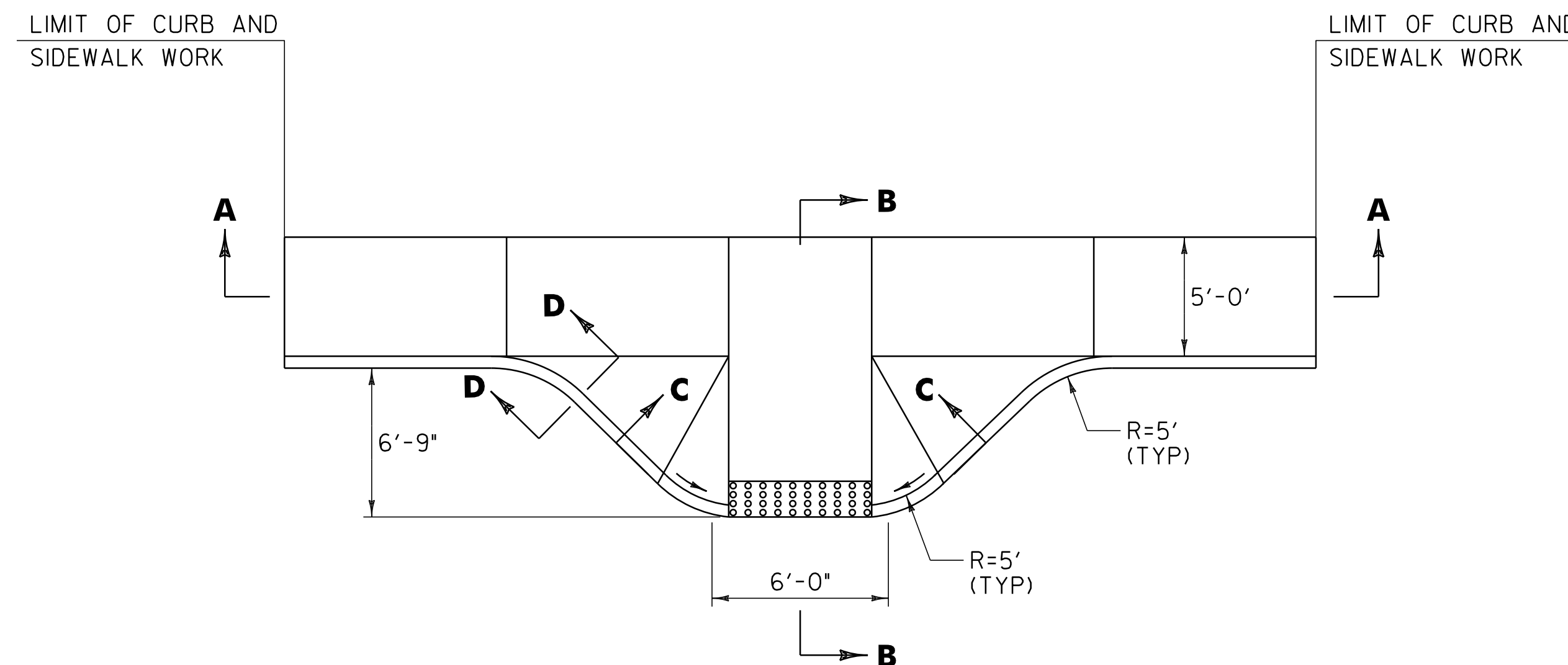
SECTION D-D



SECTION B-B



SECTION C-C



BULB OUT DETAIL

STA 97+75.0 - STA 98+30.0 RT
 STA 97+83.0 - STA 98+30.0 LT

NOTE:

- I. THE CONTRACTOR SHALL COORDINATE THE PLACEMENT OF THE TYPE IVS WEARING COURSE AND TYPE IVS LEVELING COURSE UNDER THE STP 2615(I)S PROJECT WITH THE CONSTRUCTION OF THE BULB OUTS AS DIRECTED BY THE RESIDENT ENGINEER. PAYMENT FOR THE WEARING COURSE AND LEVELING COURSE SHALL BE MADE UNDER THE STP 2615(I)S PROJECT.

BULB OUT DETAIL SHEET	PROJECT NAME: FAIR HAVEN	
	PROJECT NUMBER: STP SRIN (004)	
	FILE NAME: p06c058.dgn	PLOT DATE: 22-FEB-2012 12:58
	PROJECT LEADER: D.E.G.	DRAWN BY: C.A.K.
	DESIGNED BY: M.J.M.	CHECKED BY: D.E.G.
	IPARM FILE: p06c058.i	SHEET 156 OF 157