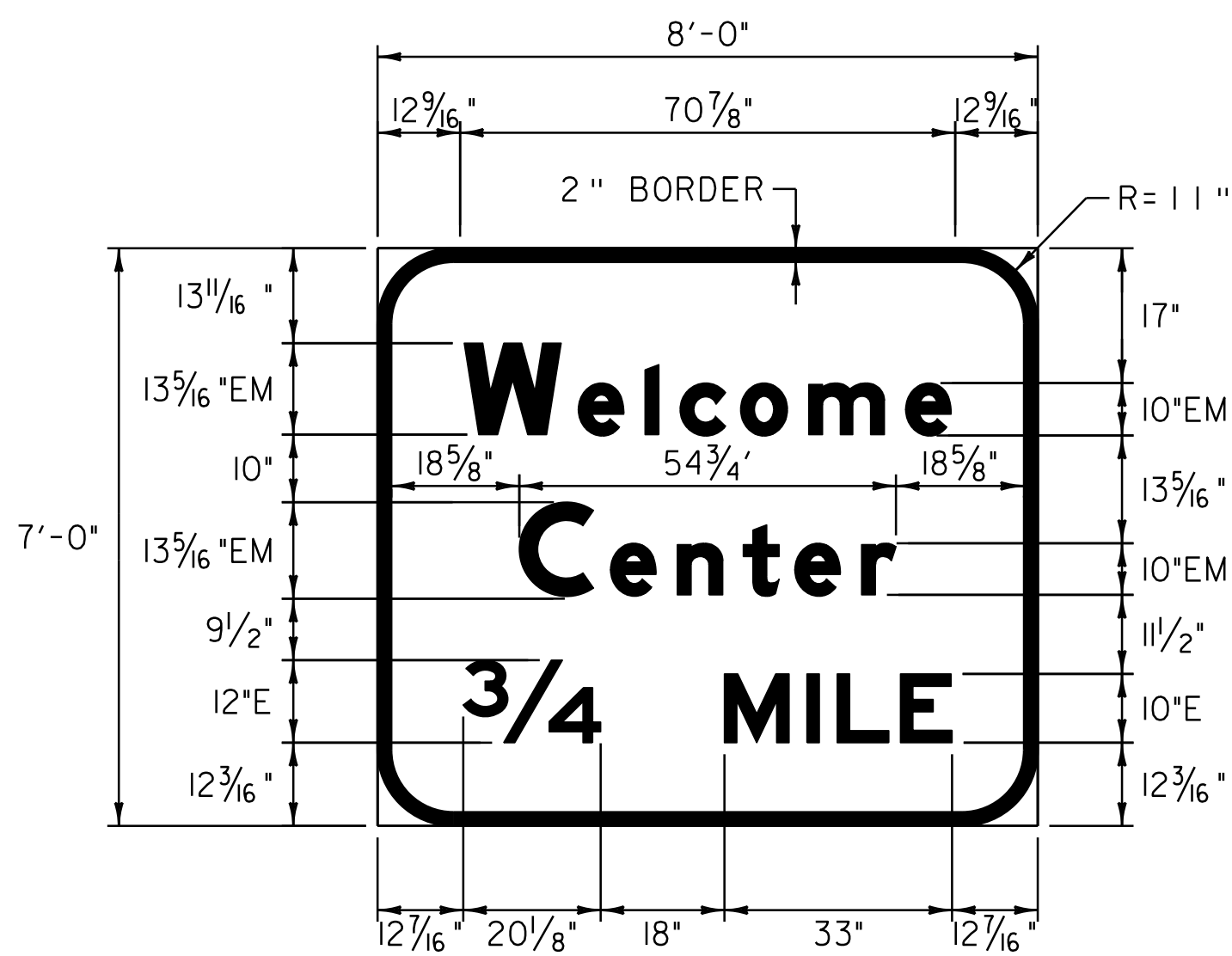


COLOR: WHITE BORDER & TEXT
GREEN BACKGROUND (RETROREFLECTIVE)

MATERIAL: PER VAOT STANDARD E-131

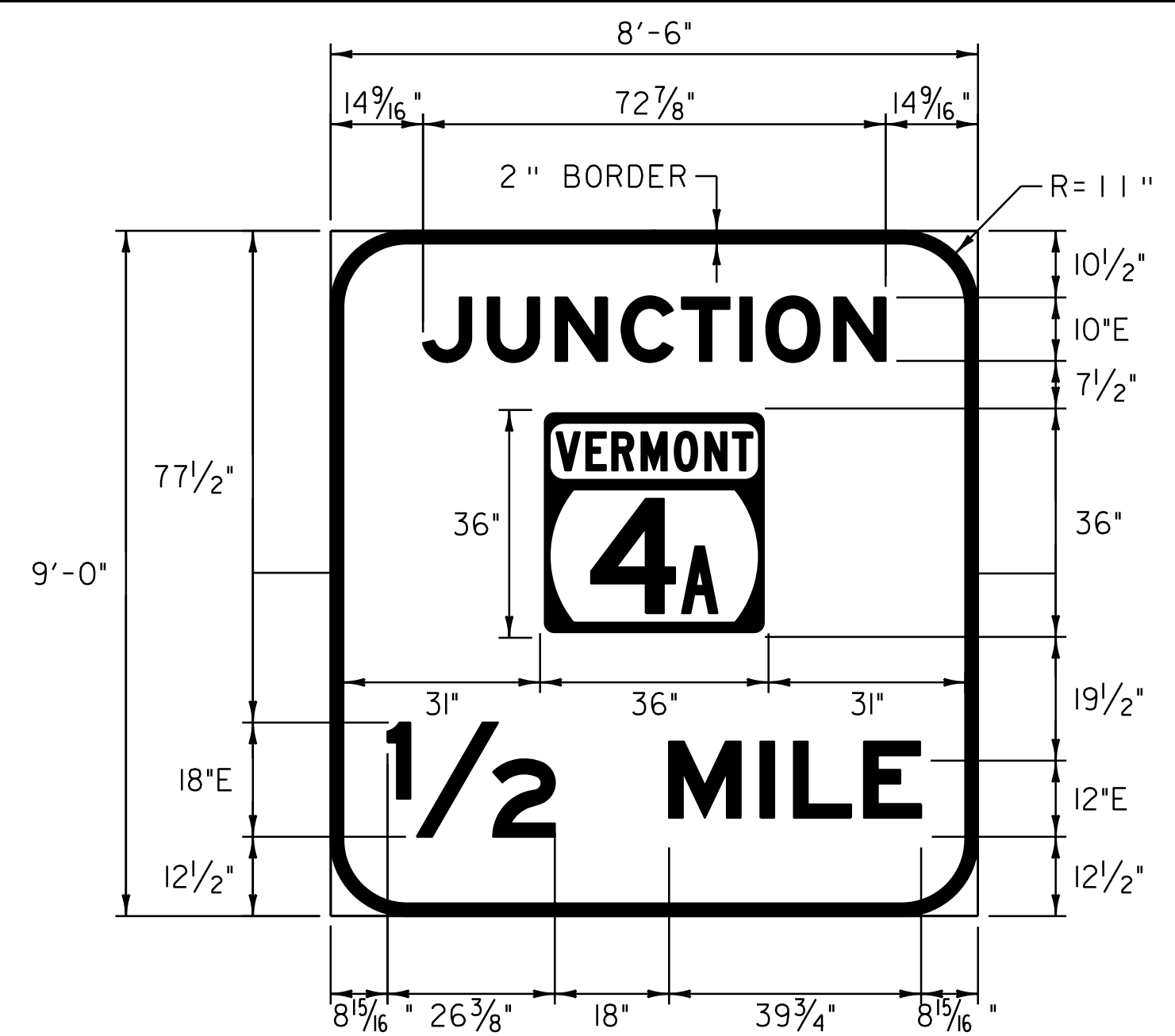
LOCATION: U.S. ROUTE 4
FAIR HAVEN:
STA 62+24.0, LT



COLOR: WHITE BORDER & TEXT (RETROREFLECTIVE)
BLUE BACKGROUND (RETROREFLECTIVE)

MATERIAL: PER VAOT STANDARD E-131

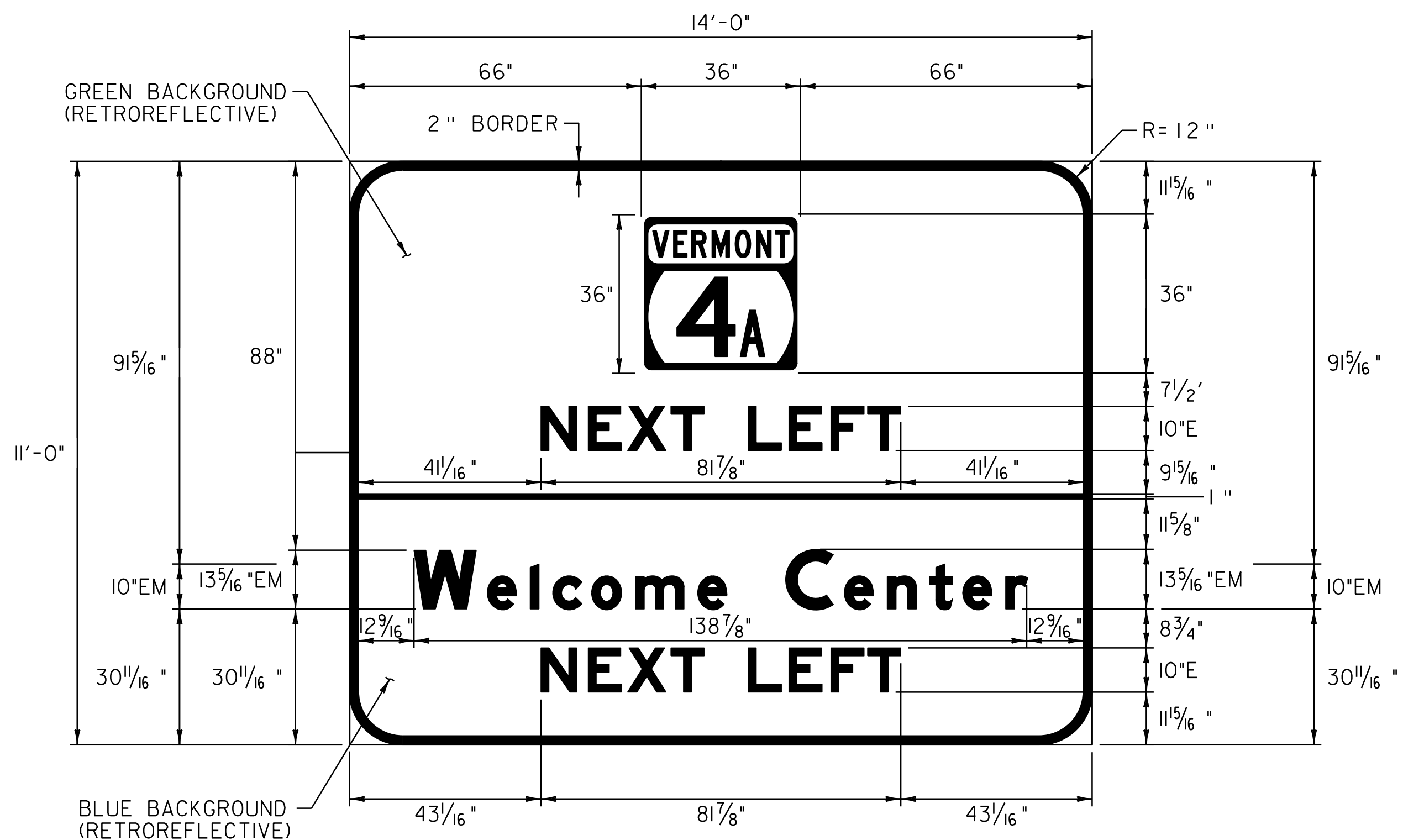
LOCATION: U.S. ROUTE 4
FAIR HAVEN:
STA 42+70.0, LT



COLOR: WHITE BORDER & TEXT
GREEN BACKGROUND (RETROREFLECTIVE)

MATERIAL: PER VAOT STANDARD E-131

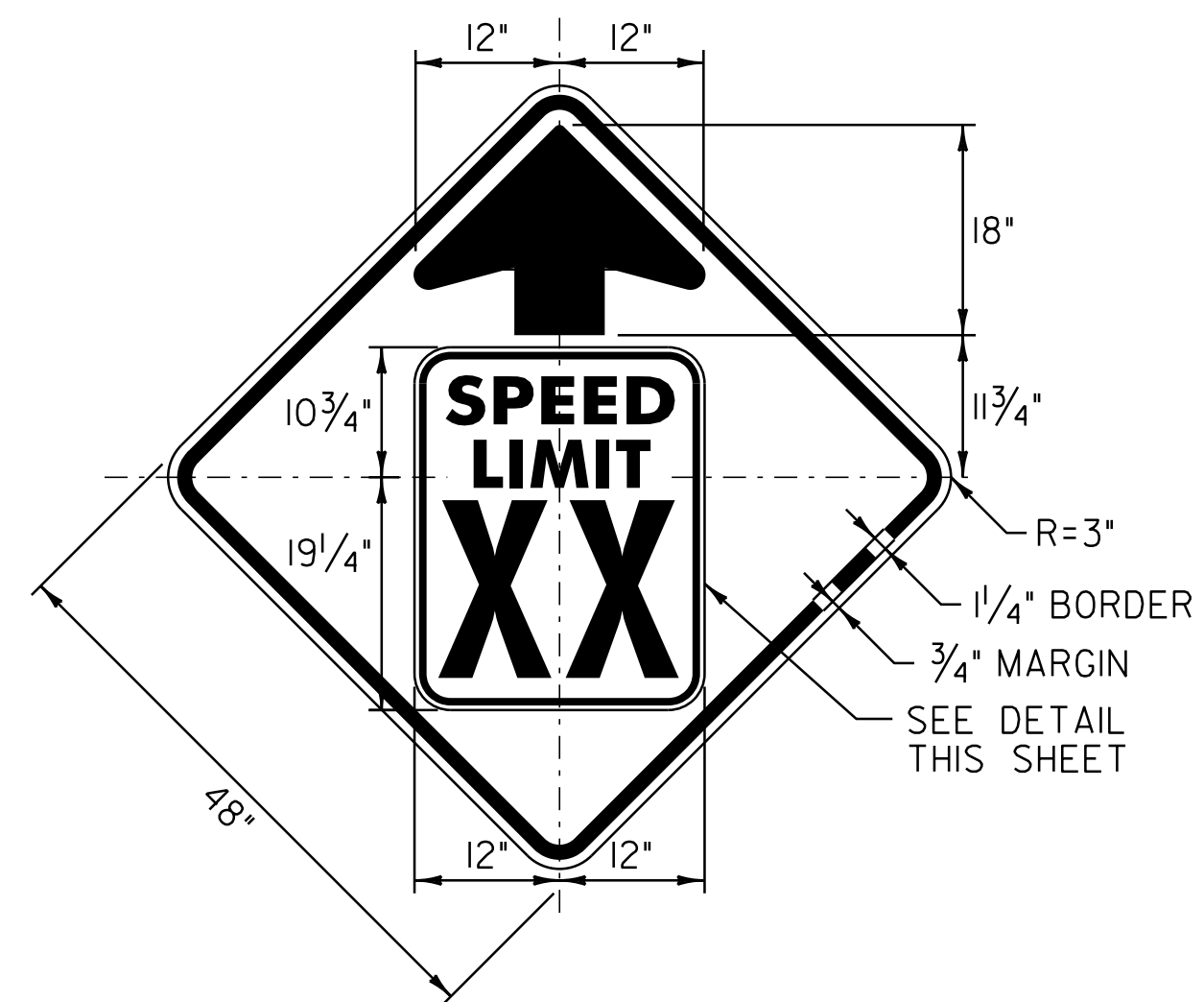
LOCATION: U.S. ROUTE 4
FAIR HAVEN:
STA 34+90.0, LT



COLOR: WHITE BORDER & TEXT (RETROREFLECTIVE)
GREEN BACKGROUND (RETROREFLECTIVE)
BLUE BACKGROUND (RETROREFLECTIVE)

MATERIAL: PER VAOT STANDARD E-131

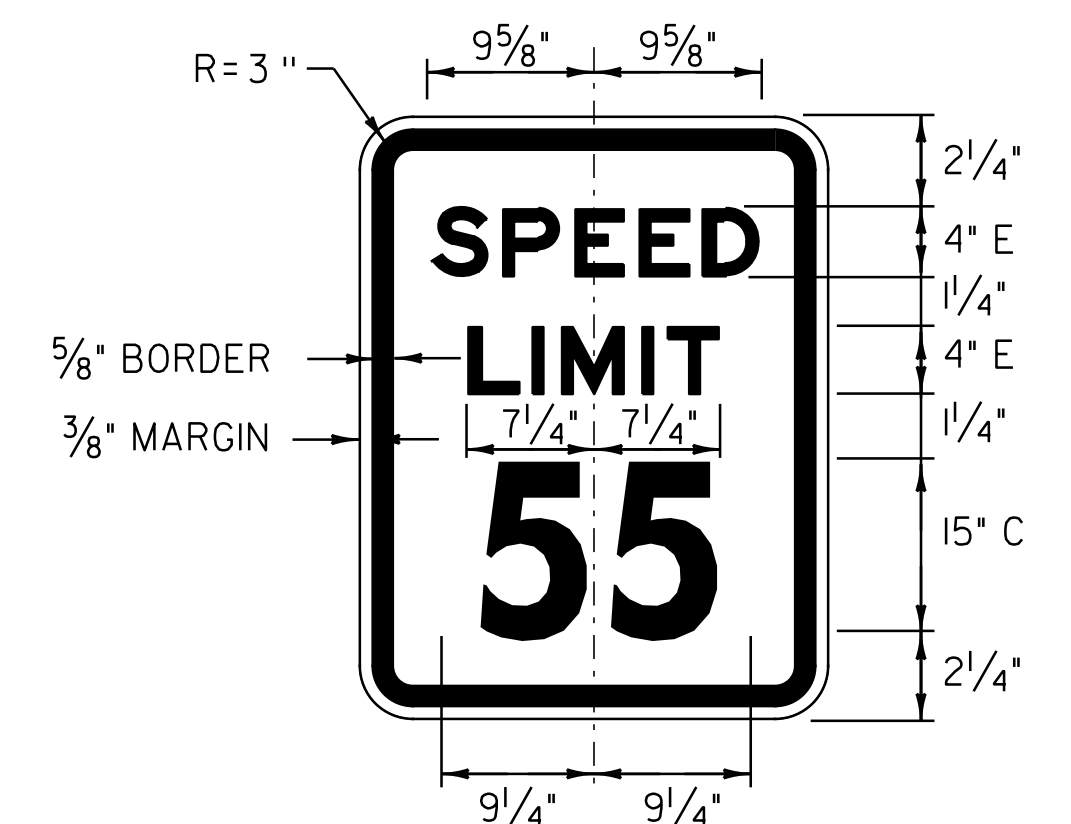
LOCATION: U.S. ROUTE 4
FAIR HAVEN:
STA 14+55.0, LT



COLOR: BLACK BORDER & LEGEND
YELLOW BACKGROUND (RETROREFLECTIVE)

MATERIAL: PER VAOT STANDARD E-151

LOCATIONS: U.S. ROUTE 4
FAIR HAVEN:
STA 45+93.0, LT
STA 45+93.0, RT



COLOR: BLACK BORDER & TEXT
WHITE BACKGROUND (RETROREFLECTIVE)

NOT TO SCALE

**TRAFFIC
SIGN
DETAIL
SHEET**

PROJECT NAME: FAIR HAVEN

PROJECT NUMBER: NH HES 020-K(21)

FILE NAME: 08b234.dgn

PROJECT LEADER: D.E.G.

DESIGNED BY: M.J.M.

DWG. NO. 08b234<+sd01>>.i

PLOT DATE: 22-FEB-2012 12:57

DRAWN BY: C.A.K.

CHECKED BY: D.E.G.

SHEET 143 OF 157