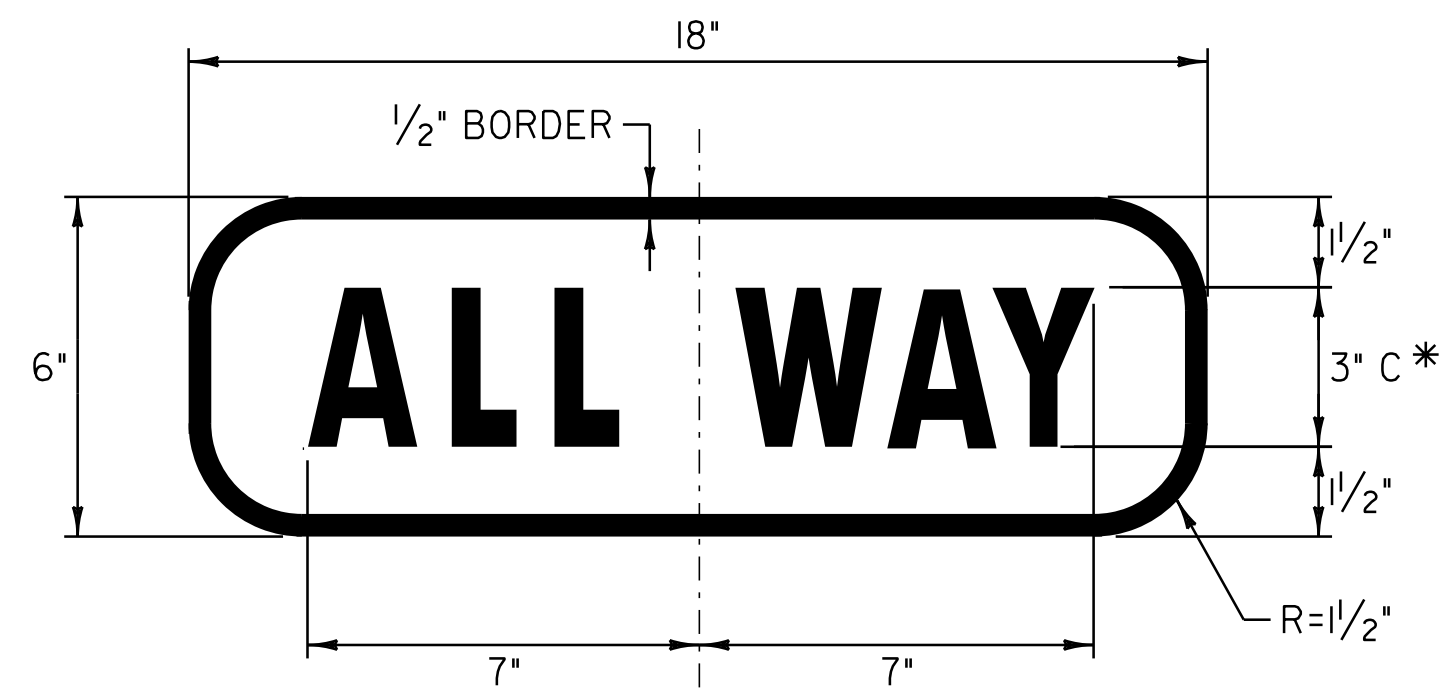


COLOR: BLACK BORDER & TEXT
YELLOW BACKGROUND (RETROREFLECTIVE)

MATERIAL: PER VAOT STANDARD E-151

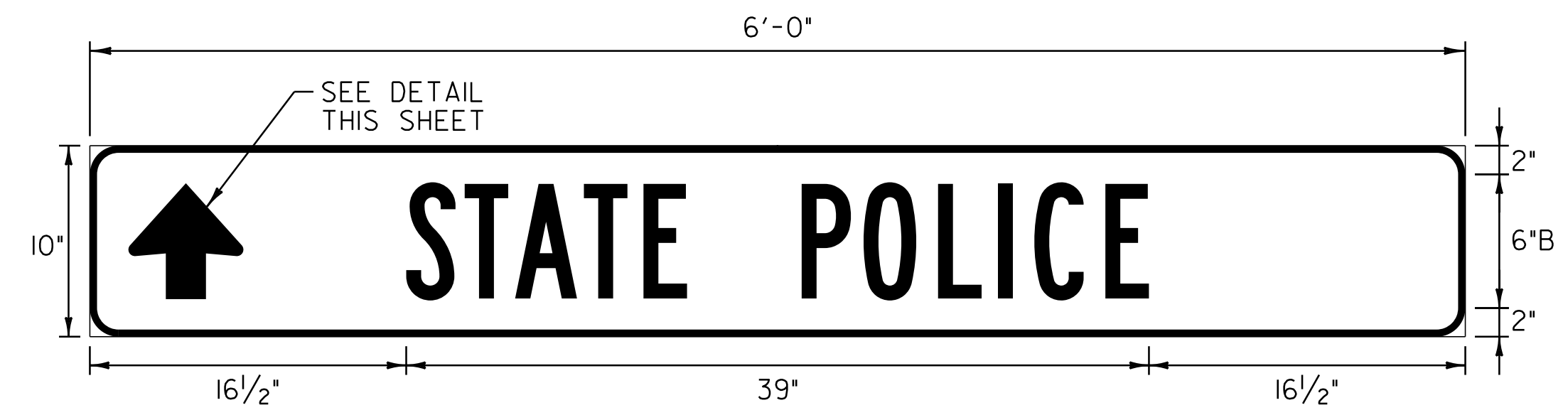
LOCATION: VT. ROUTE 4A
CASTLETON:
STA 29+33.0, LT



COLOR: WHITE BORDER & TEXT (RETROREFLECTIVE)
RED BACKGROUND (RETROREFLECTIVE)

MATERIAL: PER VAOT STANDARD E-143

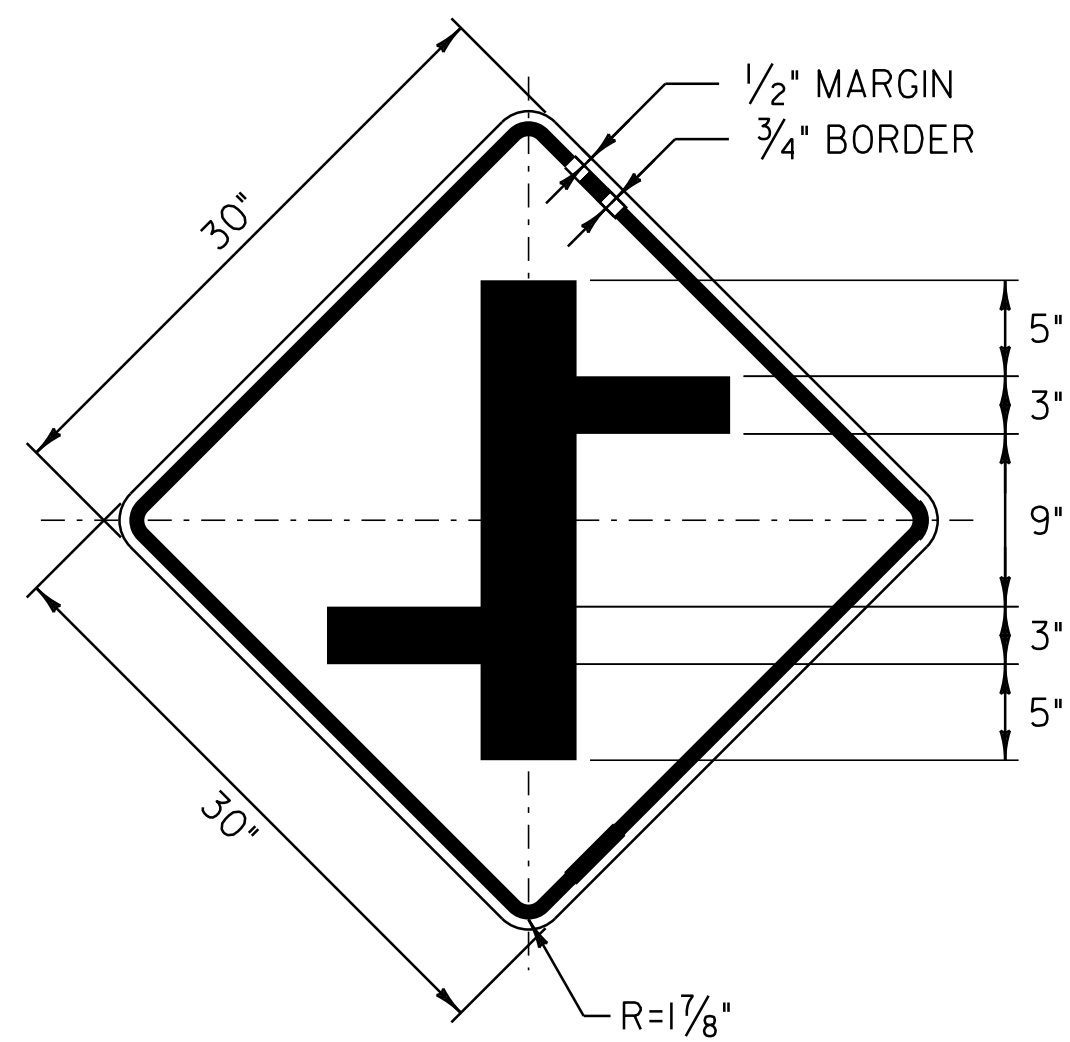
LOCATION: FAIR HAVEN STATE HIGHWAY:
STA 0+30.0, LT
STA 1+00.0, LT



COLOR: WHITE BORDER & TEXT (RETROREFLECTIVE)
BLUE BACKGROUND (RETROREFLECTIVE)

MATERIAL: PER VAOT STANDARD E-131

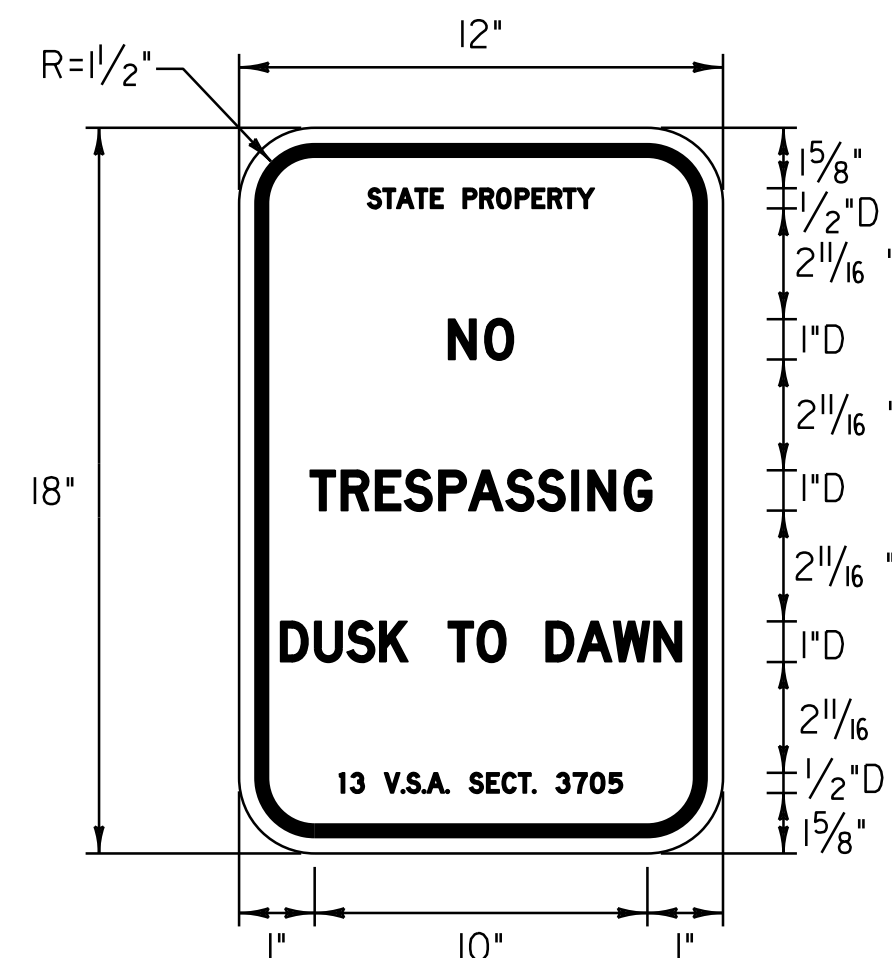
LOCATION: VT. ROUTE 4A
CASTLETON:
STA 86+45.0, RT
STA 101+47.0, LT



COLOR: BLACK BORDER & LEGEND
YELLOW BACKGROUND (RETROREFLECTIVE)

MATERIAL: PER VAOT STANDARD E-151

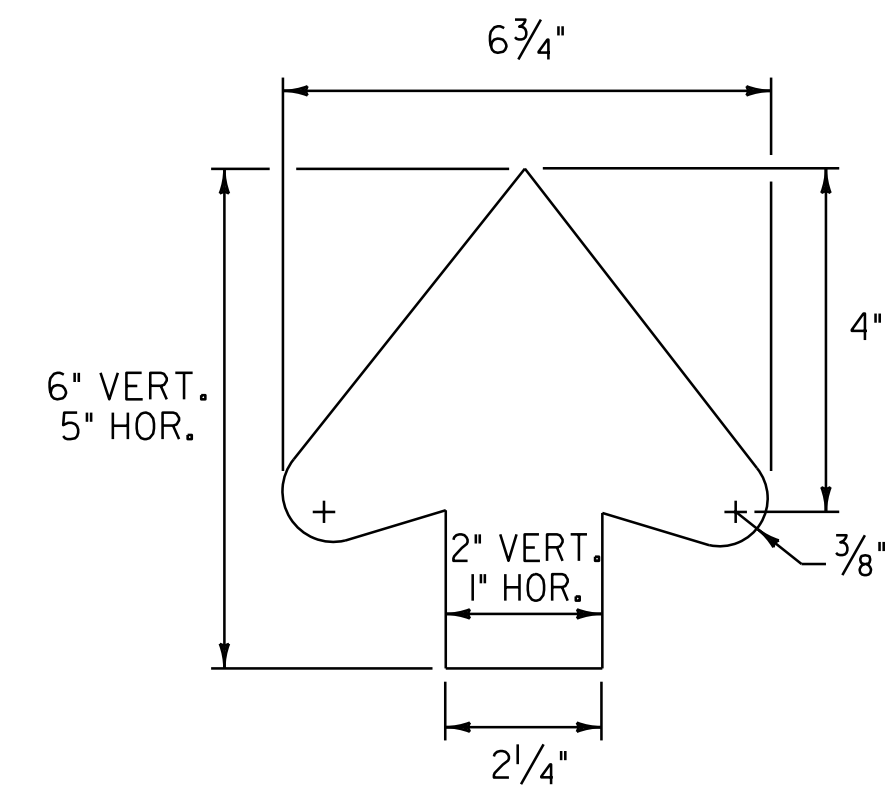
LOCATION: VT. ROUTE 4A
CASTLETON:
STA 20+44.0, RT



COLOR: BLACK BORDER & TEXT
WHITE BACKGROUND (RETROREFLECTIVE)

MATERIAL: PER VAOT STANDARD E-142

LOCATION: VT. ROUTE 4A
FAIR HAVEN:
STA W1+13.0, LT



ARROW DIMENSIONS

NOT TO SCALE

TRAFFIC SIGN DETAIL SHEET #2	PROJECT NAME: FAIR HAVEN - CASTLETON	
	PROJECT NUMBER: STP HES 2614(1)S	
	FILE NAME: p06c058.dgn	PLOT DATE: 22-FEB-2012 12:51
	PROJECT LEADER: D.E.G.	DRAWN BY: C.A.K.
DESIGNED BY: M.J.M.	CHECKED BY: D.E.G.	
IPARM FILE: p06c058+sd.i	SHEET 71 OF 157	