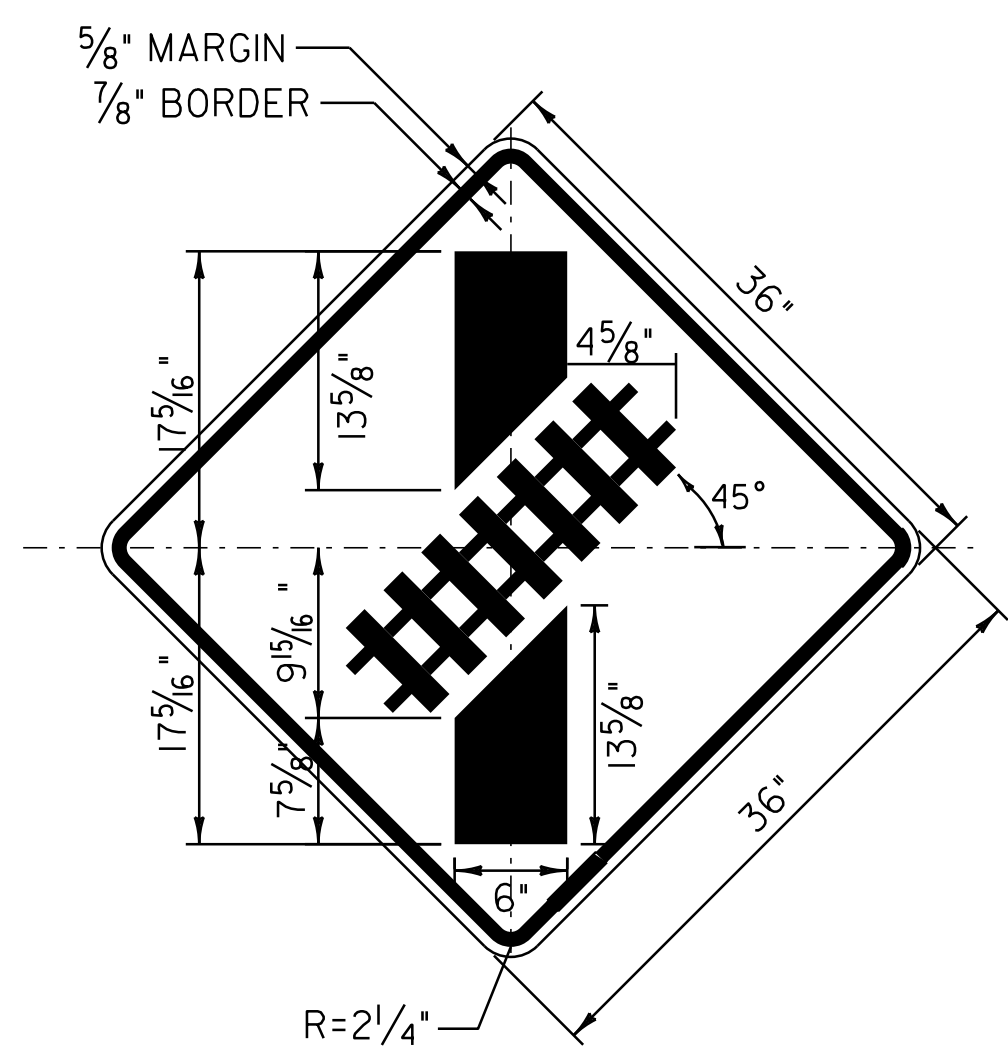


COLOR: BLACK BORDER & TEXT
WHITE BACKGROUND (RETROREFLECTIVE)

MATERIAL: PER VAOT STANDARD E-151

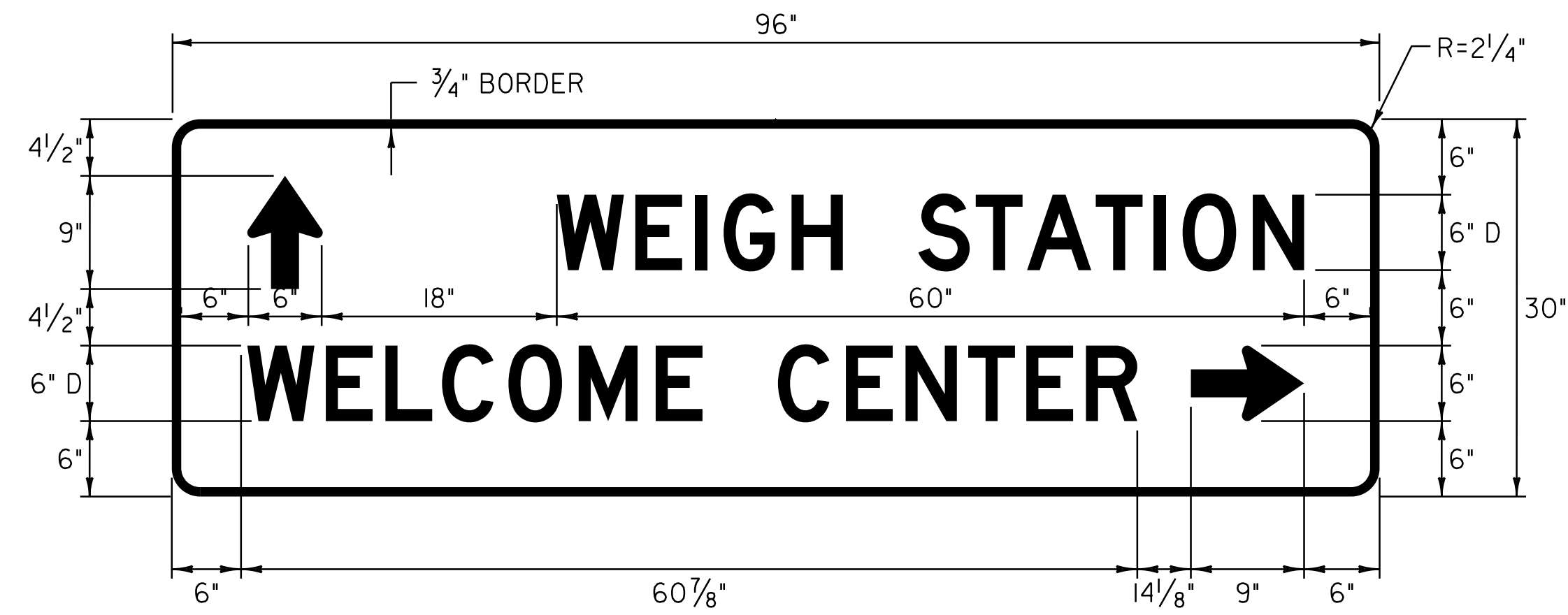
LOCATION: VT. ROUTE 4A
FAIR HAVEN:
STA 11+94.0, RT



COLOR: BLACK BORDER & TEXT
YELLOW BACKGROUND (RETROREFLECTIVE)

MATERIAL: PER VAOT STANDARD E-151

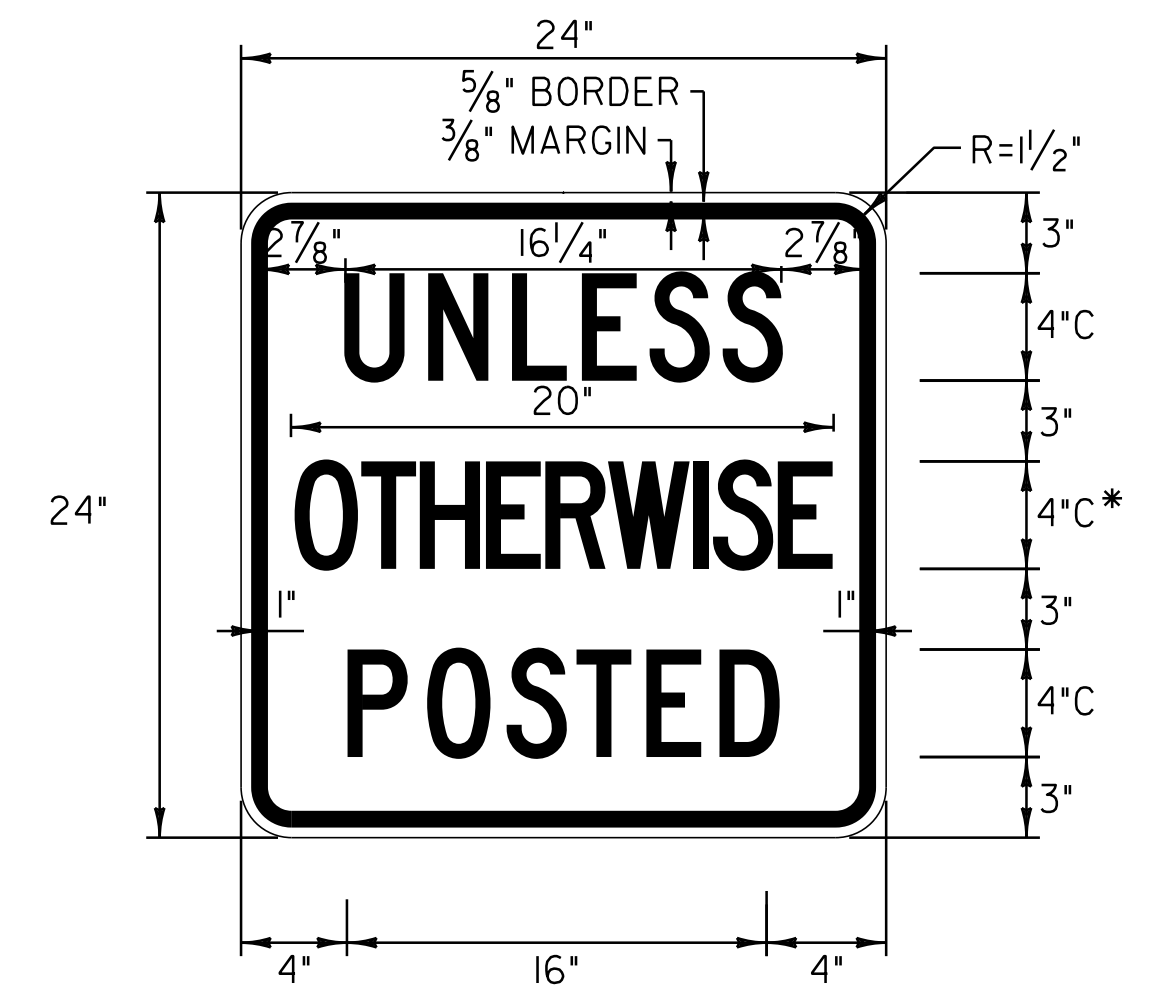
LOCATION: VT. ROUTE 4A
FAIR HAVEN:
STA 37+45.5, RT
STA 43+97.5, LT



COLOR: WHITE BORDER & TEXT (RETROREFLECTIVE)
GREEN BACKGROUND (RETROREFLECTIVE)

MATERIAL: PER VAOT STANDARD E-123

LOCATION: VT. ROUTE 4A
FAIR HAVEN:
STA 7+10.0, RT

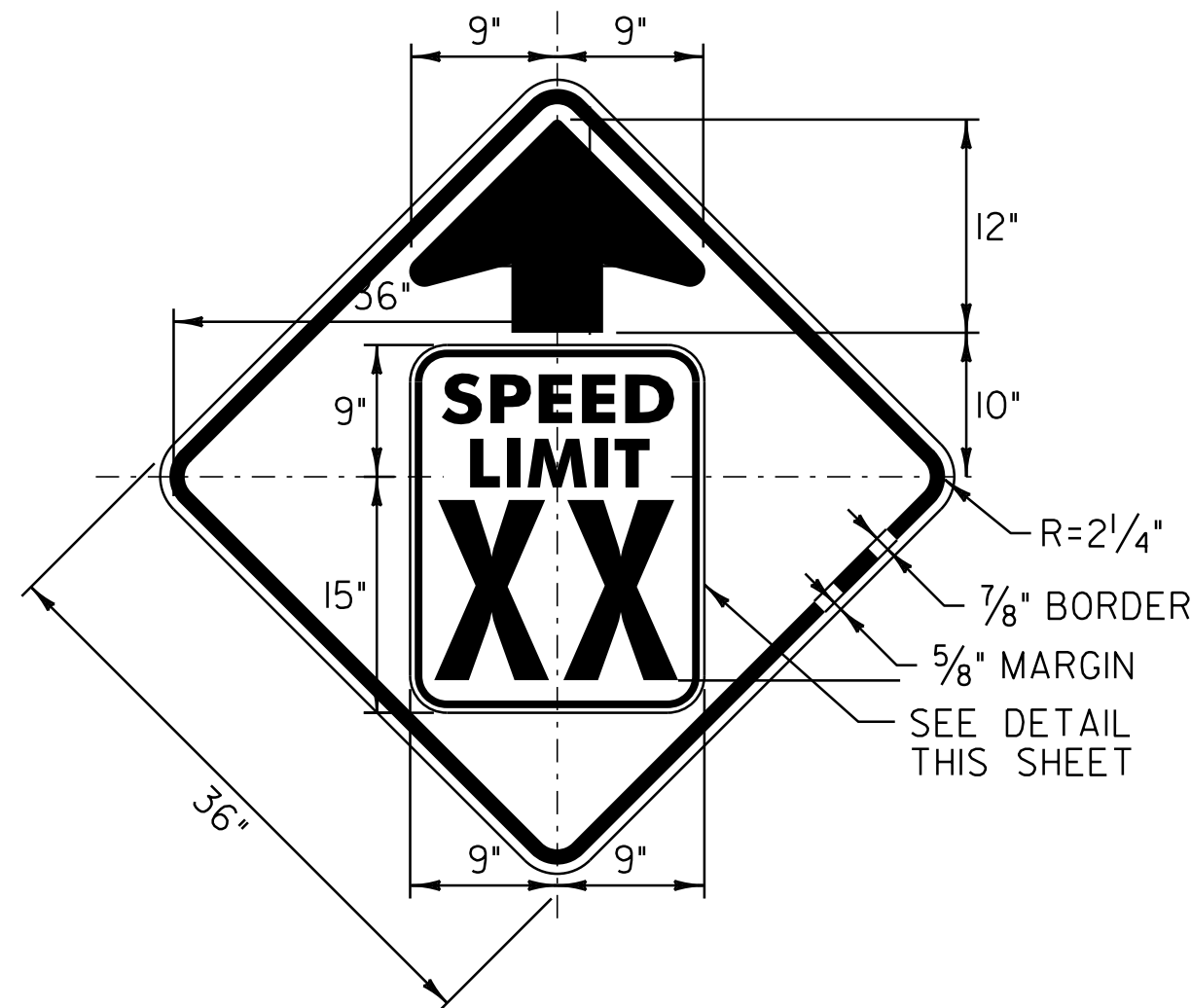


* LETTERING USED WITH 25% SPACING

COLOR: BLACK BORDER & TEXT
WHITE BACKGROUND (RETROREFLECTIVE)

MATERIAL: PER VAOT STANDARD E-151

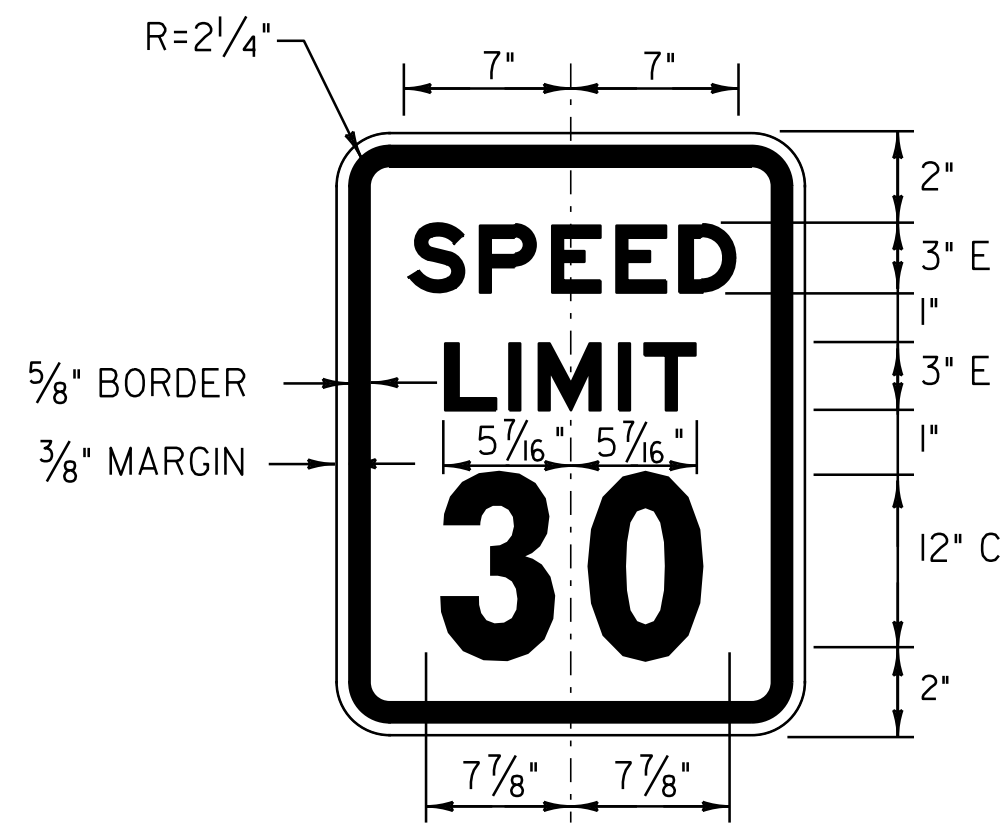
LOCATION: VT. ROUTE 4A
FAIR HAVEN:
STA 3+20.0, RT



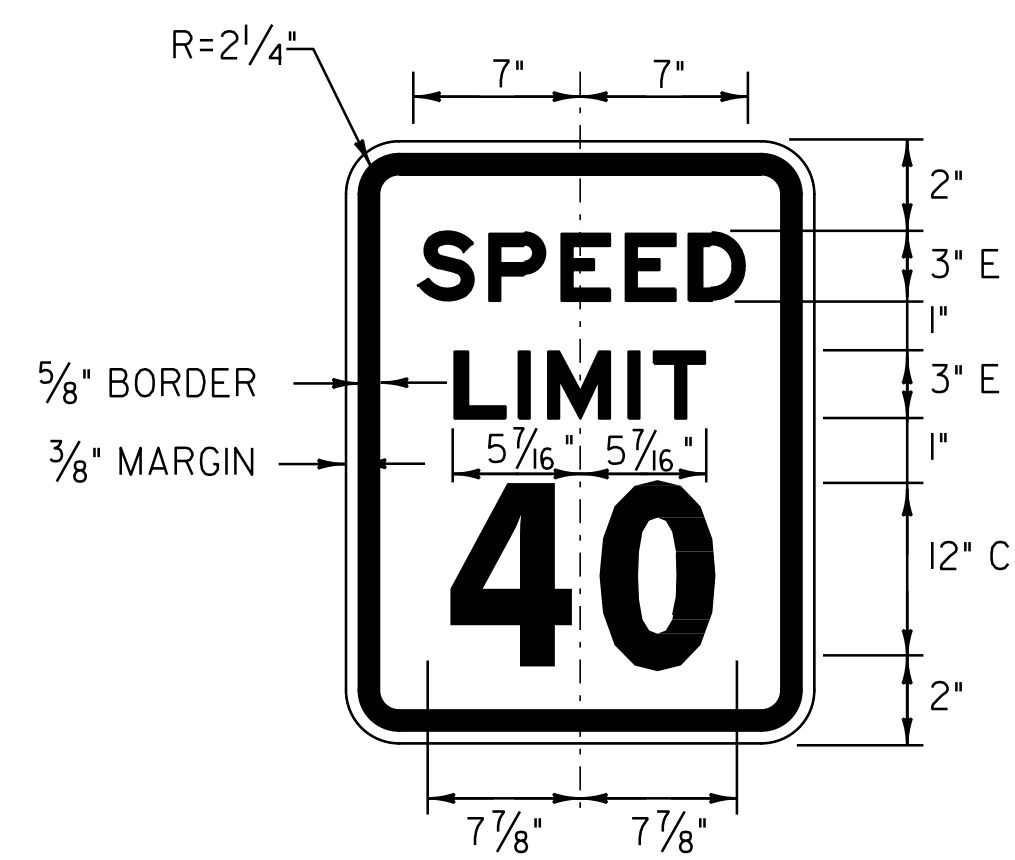
COLOR: BLACK BORDER & LEGEND
YELLOW BACKGROUND (RETROREFLECTIVE)

MATERIAL: PER VAOT STANDARD E-151

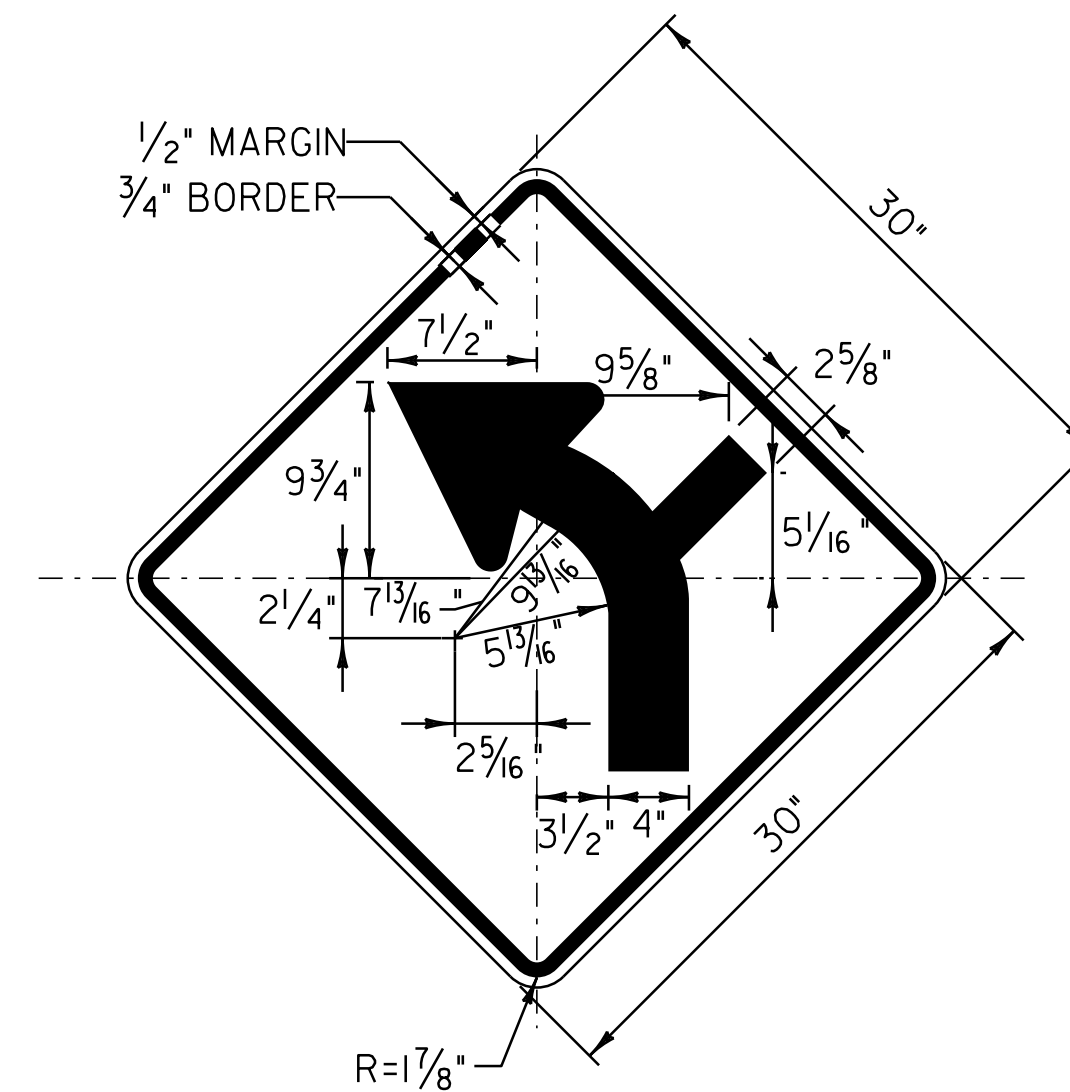
LOCATION: VT. ROUTE 4A
FAIR HAVEN:
STA 45+50.0, RT
STA 137+32.0, LT
STA 149+57.0, LT
STA 166+74.0, RT



COLOR: BLACK BORDER & TEXT
WHITE BACKGROUND (RETROREFLECTIVE)



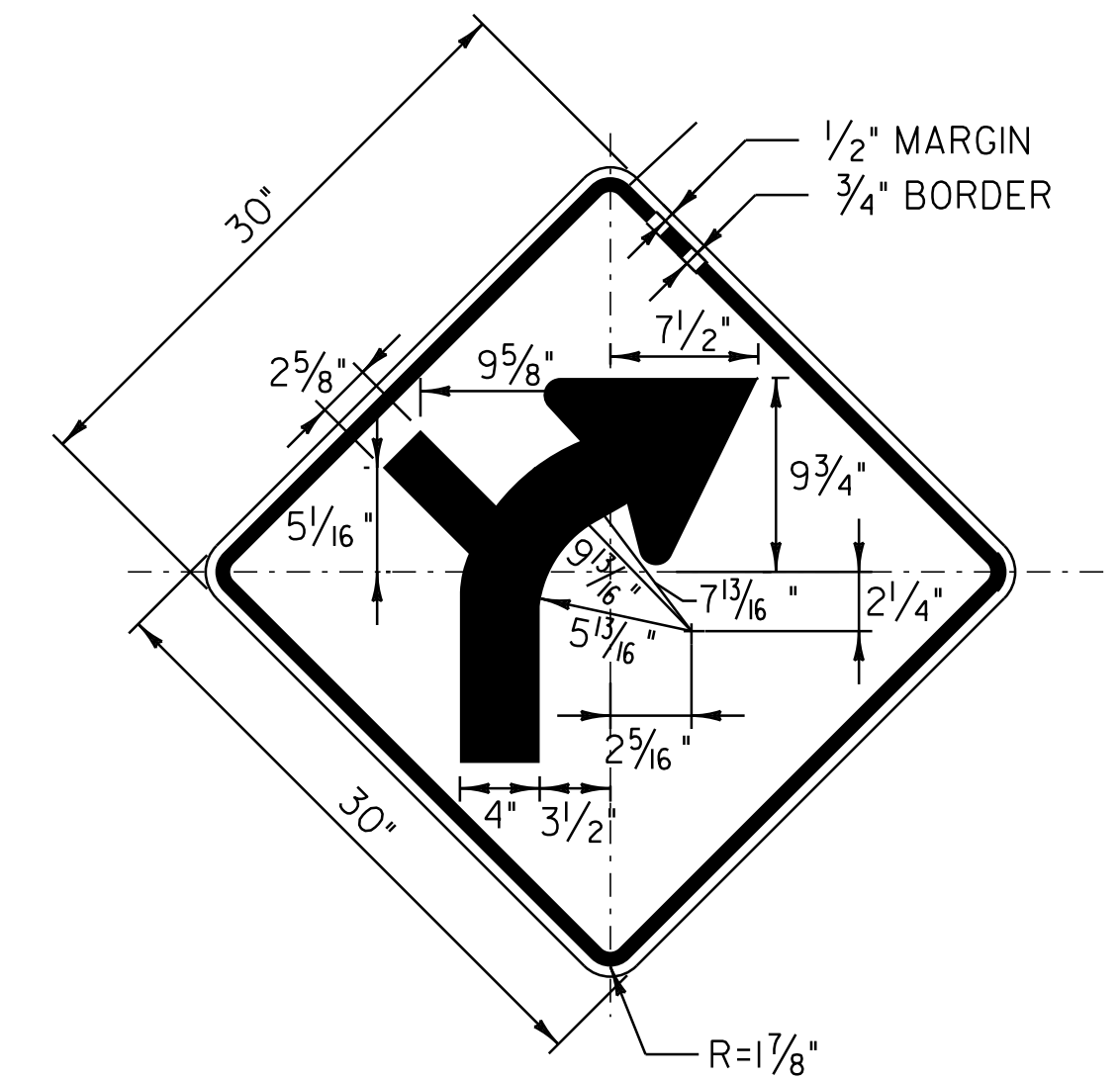
COLOR: BLACK BORDER & TEXT
WHITE BACKGROUND (RETROREFLECTIVE)



COLOR: BLACK BORDER & LEGEND
YELLOW BACKGROUND (RETROREFLECTIVE)

MATERIAL: PER VAOT STANDARD E-151

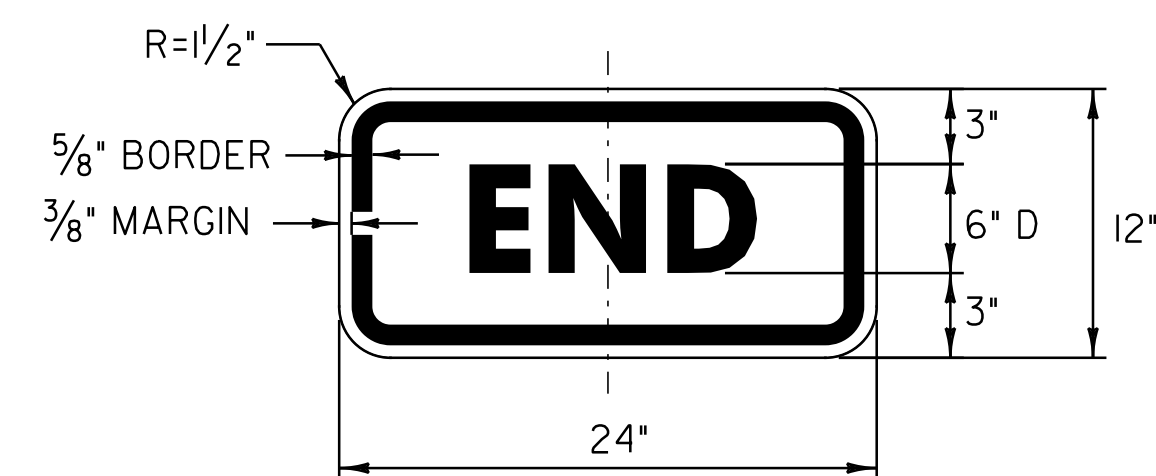
LOCATION: VT. ROUTE 4A
FAIR HAVEN:
STA 23+81.0, RT



COLOR: BLACK BORDER & LEGEND
YELLOW BACKGROUND (RETROREFLECTIVE)

MATERIAL: PER VAOT STANDARD E-151

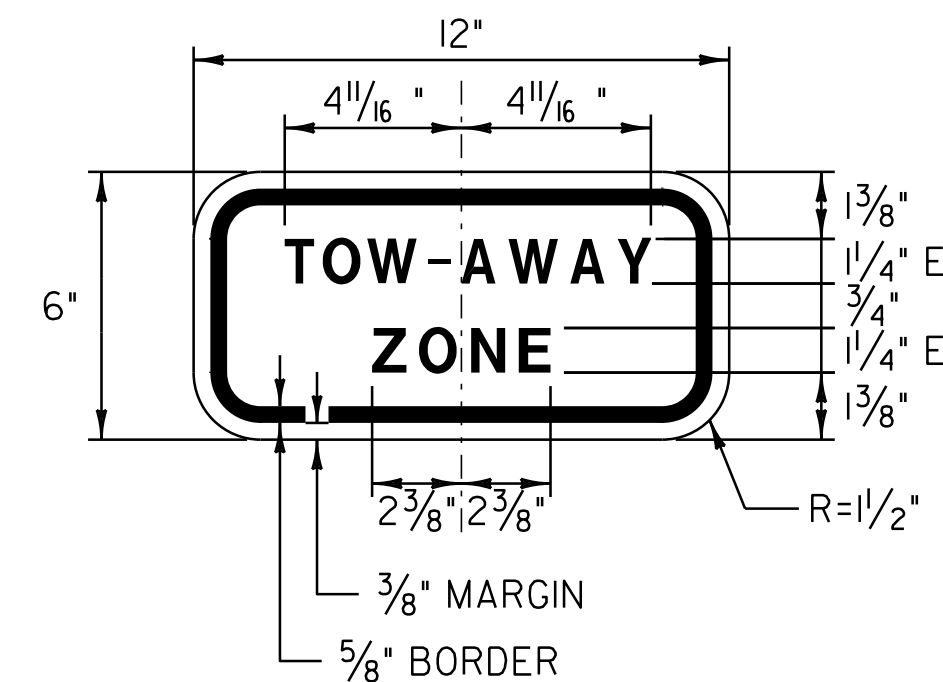
LOCATION: VT. ROUTE 4A
FAIR HAVEN:
STA 35+18.0, LT



COLOR: GREEN BORDER & TEXT (RETROREFLECTIVE)
WHITE BACKGROUND (RETROREFLECTIVE)

MATERIAL: PER VAOT STANDARD E-136B

LOCATION: VT. ROUTE 4A
FAIR HAVEN:
STA 6+24.0, LT



COLOR: RED LEGEND (RETROREFLECTIVE)
WHITE BACKGROUND (RETROREFLECTIVE)

MATERIAL: PER VAOT STANDARD E-143

LOCATION: VT. ROUTE 4A
FAIR HAVEN:
STA 9+53.0, RT
STA 9+53.0, RT

NOT TO SCALE

TRAFFIC
SIGN
DETAIL
SHEET #1

PROJECT NAME: FAIR HAVEN - CASTLETON
PROJECT NUMBER: STP HES 2614(0)S

FILE NAME: p06c058.dgn
PROJECT LEADER: D.E.G.
DESIGNED BY: M.J.M.
IPARM FILE: p06c058+sd.i

PLOT DATE: 22-FEB-2012 12:51
DRAWN BY: C.A.K.
CHECKED BY: D.E.G.
SHEET 70 OF 157