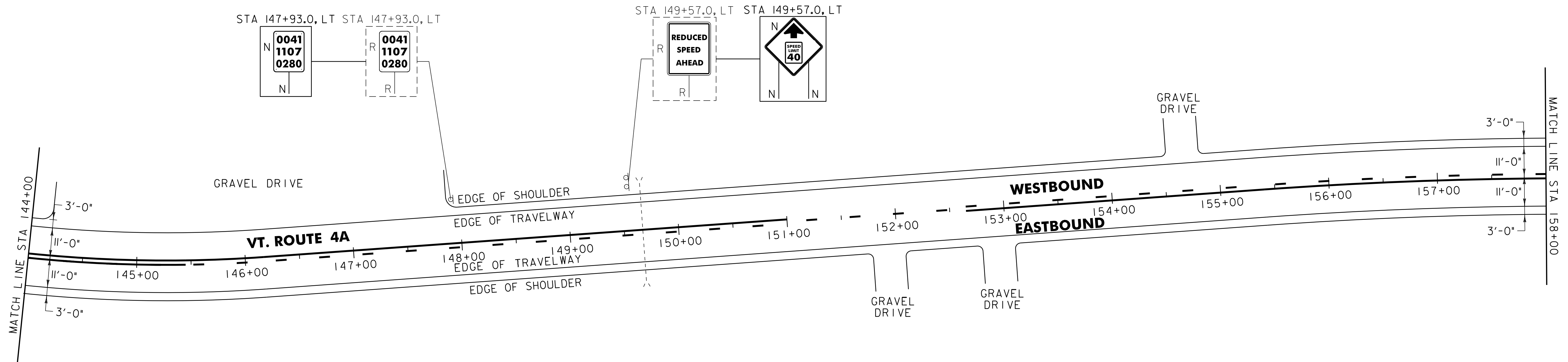


646.402 DURABLE 4 INCH WHITE LINE, THERMOPLASTIC
(ALL LINES WILL INCLUDE EDGE LINE BREAKS AND
RADIUS FOR TOWN HIGHWAYS)
FAIR HAVEN:
STA 144+00.00 - STA 158+00.00 LT & RT

646.602 TEMPORARY 4 INCH WHITE LINE, PAINT
(ALL LINES WILL INCLUDE EDGE LINE BREAKS AND
RADIUS FOR TOWN HIGHWAYS)
FAIR HAVEN:
STA 144+00.00 - STA 158+00.00 LT & RT

646.412 DURABLE 4 INCH YELLOW LINE, THERMOPLASTIC
(ALL LINES WILL INCLUDE C/L BREAKS FOR
TOWN HIGHWAYS) S=SOLID, D=DASHED
FAIR HAVEN:
STA 144+00.00 - STA 145+45.00 S - S
STA 145+45.00 - STA 151+00.00 S - D
STA 151+00.00 - STA 152+65.00 - D -
STA 152+65.00 - STA 158+00.00 D - S

646.612 TEMPORARY 4 INCH YELLOW LINE, PAINT
(ALL LINES WILL INCLUDE C/L BREAKS FOR
TOWN HIGHWAYS) S=SOLID, D=DASHED
FAIR HAVEN:
STA 144+00.00 - STA 145+45.00 LT @ RT S - S
STA 145+45.00 - STA 151+00.00 S - D
STA 151+00.00 - STA 152+65.00 - D -
STA 152+65.00 - STA 158+00.00 D - S



SIGN LEGEND
 R = REMOVE
 S = SALVAGE
 N = NEW
 RET = RETAIN
 B-B = BACK TO BACK
 EXISTING = - - - - -
 NEW = _____

| | | |
|--------------------------------|--------------------------------------|-----------------------------|
| PROJECT LAYOUT SHEET #7 | NOT TO SCALE | |
| | PROJECT NAME: FAIR HAVEN - CASTLETON | |
| | PROJECT NUMBER: STP HES 2614(1)S | |
| | FILE NAME: p06c058.dgn | PLOT DATE: 22-FEB-2012 12:4 |
| PROJECT LEADER: D.E.G. | DRAWN BY: C.A.K. | |
| DESIGNED BY: M.J.M. | CHECKED BY: D.E.G. | |
| IPARM FILE: p06c058107.i | SHEET 28 OF 157 | |