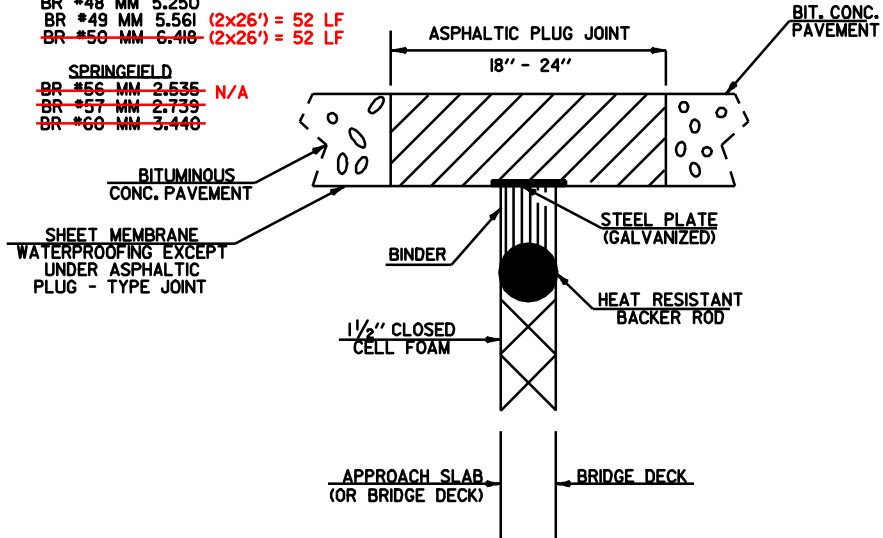


BRIDGE COLD PLANE DETAIL

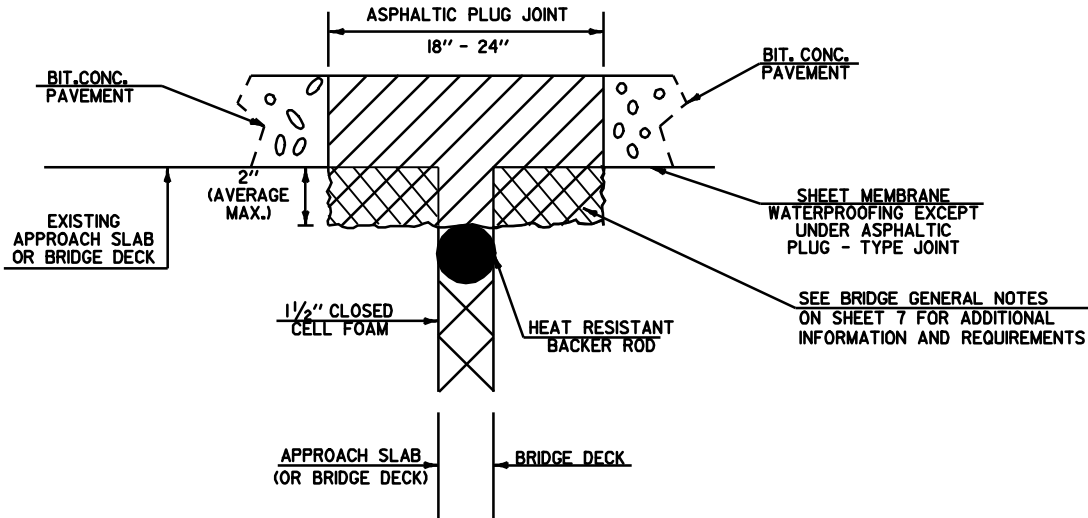
NOT TO SCALE

- CHESTER
- BR #48 MM 5.250
- BR #49 MM 5.561 (2x26') = 52 LF
- ~~BR #50 MM 6.418 (2x26') = 52 LF~~
- SPRINGFIELD
- BR #56 MM 2.535 N/A
- ~~BR #57 MM 2.739~~
- ~~BR #60 MM 3.440~~



ASPHALTIC PLUG - TYPE JOINT DETAIL

NOT TO SCALE



ASPHALTIC PLUG - TYPE JOINT DETAIL

REMOVAL OF UP TO 2" DETERIORATED CONCRETE

NOT TO SCALE

**BRIDGE
DETAILS
SHEET #1**

PROJECT NAME: CHESTER - SPRINGFIELD
PROJECT NUMBER: ST 2612 (I)

FILE NAME: ...06C054\...06C054.dgn PLOT DATE: 18-MAY-2009 10:4
PROJECT MANAGER: T. DOMEY DRAWN BY: HUNT
DESIGNED BY: HUNT CHECKED BY: PAVT MGMT
IPARM FILE NAME: 06C054bdl.I SHEET 6 OF 12