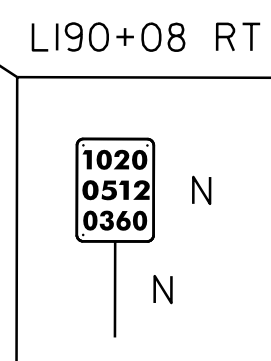
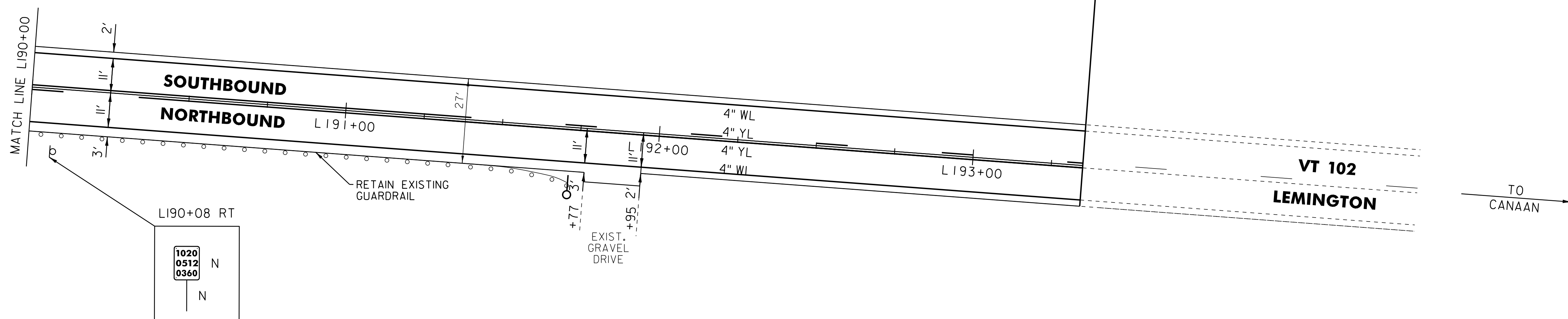


646.602 TEMPORARY 4" WHITE LINE, PAINT  
 646.402 DURABLE 4" WHITE LINE, THERMOPLASTIC OR  
 646.403 DURABLE 4" WHITE LINE, EPOXY PAINT OR  
 646.404 DURABLE 4" WHITE LINE, POLYUREA,  
 L190+00 TO L193+35.36 SOLID LT & RT

646.612 TEMPORARY 4" YELLOW LINE, PAINT  
 646.412 DURABLE 4" YELLOW LINE, THERMOPLASTIC OR  
 646.413 DURABLE 4" YELLOW LINE, EPOXY PAINT OR  
 646.414 DURABLE 4" YELLOW LINE, POLYUREA,  
 L190+00 TO L190+34 SOLID LT, DASHED RT  
 L190+34 TO L191+40 SOLID LT & RT  
 L191+40 TO L193+35.36 DASHED LT & RT

900.620 SPECIAL PROVISION  
 (DELINEATOR WITH STEEL POST)  
 L191+72 RT

**VT 102**  
**L193+35.36**  
**(MM 3.662)**  
**END PROJECT**  
**STP 2610(1)**  
**END LEVEL**  
**& OVERLAY**



- LEGEND**
- R = REMOVE EXISTING
  - S = SALVAGE
  - R&S = REMOVE AND SALVAGE
  - N = NEW
  - RET = RETAIN
  - B-B = BACK TO BACK
  - = EXISTING GUARDRAIL
  - = PROPOSED GUARDRAIL
  - YL = YELLOW LINE
  - WL = WHITE LINE
  - = DELINEATOR

**ROADWAY LAYOUT 56**

PROJECT NAME: BLOOMFIELD-LEMINGTON

PROJECT NUMBER: STP 2610(1)

FILE NAME: /pave/06c052/pc052

PROJECT LEADER: PTS

DESIGNED BY: NLL

IPARM FILE NAME: 06C052\_70

PLOT DATE: 19-JUN-2013 17:00

DRAWN BY: SNG

CHECKED BY: PTS

SHEET 70 OF 82

NOT TO SCALE