

646.602 TEMPORARY 4" WHITE LINE, PAINT
 646.402 DURABLE 4" WHITE LINE, THERMOPLASTIC OR
 646.403 DURABLE 4" WHITE LINE, EPOXY PAINT OR
 646.404 DURABLE 4" WHITE LINE, POLYUREA,
 L58+50 TO L69+50 SOLID LT & RT

646.612 TEMPORARY 4" YELLOW LINE, PAINT
 646.412 DURABLE 4" YELLOW LINE, THERMOPLASTIC OR
 646.413 DURABLE 4" YELLOW LINE, EPOXY PAINT OR
 646.414 DURABLE 4" YELLOW LINE, POLYUREA,
 L58+50 TO L63+35 SOLID LT, DASHED RT
 L63+35 TO L69+50 DASHED LT, SOLID RT

621.205 STEEL BEAM GUARDRAIL,
 GALVANIZED W/8' POSTS
 L58+50 TO L59+86 RT

621.50 MANUFACTURED
 TERMINAL SECTION, FLARED
 L59+86 TO L60+23.5 RT

621.80 REMOVAL AND DISPOSAL OF GUARDRAIL
 L58+50 TO L60+04 RT

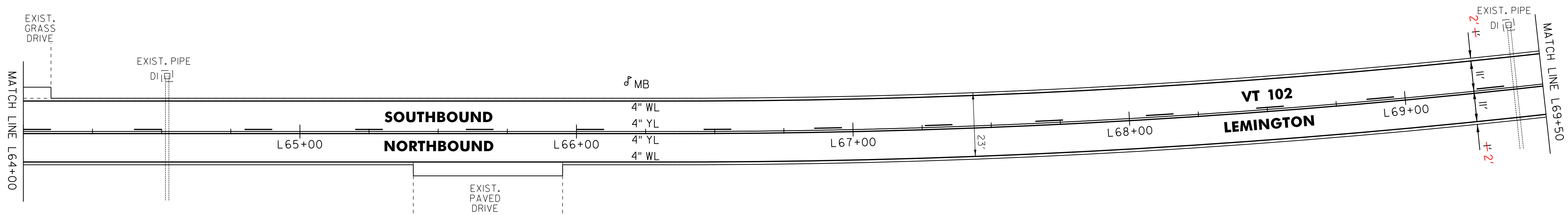
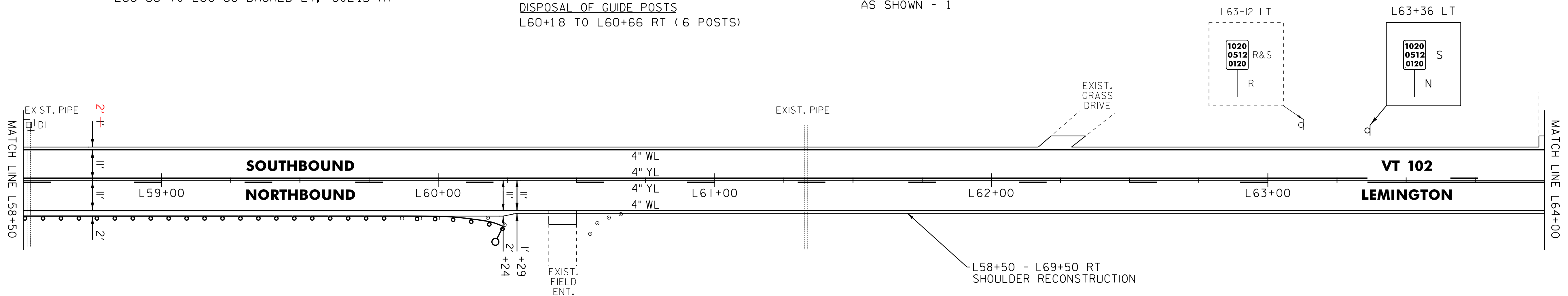
621.81 REMOVAL AND
 DISPOSAL OF GUIDE POSTS
 L60+18 TO L60+66 RT (6 POSTS)

900.620 SPECIAL PROVISION
 (DELINEATOR WITH STEEL POST)
 L60+23.5 RT

617.10 RELOCATE MAILBOX, SINGLE SUPPORT
 L66+18 LT

675.50 REMOVING SIGNS
 AS SHOWN - 1

675.60 ERECTING SALVAGED SIGNS
 AS SHOWN - 1



LEGEND

- R = REMOVE EXISTING
- S = SALVAGE
- R&S = REMOVE AND SALVAGE
- N = NEW
- RET = RETAIN
- B-B = BACK TO BACK
- = EXISTING GUARDRAIL
- = PROPOSED GUARDRAIL
- YL = YELLOW LINE
- WL = WHITE LINE
- = DELINEATOR

ROADWAY LAYOUT 41

PROJECT NAME: BLOOMFIELD-LEMINGTON

PROJECT NUMBER: STP 2610(I)

FILE NAME: /pave/06c052/pc052

PROJECT LEADER: PTS

DESIGNED BY: NULL

IPARM FILE NAME: 06C052.55

PLOT DATE: 19-JUN-2013 17:00

DRAWN BY: SNG

CHECKED BY: PTS

SHEET 55 OF 82

NOT TO SCALE