

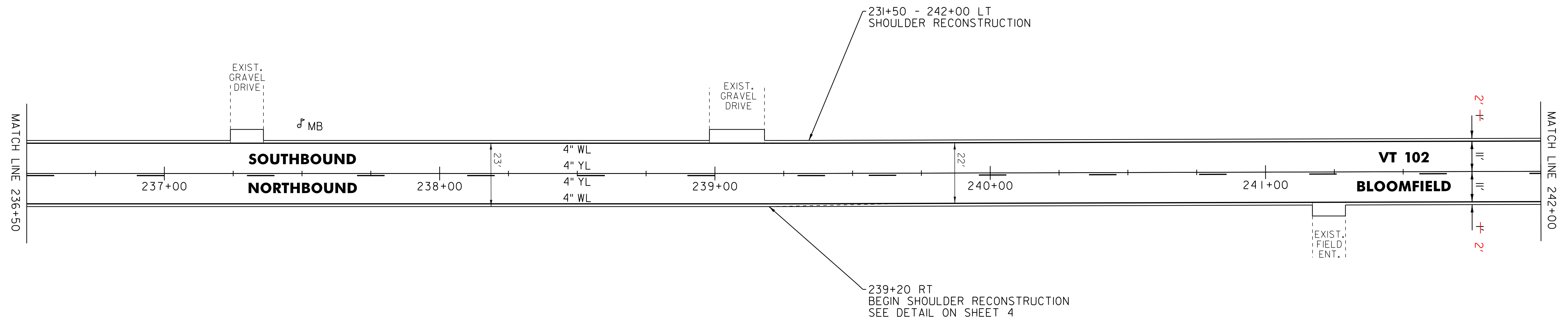
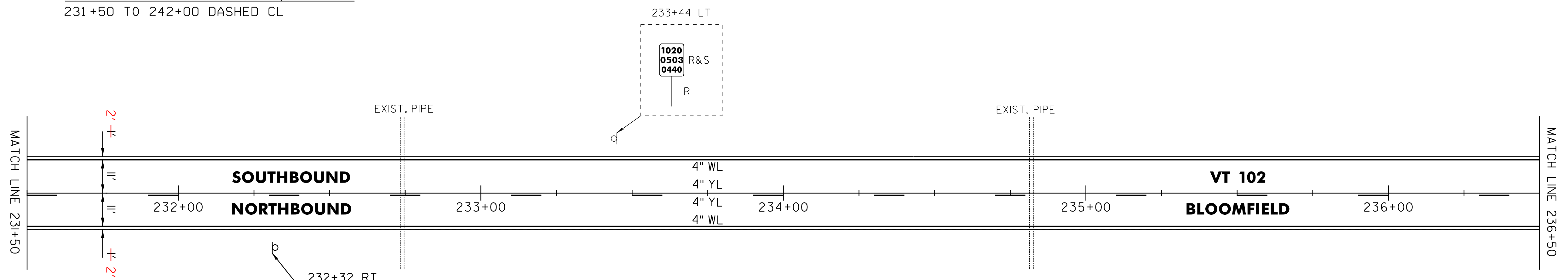
646.602 TEMPORARY 4" WHITE LINE, PAINT  
 646.402 DURABLE 4" WHITE LINE, THERMOPLASTIC OR  
 646.403 DURABLE 4" WHITE LINE, EPOXY PAINT OR  
 646.404 DURABLE 4" WHITE LINE, POLYUREA,  
 231+50 TO 242+00 SOLID LT & RT

646.612 TEMPORARY 4" YELLOW LINE, PAINT  
 646.412 DURABLE 4" YELLOW LINE, THERMOPLASTIC OR  
 646.413 DURABLE 4" YELLOW LINE, EPOXY PAINT OR  
 646.414 DURABLE 4" YELLOW LINE, POLYUREA,  
 231+50 TO 242+00 DASHED CL

617.10 RELOCATE MAILBOX, SINGLE SUPPORT  
 237+49 LT

675.50 REMOVING SIGNS  
 AS SHOWN - 1

675.60 ERECTING SALVAGED SIGNS  
 AS SHOWN - 1



NOT TO SCALE

**LEGEND**

R	=	REMOVE EXISTING
S	=	SALVAGE
R&S	=	REMOVE AND SALVAGE
N	=	NEW
RET	=	RETAIN
B-B	=	BACK TO BACK
— —	=	EXISTING GUARDRAIL
— —	=	PROPOSED GUARDRAIL
— —	=	YELLOW LINE
— —	=	WHITE LINE
— —	=	DELINEATOR

**ROADWAY LAYOUT 23**

PROJECT NAME: BLOOMFIELD-LEMINGTON	
PROJECT NUMBER: STP 2610(I)	
FILE NAME: /pave/06c052/pc052	PLOT DATE: 19-JUN-2013 16:59
PROJECT LEADER: PTS	DRAWN BY: SNG
DESIGNED BY: NULL	CHECKED BY: PTS
IPARM FILE NAME: 06C052_37	SHEET 37 OF 82