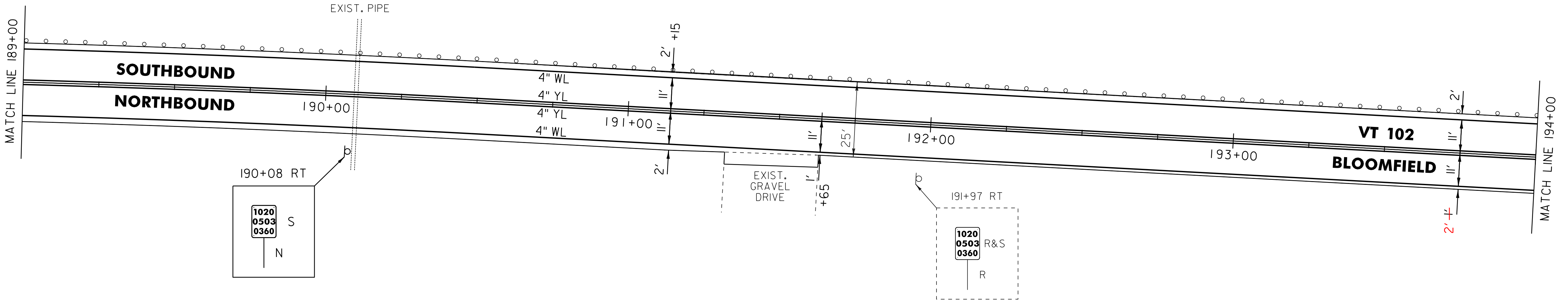
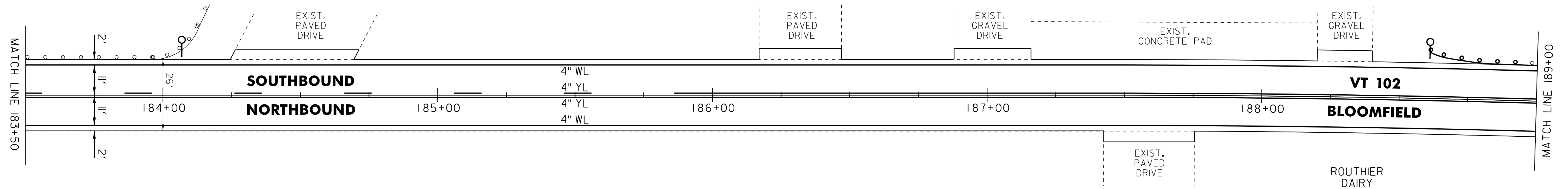


646.602 TEMPORARY 4" WHITE LINE, PAINT
 646.402 DURABLE 4" WHITE LINE, THERMOPLASTIC OR
 646.403 DURABLE 4" WHITE LINE, EPOXY PAINT OR
 646.404 DURABLE 4" WHITE LINE, POLYUREA,
 183+50 TO 194+00 SOLID LT & RT
 646.612 TEMPORARY 4" YELLOW LINE, PAINT
 646.412 DURABLE 4" YELLOW LINE, THERMOPLASTIC OR
 646.413 DURABLE 4" YELLOW LINE, EPOXY PAINT OR
 646.414 DURABLE 4" YELLOW LINE, POLYUREA,
 183+50 TO 185+86 DASHED LT & SOLID RT
 185+86 TO 194+00 SOLID LT & RT

621.50 MANUFACTURED
 TERMINAL SECTION, FLARED
 188+61 TO 188+98.5 LT
 621.80 REMOVAL AND DISPOSAL OF GUARDRAIL
 188+61 TO 188+98.5 LT
 900.620 SPECIAL PROVISION
 (DELINEATOR WITH STEEL POST)
 184+07 LT
 188+61 LT

675.50 REMOVING SIGNS
 AS SHOWN - 1
 675.60 ERECTING SALVAGED SIGNS
 AS SHOWN - 1



NOT TO SCALE

- LEGEND**
- R = REMOVE EXISTING
 - S = SALVAGE
 - R&S = REMOVE AND SALVAGE
 - N = NEW
 - RET = RETAIN
 - B-B = BACK TO BACK
 - = EXISTING GUARDRAIL
 - = PROPOSED GUARDRAIL
 - YL = YELLOW LINE
 - WL = WHITE LINE
 - = DELINEATOR

ROADWAY LAYOUT 18

PROJECT NAME: BLOOMFIELD-LEMINGTON
 PROJECT NUMBER: STP 2610(I)
 FILE NAME: /pave/06c052/pc052
 PROJECT LEADER: PTS
 DESIGNED BY: NLL
 IPARM FILE NAME: 06C052_32

PLOT DATE: 19-JUN-2013 16:59
 DRAWN BY: SNG
 CHECKED BY: PTS
 SHEET 32 OF 82